

quality . service  
innovation . integrity

# Model K137



## Features

This product is not available in North America.

The Flow-Mate model submersible pump is designed for use in residential or light commercial dewatering applications and can be used to transfer groundwater or effluent. This durable cast iron pump includes a powder coated epoxy finish to prevent corrosion and is designed to provide great heat dissipation from the motor, ensuring a long service life. As with every Zoeller® pump, each one is 100% pressure-tested, submerged and run to ensure quality and reliability for years of trouble-free performance! This attention to detail is an inherent feature of every pump, making it one of the most reliable in the industry.

- Variable level control systems and containers of various sizes are available for longer cycles.
- Includes a stainless steel handle for easy installation and removal.
- Hermetically sealed to be watertight, dust-tight, and completely submersible.

## Specifications

### Motor Characteristics

Motor	0.8 KW
Voltage	380 V
Phase	3 Ph
Hertz	60 Hz
RPM	1725 RPM
Type	3 phase
Insulation	Class B
Amps	1.5 Amps

### Pump Characteristics

Operation	Nonautomatic
Discharge Size	1-1/2" NPT
Solids Handling	15 mm (5/8") spherical solids
Cord Length	5 m (15') standard
Cord Type	16-4 SOW
Max Head	8 m (26')
Max Flow Rate	352 LPM (93 GPM)
Max Operating Temp	54°C (130°F)
Cooling	Oil filled
Motor Protection	IPX8

### Materials Characteristics

Cap	Cast iron
Motor Housing	Cast iron
Pump Housing	Cast iron
Base	Cast iron
Upper Bearing	Ball bearing
Lower Bearing	Ball bearing
Mechanical Seals	Carbon and ceramic
Impeller Type	Non-clogging vortex
Impeller	Cast iron
Hardware	Stainless steel
Motor Shaft	AISI 1215 cold roll steel
Gasket	Neoprene

60 Hz



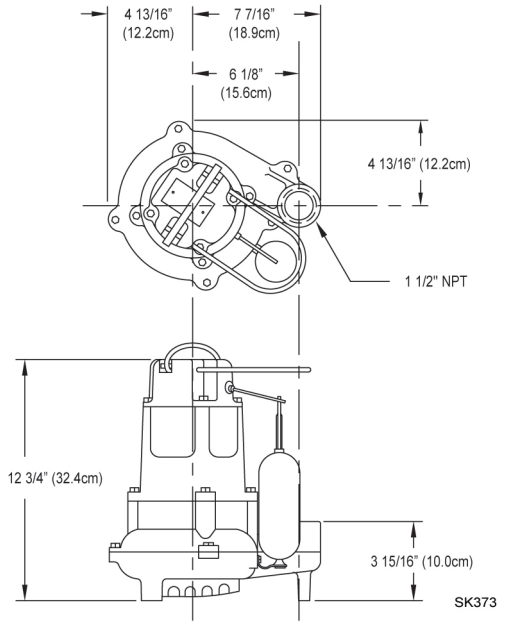
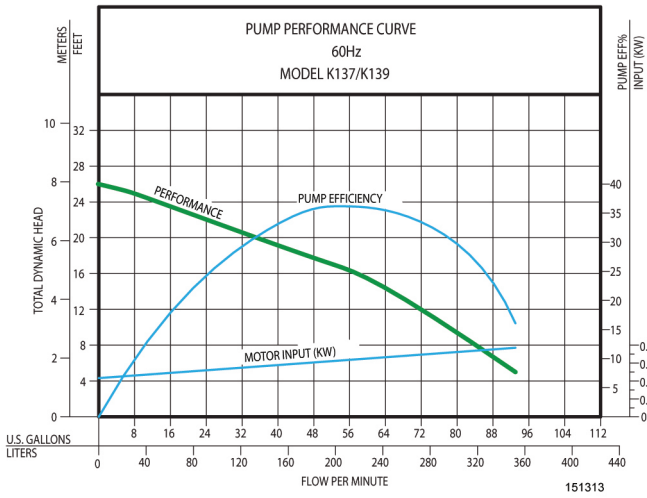
POWDER  
COATED  
TOUGH



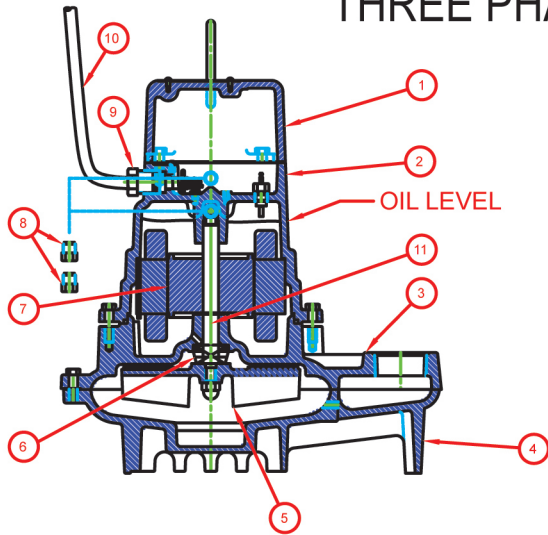
**PUMP COMPANY**

Zoeller Family of Water Solutions™

# Model K137



## THREE PHASE



ITEM	DESCRIPTION	MATERIAL	QTY.
1	COVER HOUSING	ASTM A-48 CAST IRON/CLASS 30	1
2	MOTOR HOUSING	ASTM A-48 CAST IRON/CLASS 30	1
3	PUMP HOUSING	ASTM A-48 CAST IRON/CLASS 30	1
4	BASE	ASTM A-48 CAST IRON/CLASS 30	1
5	VORTEX IMPELLER	ASTM A-48 CAST IRON/CLASS 30	1
6	SHAFT SEAL	CARBON/CERAMIC	1
7	MOTOR - ROTOR AND STATOR	SQUIRREL CAGE INDUCTION	1
8	OIL FILL AND TEST PLUGS	1/8-27 N.P.T.	2
9	CORD SEAL	NEOPRENE	1
10	POWER CORD	16-4 SOW	1
11	SHAFT	AISI 1215	1

SK2973

## Model

Model Number	Seal	Mode	Volts	Phase	Amps	KW (p1)	Hz	Lbs	Kg
K137	Single	Non	380	3	1.5	0.8	60	47	21

Note: This product is not available in North America.

**Your Peace of Mind is Our Top Priority®**  
 3649 Cane Run Rd | Louisville, KY 40211 USA  
 +1 502-778-2731 | 1-800-928-7867 | Fax: +1 502-774-3624  
[www.zoeller.com](http://www.zoeller.com)