

quality . service
innovation . integrity

Model 211



Features

The "Aqua-Mate" series of submersible pumps is designed for use in residential or light commercial dewatering and wastewater applications and can be used to transfer effluent or raw sewage. The innovative vortex impeller design reduces the risk of clogging and allows each pump to pass 2" (50 mm) spherical solids. These pumps are constructed of a non-corrodible engineered plastic motor housing, pump housing, base and impeller. All models are constructed with all stainless steel screws, and automatic models feature a stainless steel switch arm and a solid polypropylene float. As with every Zoeller pump, each one is 100% pressure-tested, submerged and run to ensure quality and reliability for years of trouble-free performance! This attention to detail is an inherent feature of every pump in this series, making it one of the most reliable in the industry.

- Automatic models include a float-operated, 2-pole mechanical switch, a stainless steel switch arm and a solid, buoyant polypropylene float, which prevents water from filling the float and causing a malfunction.
- Includes an engineered plastic lifting bracket for easy installation and removal.
- All models are hermetically sealed to be watertight, dust-tight, and completely submersible.

Reserve Powered Design: For unusual conditions, a reserve safety factor is engineered into the design of every pump.

Specifications

Motor Characteristics

Motor	4/10 HP
Voltage	115 V
Phase	1 Ph
Hertz	60 Hz
RPM	3400 RPM
Type	Permanent split capacitor
Insulation	Class B
Amps	5.5 Amps

Pump Characteristics

Operation	Automatic or nonautomatic
Auto On/ Off Points	13" / 5-3/4" (33 cm / 14.6 cm)
Discharge Size	2" NPT
Solids Handling	2" (50 mm) spherical solids
Cord Length	15' (5 m) standard
Cord Type	UL listed, 3-prong plug
Max Head	19.5' (5.9 m)
Max Flow Rate	82 GPM (310 LPM)
Max Operating Temp	110° F (43° C)
Cooling	Oil free
Motor Protection	Auto reset thermal overload

Materials Characteristics

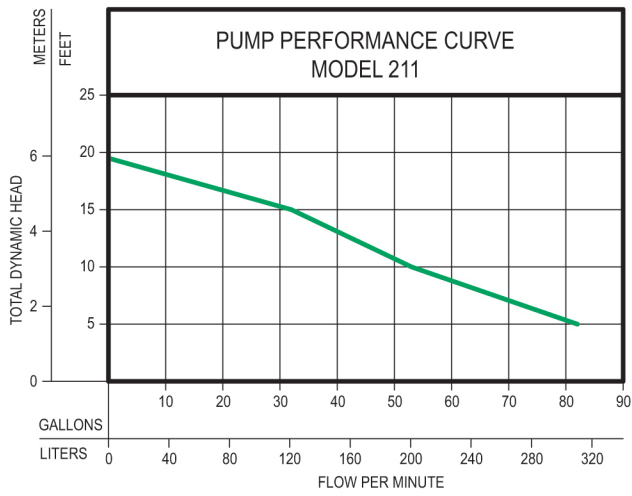
Motor Housing	Engineered plastic
Pump Housing	Engineered plastic
Base	Engineered plastic
Upper Bearing	Ball bearing
Lower Bearing	Ball bearing
Mechanical Seals	Carbon and ceramic
Impeller Type	Non-clogging vortex
Impeller	Engineered plastic
Hardware	Stainless steel
Motor Shaft	410 stainless steel
Gasket	Buna-N O-Ring



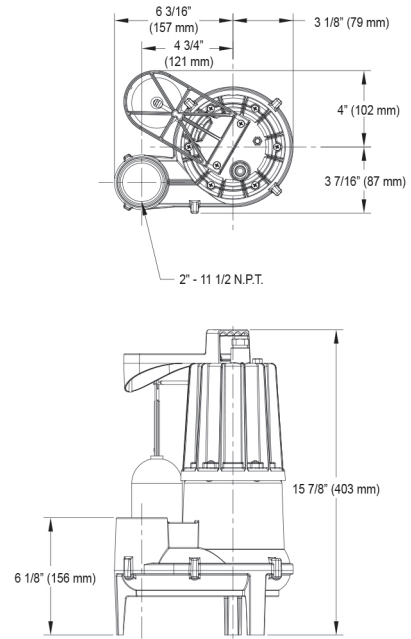
PUMP COMPANY

Zoeller Family of Water Solutions™

Model 211



014718



SK2092

Model

Model Number	Seal	Mode	Volts	Phase	Amps	HP	Hz	Lbs	Kg
M211	Single	Auto	115	1	5.5	4/10	60	12	5
N211	Single	Non	115	1	5.5	4/10	60	12	5
BN211	Single	Auto	115	1	5.5	4/10	60	15	7

Your Peace of Mind is Our Top Priority®
3649 Cane Run Rd | Louisville, KY 40211 USA

+1 502-778-2731 | 1-800-928-7867 | Fax: +1 502-774-3624

www.zoeller.com