

Product information presented here reflects conditions at time of publication. Consult factory regarding discrepancies or inconsistencies.



PUMP COMPANY

Zoeller Family of Water Solutions™

MAIL TO: P.O. BOX 16347 • Louisville, KY 40256-0347
SHIP TO: 3649 Cane Run Road • Louisville, KY 40211-1961
(502) 778-2731 • 1 (800) 928-PUMP • FAX (502) 774-3624

visit our web site:
www.zoeller.com

2000 SERIES HIGH TEMPERATURE INTERMITTENT PUMPS

SUBMERSIBLE PUMPS FOR USE IN DEWATERING APPLICATIONS

INTERMITTENT USE UP TO 200 DEGREES F.

COMPARE THESE FEATURES

- All models are designed to meet specifications with assurance by using high temperature parts rated for intermittent 200°F contact.
- High temperature switch components rated for intermittent service up to 200°F
- Available in a variety of styles and performances:
 - 3/10 HP to 1/2 HP
 - 115 volts or 230 volts, single phase
 - 1-1/2", 2" or 3" discharge
- Pump cord length for all models is 15'

ALL MODELS ARE BUILT TO LAST

- 15 ft. high temperature 16 gauge heavy-duty SOOW cordage.
- High temperature motor leads and thermal overload protection
- Non-clog vortex impeller design
- Corrosion-resistant powder coated epoxy finish
- 10 ft. cord, high temperature, adjustable, float operated, mechanical switch mounts directly to the discharge pipe (BN & BE Models)
- Adjustable float switch is not intended for continuous contact with 200°F water
- All stainless steel fittings
- 100% factory tested and approved

TYPICAL APPLICATIONS:

- Boiler blow-down
- Hot water transfer
- Plant wash-down
- Transformer vaults
- Industrial steam cleaning



2057 Nonautomatic with HT Float Switch



2282 Nonautomatic with HT Float Switch

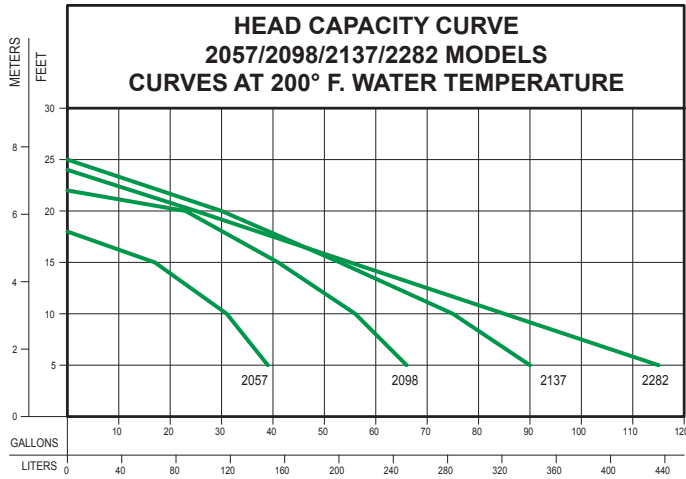
AVAILABLE IN THE FOLLOWING MODELS

Model	Mode**	HP	Discharge	Solid	Volts	Ph	Material	Amps	Model	Mode**	HP	Discharge	Solid	Volts	Ph	Material	Amps
BN2057	Auto	.3	1-1/2"	1/2"	115V	1	Cast Iron	9.7	BN2137	Auto	1/2	1-1/2"	5/8"	115V	1	Cast Iron	10.7
BE2057	Auto	.3	1-1/2"	1/2"	230V	1	Cast Iron	4.8	BE2137	Auto	1/2	1-1/2"	5/8"	230V	1	Cast Iron	5.8
BN2098	Auto	1/2	1-1/2"	1/2"	115V	1	Cast Iron	9.4	BN2282	Auto	1/2	2" (3")*	2"	115V	1	Cast Iron	10.3
BE2098	Auto	1/2	1-1/2"	1/2"	230V	1	Cast Iron	4.7	BE2282	Auto	1/2	2" (3")*	2"	230V	1	Cast Iron	5.0

* Specify 2" or 3" discharge size (i.e. M2282 with 3" discharge).

** All pumps are nonautomatic with a high temperature piggyback float switch.

PERFORMANCE DATA

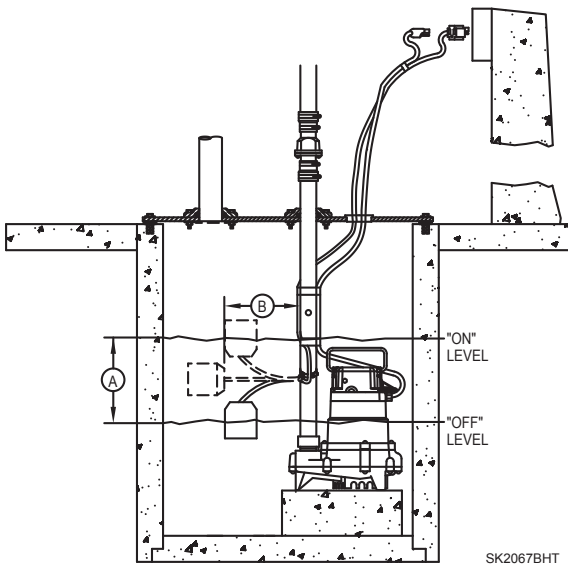


TOTAL DYNAMIC HEAD/FLOW PER MINUTE EFFLUENT AND DEWATERING

MODEL	2057		2098		2137		2282		
	Feet	Meters	Gal.	Liters	Gal.	Liters	Gal.	Liters	
5	1.5	39	148	66	250	90	341	115	435
10	3.0	31	117	56	212	75	284	85	322
15	4.6	17	64	41	155	53	201	55	208
20	6.1	--	--	23	87	30	114	25	95
Shut-off Head:		18 ft.(5.5m)		22 ft.(6.7m)		25 ft.(7.6m)		24 ft.(7.3m)	

014036

SWITCH DATA



Tether "B"	Range "A"
4	6.5
6	8
8	10.5
10	14
12	18
14	22
16	26

SK2175B

- 16-gauge (2) conductor SOOW switch cordage
- Float housing constructed of high impact ABS
- 13 Amps (max) steady state
- Intermittent direct contact with up to 200°F water
- Turbulence-resistant float switch
- Adjustable pumping range (see chart)
- Unlimited repetitive exposures are permissible for applications below 180°F

