



## Changing the Landscape for waiting areas

[www.zoeflig.com](http://www.zoeflig.com)



# Landscape

# ● Landscape



Landscape seating, whatever the setting

Over 45 years' experience

The Zoeftig name has long been synonymous with innovation and the highest possible quality standards. And now this commitment to finding new and better solutions has been strengthened with Zoeftig becoming part of the renowned Figueras International Seating Group.

Zoeftig leads the way in the design of seating for the terminal market and transport waiting areas, as well as offering a full range of products and services for waiting areas in the healthcare, judicial and government markets. While Figueras is the world's leading specialist in seating for auditoriums, performing arts arenas, VIP stadiums and cinemas. Together, they provide an unrivalled combination of seating system experience and expertise, along with an enhanced range of products and services.

Over the years, Zoeftig's pioneering seating products have revolutionised the industry and can be found in airports, railway stations, bus depots, cruise and ferry terminals and waiting rooms the world over.

Landscape further enhances our reputation for being right at the very forefront of seating system design. The result of a collaboration between design partner Emiliana Design and renowned architect, Batlle i Roig, Landscape is a stunning new modular bench that stands out from the crowd with its pure lines, clean edges, distinctive shape and eye-catching materials.

With its unique and individual styling, Landscape is all set to change the way passengers interact within a waiting area.

# The modular seat giving you more scope

Seating setting the flexible standard



01 Landscape with wood backrest and wood bench/table



01

## 02 Landscape is all about freedom and flexibility

**Its modularity facilitates a whole host of different combinations and configurations, enabling you to refine and adapt your solution to suit any type of space, and create your very own unique design.**

Thanks to a structure comprising double aluminum profiles fixed to ground supports, capable of carrying any number of different elements or accessories, Landscape can accommodate even your most specific requirements. Whether you're looking to incorporate a particular type of seat or a backrest, an armrest or a table, information panels or signage, a bin or even a planter, Landscape gives you the scope to tailor a solution unique to you – resulting in a waiting room experience quite unlike any other.



02

01 Landscape back to back system options

02 Landscape upholstered system options with armrest

# Sit down, power up

Powerful solutions



Back to back end cover with power



01

- 01 Boost table top power
- 02 Boost under seat power
- 03 Boost under table power



02

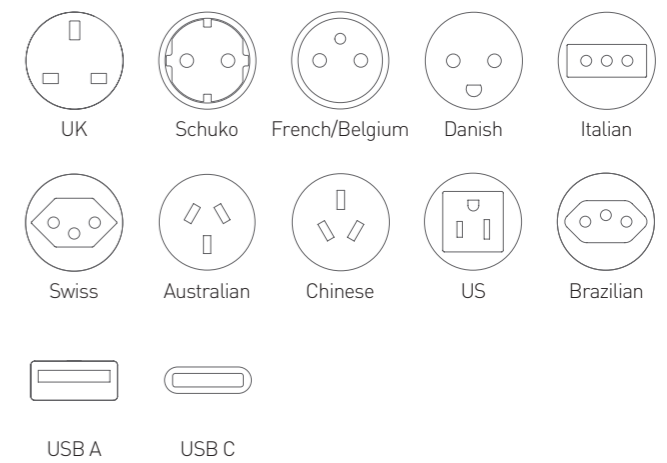
**With our stunning modular Landscape seating range, you can relax – and then recharge.**

A uniquely modular and flexible solution, Landscape can accommodate a wide range of convenient power options, ideal for waiting room occupants. We can install our innovative power product, Boost, between seats, under seats, on top of tables and even between armrests. Adaptable to almost any international socket type, Boost has both type A and type C USB fast charge socket options and is perfect for use with mobile phones, laptops, cameras and entertainment systems such as MP3s or portable game players.



03

### Boost power and USB socket options



# Landscape. For all the people in the land

Unprecedented level of comfort

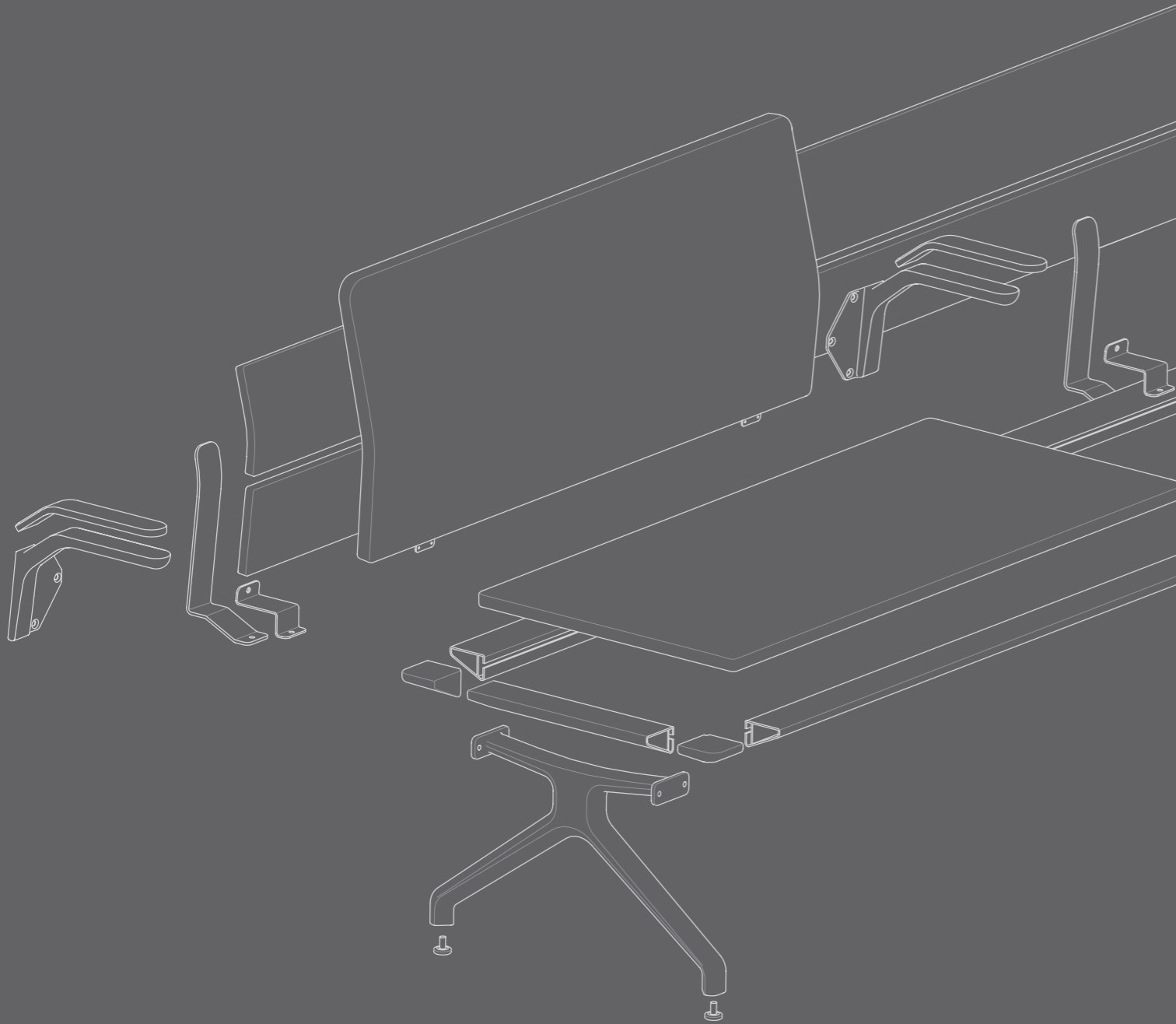


People come in all shapes and sizes. And Landscape is the elegant seating solution to accommodate them all. Young or old, short or tall, big or small, Landscape has the in-built flexibility to suit your most specific needs.



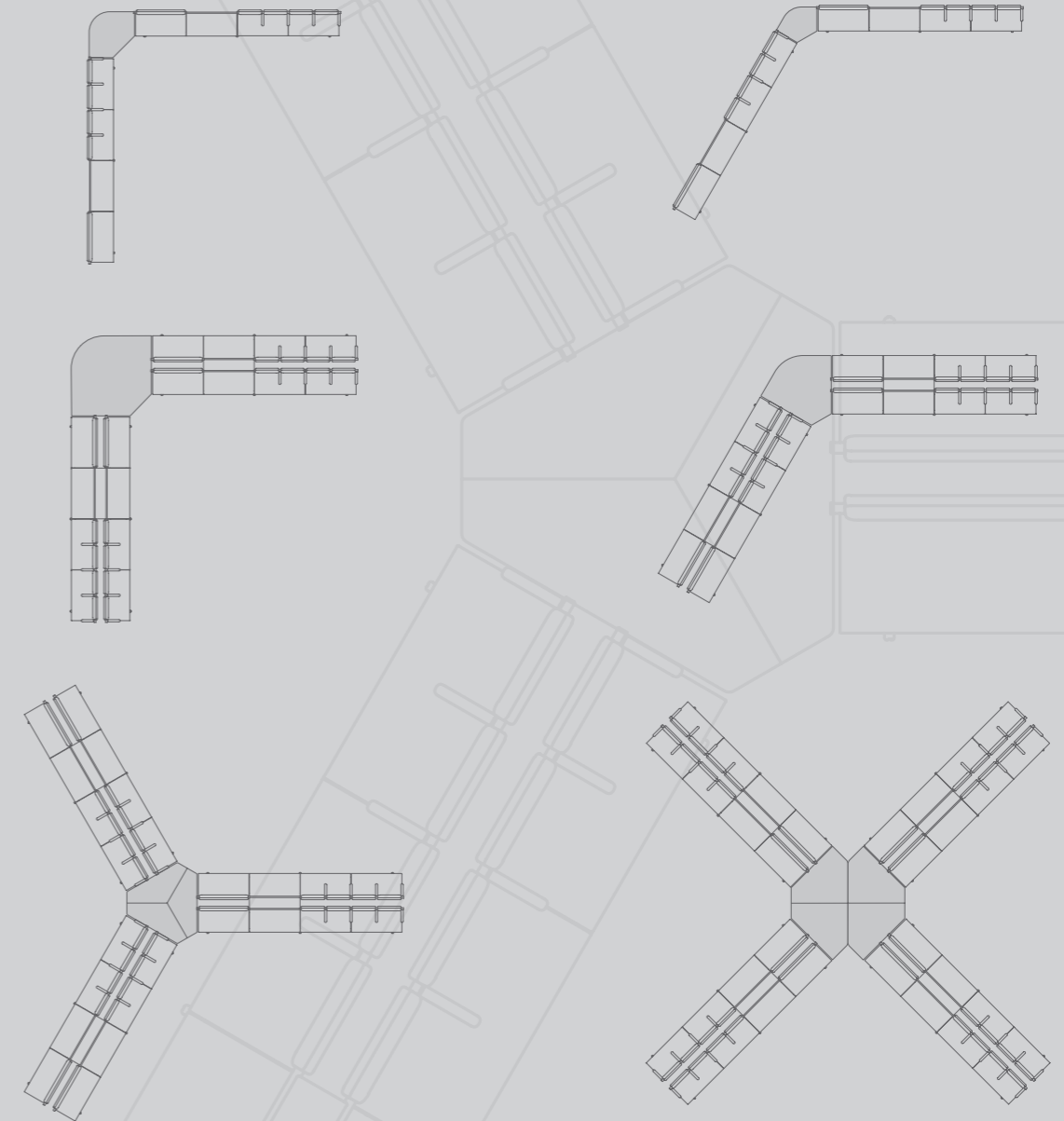
# Structural simplicity for ultimate flexibility

Flexible seating solutions



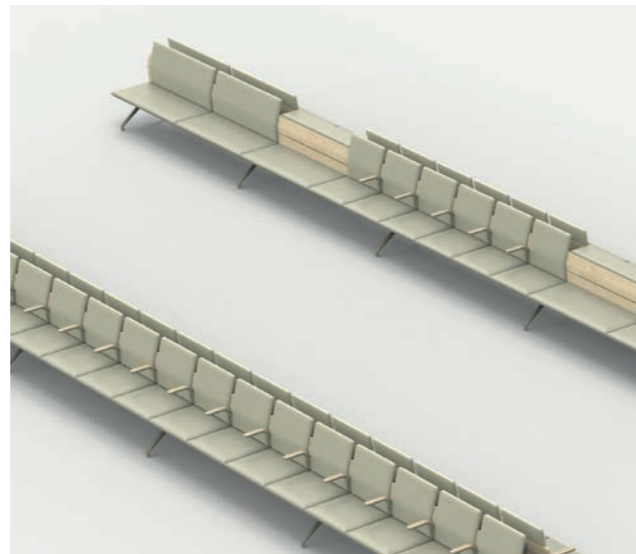
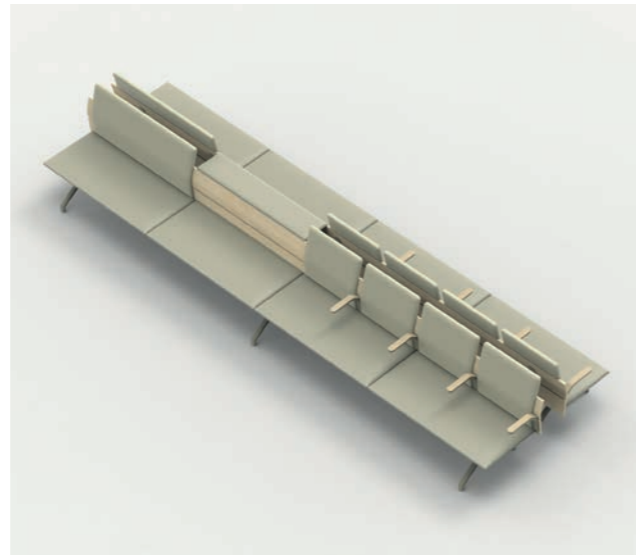
## ● Flexibility is key with Landscape

It is the ideal seating solution for a range of sectors. With its modular design and simple underlying structure, it can be cut to any length and can accommodate a range of options including single seats, double seats, seats with backs or no backs, as well as feet and end caps.



# The ever-changing Landscape

Quick and easy to update



The inherent structural simplicity of Landscape makes it quick and easy to update, add to, reconfigure or maintain. The result is a seating solution that offers the ultimate in manoeuvrability and freedom of expression.

## The environmental Landscape

**With Landscape, exceptional versatility and flexibility go hand in hand with sustainability.**

As a business, we are totally committed to designing and developing products that are, right from point of inception, adhere to a corporate initiative we term 'Green Attitude'. Accordingly, the design process at the heart of Landscape has been implemented in accordance with the ISO 14006 Standard in EcoDesign. Moreover, all of Landscape's components can be recycled and are very easily identifiable, while the absence of any welded or fixed joint elements enables the responsible disposal of all parts.

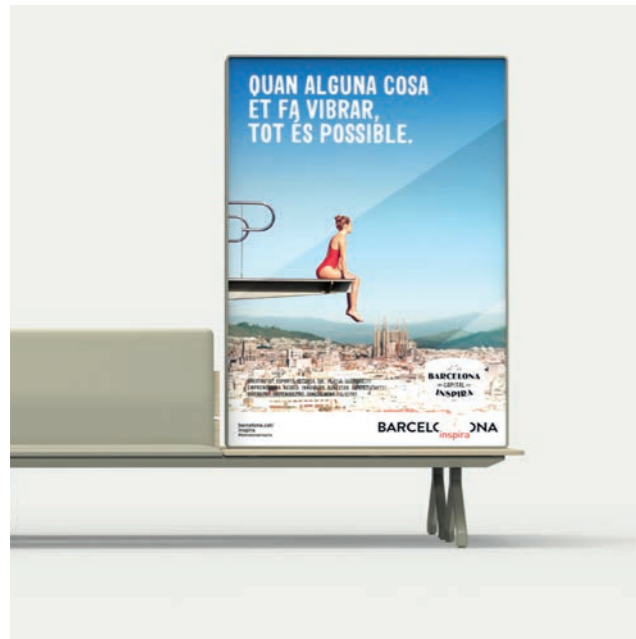
# Integration. It's all part of the Landscape

The ease of integration

## ● Landscape takes integration to a new level.

Up until now, if you'd wanted to incorporate planters to soften the look of a waiting area, or perhaps include signage or litter bins, these would have been as separate standalone items.

The beauty of Landscape is that its modular nature and structure allows for the easy integration of these items into the seating design. So planters, signage, litter bins and even simple privacy screening can all be built in to Landscape, not only significantly adding to the aesthetic appeal of the area, but also freeing up floor space.



Advertising information panels (TV option available)



Planters



Screens



Litter bins

# Seating setting the right example

Corporate and social responsibility



**As a respected, market-leading, international manufacturer, Zoeflig takes its corporate and social responsibilities extremely seriously.**

This commitment is embodied in the Corporate and Social Responsibility (CSR) policy that sits at the heart of our business, encompassing three main areas:

- **Environment** – we are constantly exploring how to minimise the environmental impacts of our products and operations through increased product longevity, better material selection, more sustainable design and manufacturing processes and improved waste management

- **People** – we value our people enormously and are committed to their development, fostering an environment where independent and creative thought is encouraged, and where staff have the opportunity to build on their skills

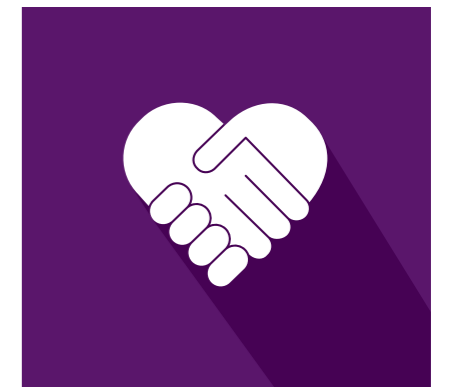
- **Community** – in addition to providing crucial financial support to a number of local charities, Zoeflig has an eye on the future and is forging award-winning links with the local community, such as providing ongoing internship and work experience opportunities for many local education establishments.



Environment



People

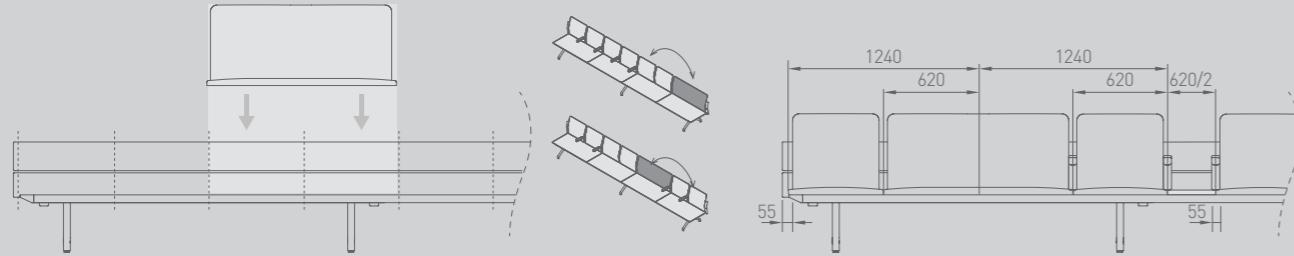


Community

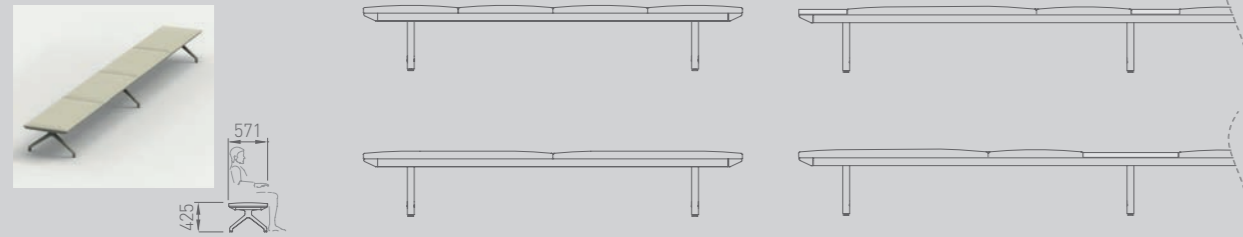
# Technical and dimensions

For further information email [enquiries@zoefitg.com](mailto:enquiries@zoefitg.com) For CAD downloads visit [www.zoefitg.com](http://www.zoefitg.com)

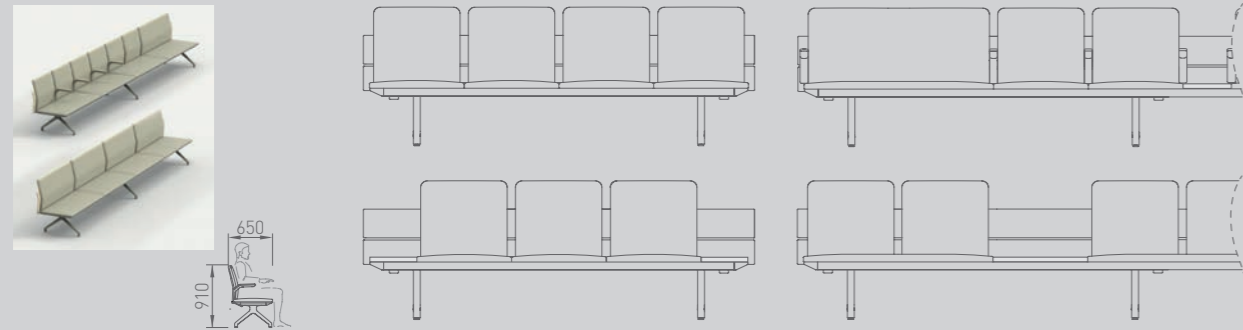
## Different connecting elements



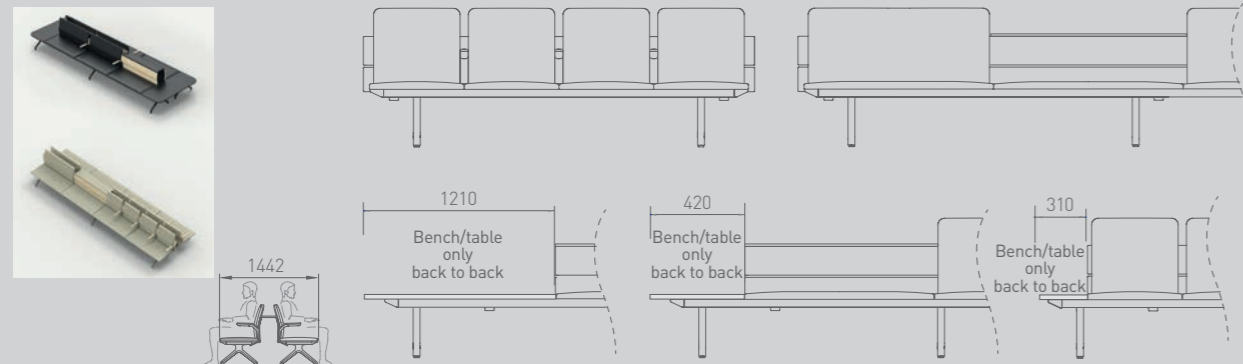
## Backless



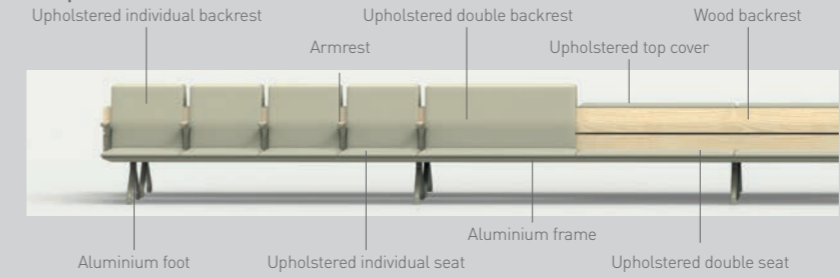
## With backup



## Back to back



## Components



## Power options

### Back to back



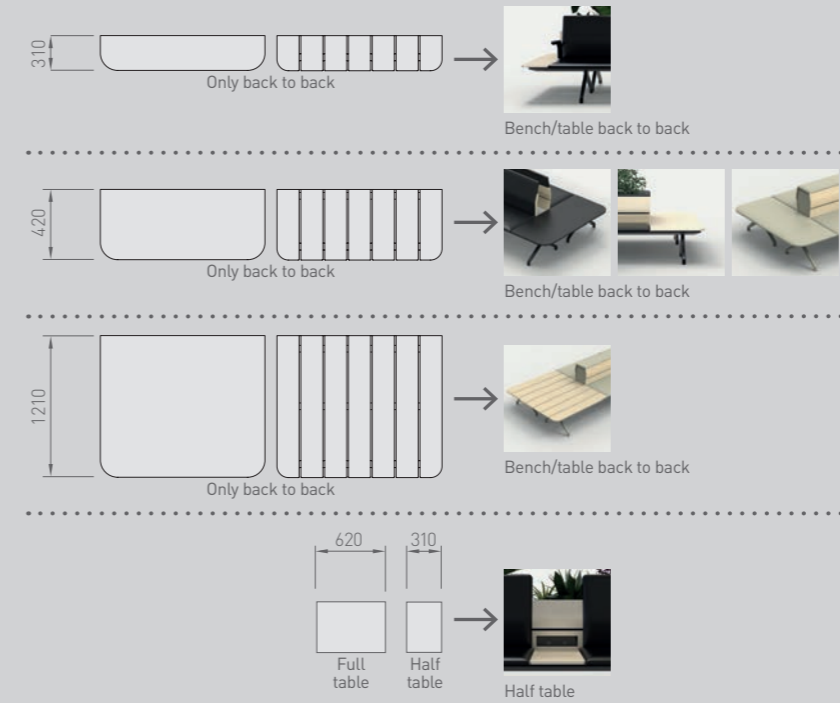
Back to back end cover, with or without power

### Boost

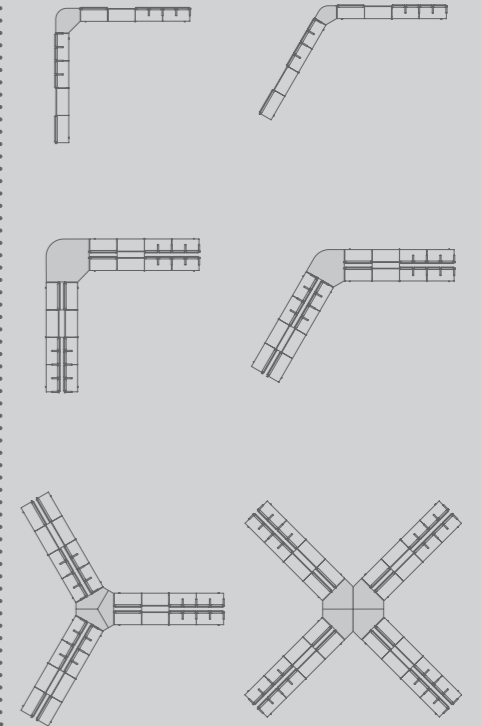


Available as  
 • Boost table top power  
 • Boost under seat power  
 • Boost under table power

## Bench/table

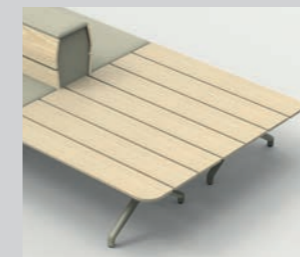


## Configurations



## Materials and finishes

### Bench/table



Bench/table available in a range of finishes and materials including stone, wood and compact laminate

### Seat, backrest or bench



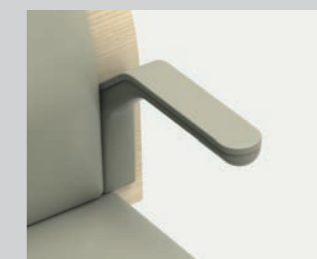
Seats and benches are available upholstered in leather, e-leather, PVC and a range of other fabrics. Backrests are available in matching upholstery or as wood

### Foot and frame



Feet and frames are available in a range of powder coated colours

### Armrest



Aluminium cast armrests can be upholstered to match seating or capped with a wood finish



Dedicated to public seating perfection

Our contact details



9560



E3409

**USA, Canada, Caribbean  
& South America**  
Zoeflig Ltd  
2366 Sylvan Road  
Atlanta Georgia 30344 USA  
T: +1 847 348 9970  
E: sales@zoeflig.com  
W: zoeflig.com

**UK, Europe & Russia**  
Zoeflig Ltd  
Kings Hill Industrial Estate  
Bude Cornwall EX23 8QN  
United Kingdom  
T: +44 (0)1288 35 45 12  
F: +44 (0)1288 35 59 54  
E: sales@zoeflig.com  
W: zoeflig.com

**Middle East, Africa  
& Indian Subcontinent**  
Zoeflig Ltd  
P.O.Box 8349  
Dubai UAE  
T: +971 (0) 4 3381656  
E: sales@zoeflig.com  
W: zoeflig.com

**Asia Pacific**  
Zoeflig Ltd  
421 Tagore Industrial Ave  
02-05 Tagore 8  
Singapore 787805  
T: +44 (0)1288 35 45 12  
E: sales@zoeflig.com  
W: zoeflig.com