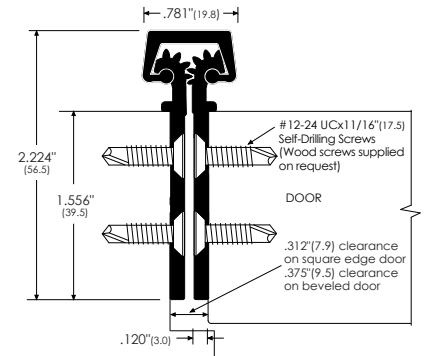


ZERO UNIGEAR CONTINUOUS HINGES

High performance, heavy duty, integrated door hinges that dissipate kick-back and impact shock while maintaining smooth, effortless door swing. Unlike conventional hinges, the Unigear hinge spreads stress along the full length of the door and frame. Manufactured from heavy gauge aluminium alloy with solid support blocks of self-lubricating Delrin, the Unigear is perfect for new or retrofit construction projects. Options include hospital tips (HT), electrified pass through (EPT), concealed electric conductor hinge (CE), and school option with non-removable cap (SC). The Unigear is tamper proof and weather resistant. Template hole pattern allows for advance door and frame preparation.

Standard sizes: 2134mm and 2438mm, but also available 2743mm for tall doors. Bearings: standard number of bearings to suit doors up to 100 kg, but also available with double the number (DB), recommended for heavy duty or high traffic doors. Standard edge mount. For standard 44mm doors. Included in 30 minute fire test on timber door to BS EN 1634-1: 2000 with FS3003 intumescent. Report WF190868 dated 30.03.2010 refers.

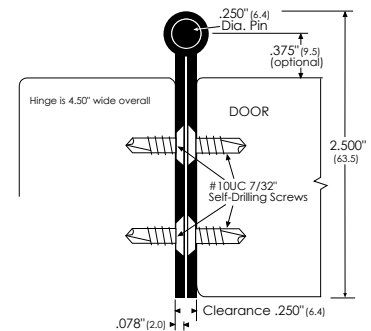
PRODUCT REF	MATERIAL	SIZE
910AA	Anodised aluminium	2134mm
910AA	Anodised aluminium	2438mm
910AA*	Anodised aluminium	2743mm
910DBAA	Anodised aluminium	2134mm
910DBAA	Anodised aluminium	2438mm
910DBAA*	Anodised aluminium	2743mm
910AA-CE	NEW 6 wire conductor hinge, single bearing	355mm
910DBAA-CE	NEW 6 wire conductor hinge, double bearing	355mm



ZERO UNIPIN™ BARREL-TYPE CONTINUOUS HINGES

A heavy duty continuous hinge for high traffic wood or metal door applications. Manufactured from 14 gauge cold rolled steel prime (SP) or Grade 304 stainless steel (STST). The hinge is 114mm wide overall, has nylon washers with 51mm knuckle lengths and 6mm diameter stainless steel pin which runs parallel to the length of the hinge.

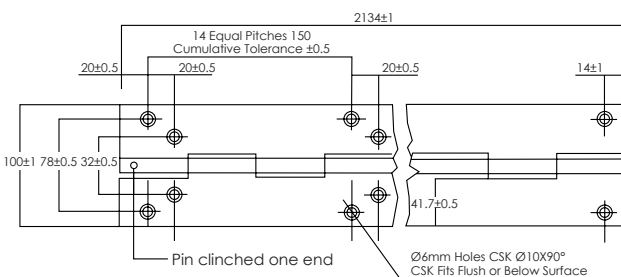
PRODUCT REF	MATERIAL	SIZE
919SP	Steel primed	2134mm
919SP*	Steel primed	2438mm
919STST	Stainless steel	2134mm
919STST*	Stainless steel	2438mm



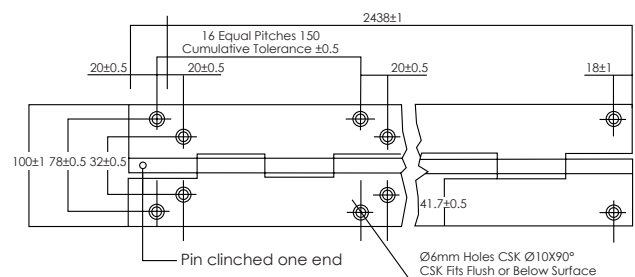
ZEROPLUS CONTIPIN SECURITY HINGES

The 970 is a heavy duty continuous hinge, close flat type, i.e. if hinge is closed the leaves are lying back on back. Available in Grade 304 stainless steel (STST) or zinc plated mild steel (ZP), Grade 316 stainless steel to special order. The hinge is 100mm wide overall (±1mm) and has a material thickness of 2.5mm, with 6mm pin, 11mm knuckle and 50.8mm joints. Pin clinched one end to prevent pin rising.

PRODUCT REF	MATERIAL	SIZE
970ZP	Zinc plated mild steel	2134mm
970ZP	Zinc plated mild steel	2438mm
970STST	Stainless steel	2134mm
970STST	Stainless steel	2438mm



TEMPLATE PATTERN 970 2134MM LONG



TEMPLATE PATTERN 970 2438MM LONG

PLEASE NOTE THAT ALL SPECIALIST HINGES ON THIS PAGE ARE NOT CE MARKED AND DO NOT HAVE A DoP