

ANEMOSTAT METAL LOUVRES

DRDL DARKROOM LOUVRE DOUBLE INVERTED V – NON VISION

The DRDL has double inverted louvre blades and is designed for dark room applications where light cannot be present. Each side of the louvre fastens directly onto the door through countersunk mounting holes.

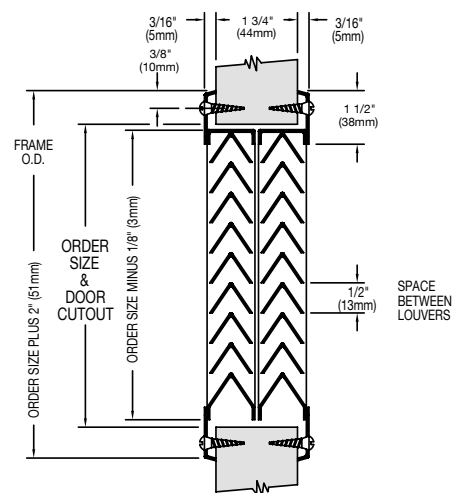
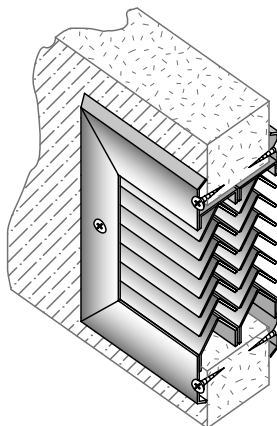
Material: 18GA. Cold rolled steel frame.
20GA. Cold rolled steel louvre blades.

Finish: Galvanised steel grey primed.
Other finishes available to order.

Door thickness: To suit 44mm minimum thick metal or timber doors (also available to suit 35mm).

Free air flow: 60% free area.

Special security fasteners available (see page 110).



PRODUCT REF.	SIZE IN INCHES W X H	CUTOUT MM W X H	OUTSIDE FRAME MM
DARKROOM LOUVRE TO SUIT 44MM MINIMUM THICK DOOR			
DRDL 0808*	8 x 8	203 x 203	254 x 254
DRDL 1010 NEW	10 x 10	254 x 254	305 x 305
DRDL 1208	12 x 8	305 x 203	356 x 254
DRDL 1212	12 x 12	305 x 305	356 x 356
DRDL 1818	18 x 18	457 x 457	508 x 508
DRDL 2020 NEW	20 x 20	508 x 508	559 x 559

Other sizes available from 152 x 152mm up to 914 x 1829mm cut-out in door.

ADL ADJUSTABLE LOUVRE – NON-FIRE RATED

The ADL is the non-fire rated version of the FLDL-UL fire rated fusible link louvre shown on page 105. The blades can be adjusted between the open and closed positions using the operating finger pull (always located on the lower right hand side). It is self-attaching using Phillips head screws that fasten the auxiliary frame to the louvre core, through the cut-out in the door. The corridor side of the frame is free of fasteners for added security. **FRACTIONAL INCH SIZES ARE NOT AVAILABLE.**

Material: 18GA. Galvanised steel frame and louvre blades.
16GA. Inner support members.

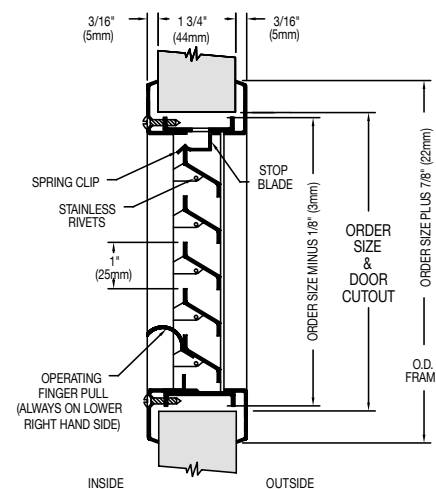
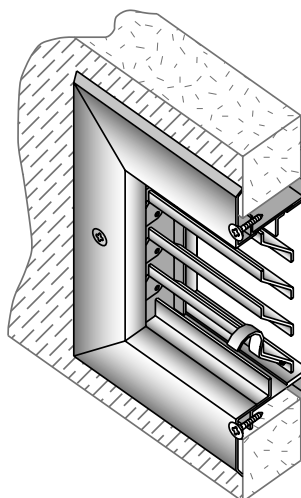
Finish: Galvanised steel grey primed – other finishes available to order, including Grade 304 and Grade 316 stainless steel.

Door thickness: To suit 44-46mm thick metal or timber doors (35mm, 50mm & 54mm available).

Free air flow: 40% free area.

Louvre mesh: The operating finger pull makes it difficult to use mesh on this louvre.

Special security fasteners available (see page 110).



PRODUCT REF.	SIZE IN INCHES W X H	CUTOUT MM W X H	OUTSIDE FRAME MM
ADJUSTABLE LOUVRE TO SUIT 44-46MM THICK DOOR			
ADL 1212	12 x 12	305 x 305	327 x 327
ADL 1810	18 x 10	457 x 254	479 x 276
ADL 1818	18 x 18	457 x 457	479 x 479
ADL 1836*	18 x 36	457 x 914	479 x 936
ADL 1860*	18 x 60	457 x 1524	479 x 1546
ADL 2020*	20 x 20	508 x 508	530 x 530
ADL 2424	24 x 24	610 x 610	632 x 632

Other sizes available from 152 x 152mm up to 914 x 1829mm cut-out in door.