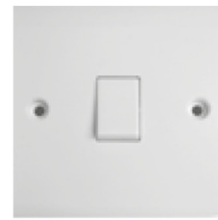


# Centair CMEV.4e

The Centair CMEV.4e is a central extract unit designed to enable better and easier specification of ventilation in new properties. It contains features such as its incredibly low specific fan power and compact size to provide a low running cost and space saving installation.



ZGS2

## Key Features

- Specific Fan Power of just 0.16w/l/s.
- 5 individual 125mm extract spigots available.
- Compact design.
- Versatile installation to wall, ceiling or floor.
- Light to handle.
- 100% variable speed motors for precise commissioning.

## SAP PCDB Test Results

	SFP (W/l/s)	
	2009	2012
K+1	0.17	0.17
K+2	0.16	0.16
K+3	0.17	0.17
K+4	0.18	0.18
K+5	0.22	0.22
K+6	0.24	0.24

## SEC Class

- B** Based on average climate with local demand control
- D** Based on average climate with central demand control

## Article Numbers

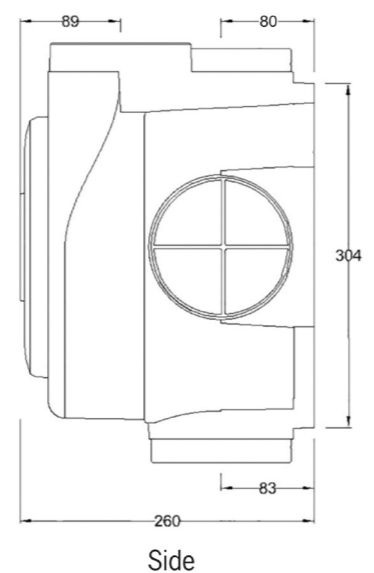
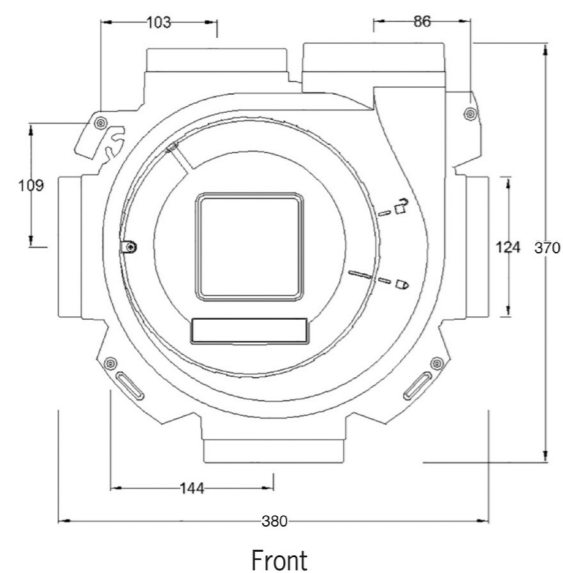
Description	Product Code
Centair CMEV.4e for wall, floor or cupboard mounting	CMEV.4e
Controls, two position switch for ComfoAir and Centair range	ZGS2
Controls, remote air quality sensor	AQR
Controls, remote humidity sensor	HHRW
Controls, remote passive infra-red movement sensor	PIRR
Controls, remote temperature sensor	THR

## Technical Specification

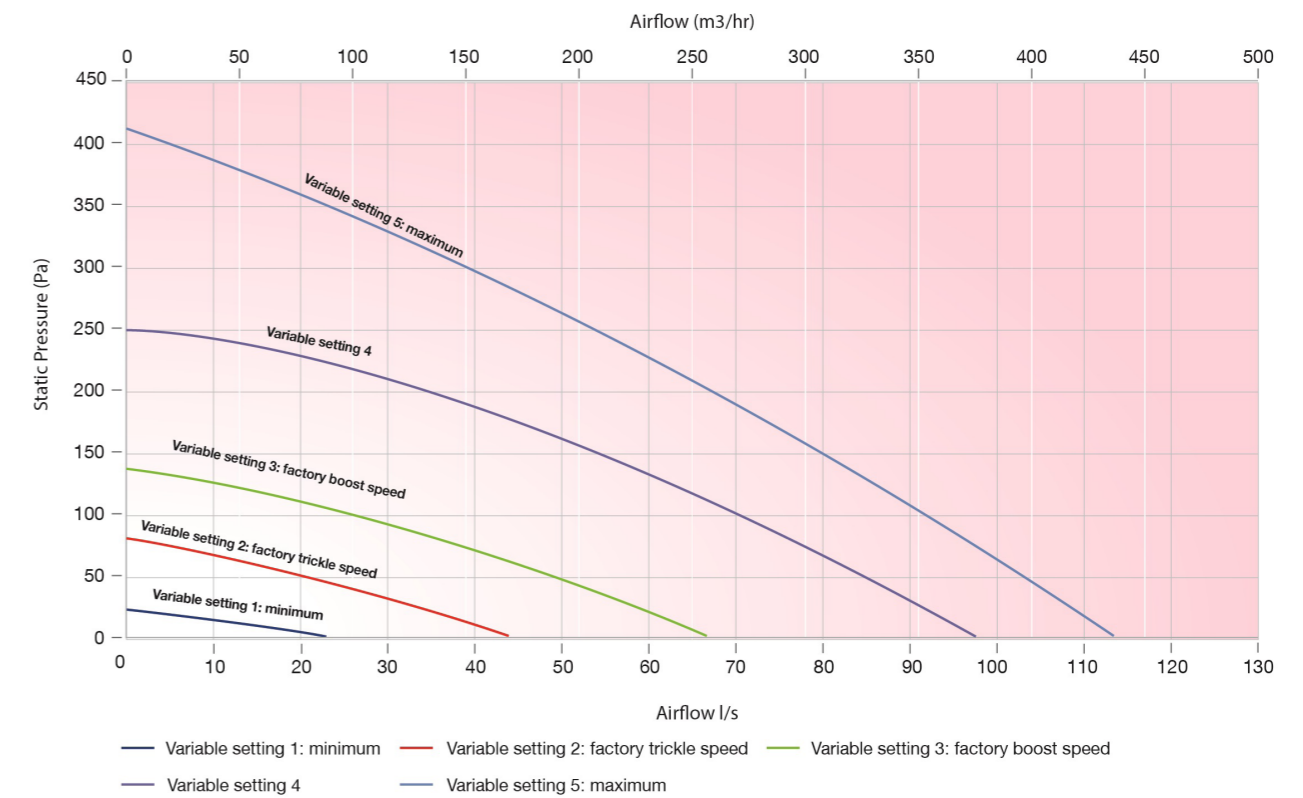
Weight	3.8 Kg
Ducting ø	125 mm
Number of extract spigots	5
Materials	High grade polypropylene
Supply voltage	230V / single-phase / 50Hz
Maximum power consumption	38 W
Current draw	0.5 amp
Fuse rating	3 amp
Specific Fan Power	0.16 W/l/s

## Dimensions

Height	260 mm
Width	381 mm
Depth	371 mm



## Pressure Curve

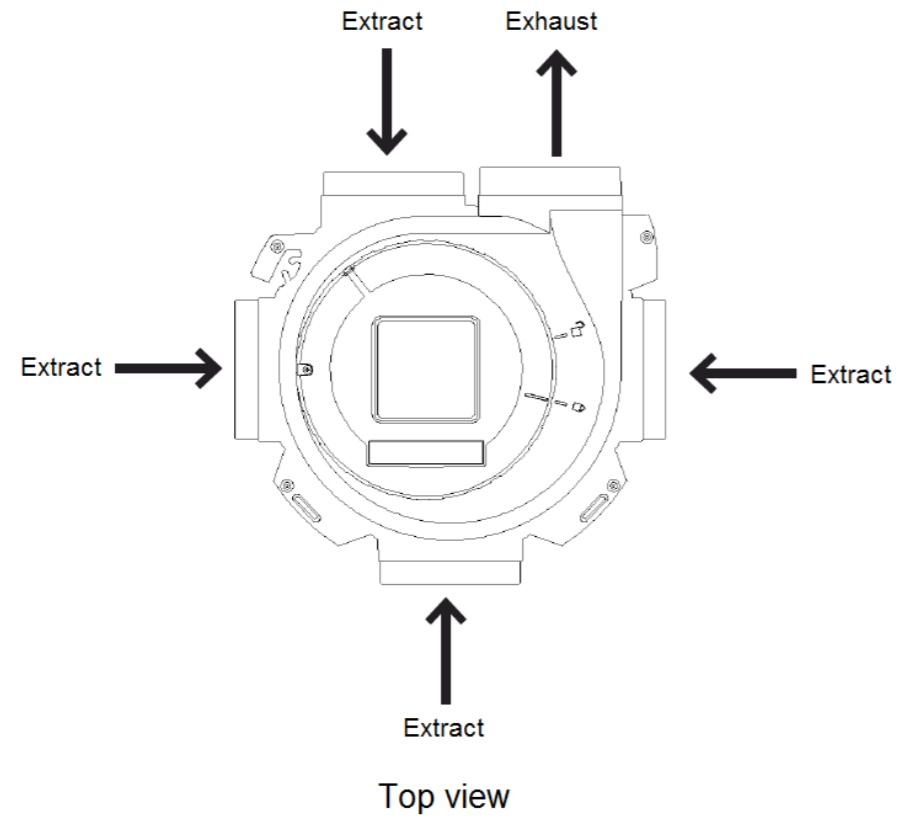


## Sound Data

Setting	Test Area	Octave Band (Hz) Sound Power Level, dB							dB(A)@3m
		125	250	500	1000	2000	4000	8000	
1	Casing	29.6	17.9	16.1	12.7	13.9	18.6	25.2	8.7
	Extract	26.8	15.4	12.9	11.5	12.6	18.5	25.1	
2	Casing	32.9	34	25.1	17.6	15.2	18.6	25.2	13.0
	Extract	37.7	34.1	26.5	17.2	13.5	18.5	25.1	
3	Casing	39.9	42.7	40.6	29.5	26.2	19.9	25.3	22.8
	Extract	44.3	43.2	41.5	29.4	23.8	19.7	25.1	
4	Casing	42.9	49.2	50.5	43.7	35.8	27.2	26.4	31.5
	Extract	50.7	50.7	48.1	42.9	35.9	29.1	26.3	
MAX	Casing	45.1	49.9	48.5	48.5	40.1	33	28	33.7
	Extract	50.2	56	50.8	47.4	40.4	35.7	29.4	

Tested according to BS EN 13141-6:2004. Extract showing induct sound power level. Casing dBA @ 3m given as hemispherical.

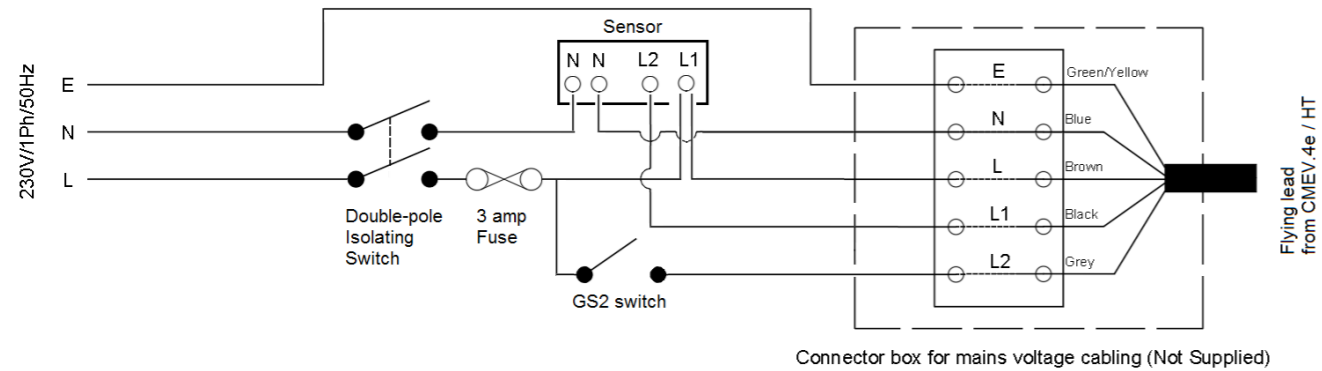
## Air Direction/Connection



## Wiring

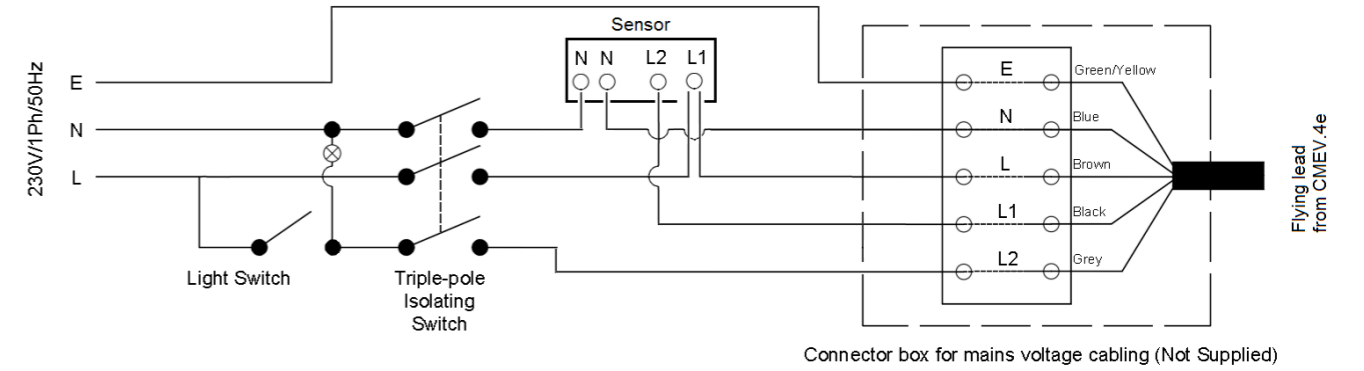
Electrical connections should be carried out in accordance to IEE regulations by a qualified electrician. The unit is supplied with a flying lead for connection to the mains supply.

Two speed control via GS2 switch and medium speed activation via remote sensor

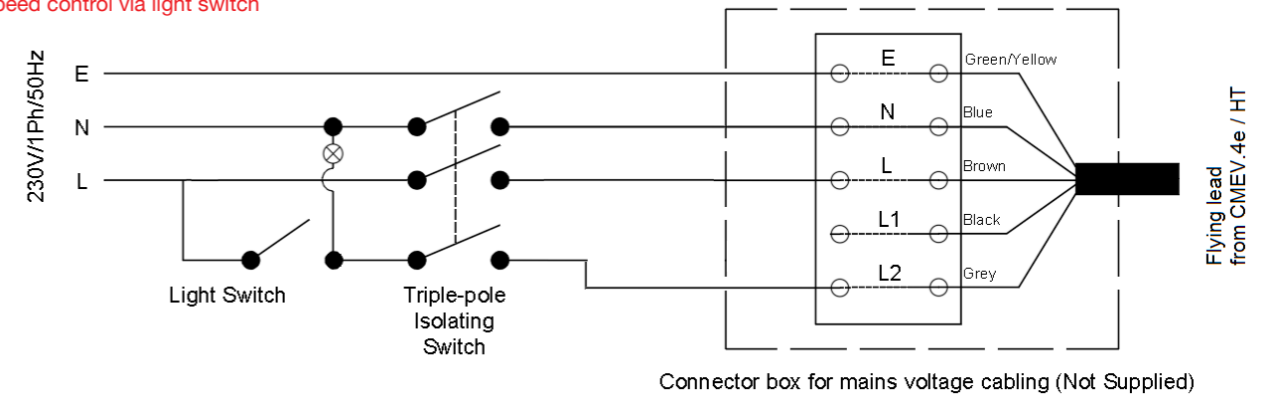


## Wiring

Two speed control via light switch and medium speed activation via remote sensor



Two speed control via light switch



## BIM/CAD Components

If you would like to download the BIM / CAD files for this or any other of our products then please visit our BIM library.

**TO VISIT OUR BIM/CAD LIBRARY**

**CLICK HERE**

## Installation Instructions

If you would like to download the installation files for this or any other of our products then please visit our download page by clicking the link below.

**TO VISIT OUR DOWNLOAD PAGE**

**CLICK HERE**

## Our Informational Video



Watch our video on how to change the Zehnder ComfoFresh filter.

**TO WATCH OUR VIDEO**

**CLICK HERE**



Watch our video on how to clean the Zehnder ComfoFresh ductwork.

**TO WATCH OUR VIDEO**

**CLICK HERE**

## Consultant Specification

### Specification

The unit shall consist of a body manufactured in high grade polypropylene. It shall have EC low energy motors with sealed for life bearings. The fan shall have a backward curved centrifugal impellor.

The unit shall have multiple 125mm diameter extract connections and a single 125mm diameter exhaust connection for direct connection with standard ducting. It shall be suitable for vertical or horizontal orientation to wall, floor or ceiling.

The unit shall be constructed to enable fitting via a single corner fixing to allow easy alignment for remaining fixings. The unit shall be constructed to have a removable fan assembly to allow full maintenance access.

The unit shall conform to LVD and EMC standards and be CE Marked in addition to having an EU compliant energy rating label (SEC) with a minimum grade of D. The unit shall be manufactured by Zehnder.

### Operation

The extract unit shall be a Centair manufactured by Zehnder and shall be suitable to mount on a wall, floor or ceiling in accordance with the specification.

The unit shall vary its speed of the EC motors automatically when it receives a signal from external sensors in combination with external switches. The unit shall incorporate electrical connections to allow for the signal from a switched live 230V contact to vary its speed.

The unit shall have the ability to adjust and commission the extract motor via the front mounted in-built speed pots. The unit shall offer 100% variable speed control on both the low and high speeds.

### Controls

All Centair units shall contain the following functions within the unit pre-wired and factory fitted by the manufacturer:

- 100% variable extract motor control
- Variable low and high speed flow rate set point
- Switched live input

**zehnder**  
always the  
best climate

## ZGS2



The Zehnder ZGS2 is a two position switch designed to enable the user to manually select the desired ventilation systems flow rate.

### Key Benefits

- 2 separate ventilation flow rate options to select in 1 controller

### Technical Specification

Mounting options	Recessed
Supply voltage	Mains power - 230V / single-phase / 50Hz

### Dimensions (recessed)

Height	86mm
Width	86mm
Depth	15mm

### Description

Suitable for use with MEV and MVHR units:

### Product Code

### Article

ZGS2

Centair CMEV.4e for wall, floor or cupboard mounting	CMEV.4e
Centair CMEV.4eHT for wall, floor or cupboard mounting with SMART technology	CMEV.4eHT
Zehnder ComfoAir 155 CM for ceiling mounting with SMART technology	CA155CM-GB
Zehnder ComfoAir 155 WM for wall or cupboard mounting with SMART technology	CA155WM-GB
Zehnder ComfoAir 155 WMe for wall or cupboard mounting with SMART technology	CA155WMe-GB
Zehnder ComfoAir 185 WM for wall or cupboard mounting with SMART technology	CA185WM-GB

## HHRW



The Zehnder HHRW remote humidity sensor enables a signal to be sent to the ventilation system to automatically place the unit into a higher flow rate.

### Key Benefits

- Set humidity activation between 30-90% relative humidity
- Adjustable overrun timer between 2-40 minutes
- Can be fitted with locking security straps to prevent tampering
- Suitable for locating where temperatures don't exceed 45°C

### Technical Specification

Mounting options	Recessed / Surface
Supply voltage	Mains power - 230V / single-phase / 50Hz

### Dimensions (recessed)

Height	86mm
Width	93mm
Depth	20mm

### Dimensions (surface mounted)

Height	86mm
Width	93mm
Depth	37mm

### Description

Suitable for use with MEV and MVHR units:

### Product Code

### Article

HHRW

Centair CMEV.4e for wall, floor or cupboard mounting	CMEV.4e
Centair CMEV.4eHT for wall, floor or cupboard mounting with SMART technology	CMEV.4eHT
Zehnder ComfoAir 155 CM for ceiling mounting with SMART technology	CA155CM-GB
Zehnder ComfoAir 155 WM for wall or cupboard mounting with SMART technology	CA155WM-GB
Zehnder ComfoAir 155 WMe for wall or cupboard mounting with SMART technology	CA155WMe-GB
Zehnder ComfoAir 185 WM for wall or cupboard mounting with SMART technology	CA185WM-GB
Zehnder ComfoAir 160	471218950
Zehnder ComfoAir 200, left handed	471226010
Zehnder ComfoAir 200, right handed	471226015
Zehnder ComfoAir 350, left handed	471233400
Zehnder ComfoAir 350, right handed	471233405

## PIRR



The Zehnder PIRR remote passive infra-red movement sensor enables a signal to be sent to the ventilation system to automatically place the unit into a higher flow rate.

### Key Benefits

- Senses movement up to 7m away
- Adjustable overrun timer between 2-40 minutes
- Can be fitted with locking security straps to prevent tampering
- Suitable for locating where temperatures don't exceed 45°C

### Technical Specification

Mounting options	Recessed / Surface
Supply voltage	Mains power - 230V / single-phase / 50Hz

### Dimensions (recessed)

Height	86mm
Width	93mm
Depth	20mm

### Dimensions (surface mounted)

Height	86mm
Width	93mm
Depth	37mm

### Description

Suitable for use with MEV and MVHR units:

Description	Product Code	Article
Suitable for use with MEV and MVHR units:		PIRR
Centair CMEV.4e for wall, floor or cupboard mounting	CMEV.4e	
Centair CMEV.4eHT for wall, floor or cupboard mounting with SMART technology	CMEV.4eHT	
Zehnder ComfoAir 155 CM for ceiling mounting with SMART technology	CA155CM-GB	
Zehnder ComfoAir 155 WM for wall or cupboard mounting with SMART technology	CA155WM-GB	
Zehnder ComfoAir 155 WMe for wall or cupboard mounting with SMART technology	CA155WMe-GB	
Zehnder ComfoAir 185 WM for wall or cupboard mounting with SMART technology	CA185WM-GB	
Zehnder ComfoAir 160	471218950	
Zehnder ComfoAir 200, left handed	471226010	
Zehnder ComfoAir 200, right handed	471226015	
Zehnder ComfoAir 350, left handed	471233400	
Zehnder ComfoAir 350, right handed	471233405	

## THR



The Zehnder THR remote temperature sensor enables a signal to be sent to the ventilation system to automatically place the unit into a higher flow rate.

### Key Benefits

- Set temperature activation between 5-35°C
- Fixed 2 minute overrun timer
- Can be fitted with locking security straps to prevent tampering
- Suitable for locating where temperatures don't exceed 45°C

### Technical Specification

Mounting options	Recessed / Surface
Supply voltage	Mains power - 230V / single-phase / 50Hz

### Dimensions (recessed)

Height	86mm
Width	93mm
Depth	20mm

### Dimensions (surface mounted)

Height	86mm
Width	93mm
Depth	37mm

### Description

Suitable for use with MEV and MVHR units:

Description	Product Code	Article
Suitable for use with MEV and MVHR units:		THR
Centair CMEV.4e for wall, floor or cupboard mounting	CMEV.4e	
Centair CMEV.4eHT for wall, floor or cupboard mounting with SMART technology	CMEV.4eHT	
Zehnder ComfoAir 155 CM for ceiling mounting with SMART technology	CA155CM-GB	
Zehnder ComfoAir 155 WM for wall or cupboard mounting with SMART technology	CA155WM-GB	
Zehnder ComfoAir 155 WMe for wall or cupboard mounting with SMART technology	CA155WMe-GB	
Zehnder ComfoAir 185 WM for wall or cupboard mounting with SMART technology	CA185WM-GB	
Zehnder ComfoAir 160	471218950	
Zehnder ComfoAir 200, left handed	471226010	
Zehnder ComfoAir 200, right handed	471226015	
Zehnder ComfoAir 350, left handed	471233400	
Zehnder ComfoAir 350, right handed	471233405	