

# **DEFIANT**

## **VERTICAL BLINDS**

**VL60A**

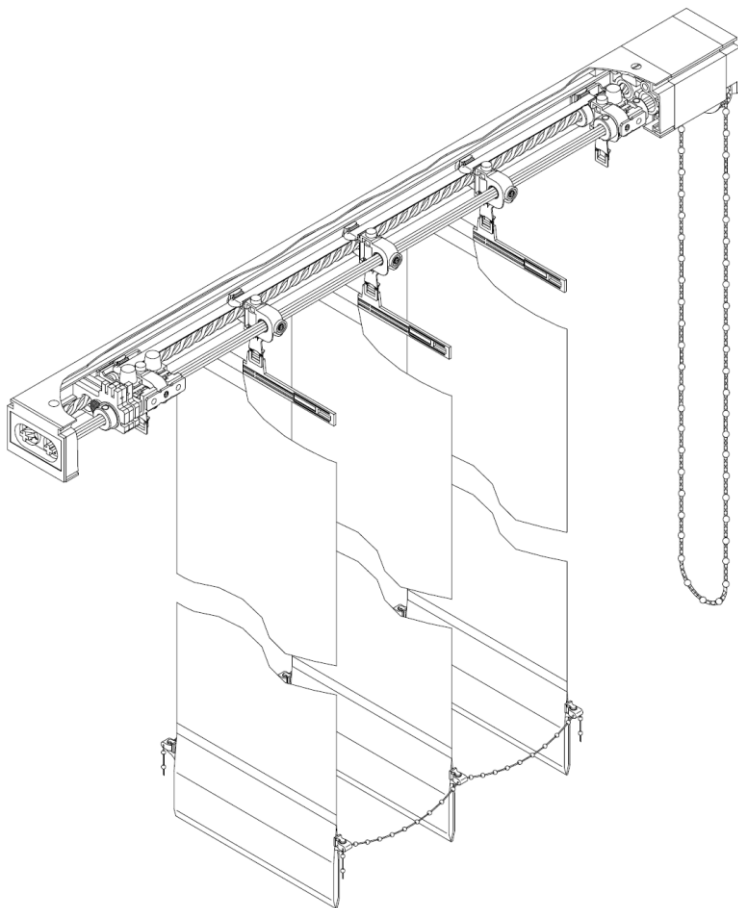
**Bead-chain Mono Control**

**VL64A**

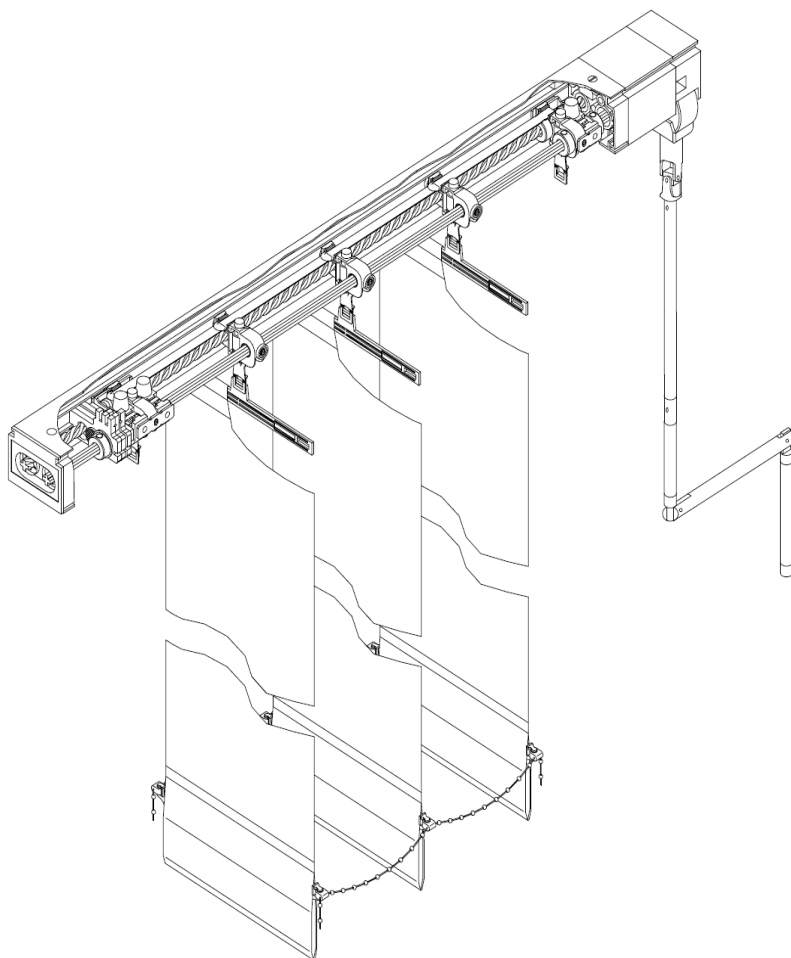
**Crank Mono Control**

**FITTING INSTRUCTIONS**

# VL60A



# VL64A



# DEFIANT

**VL60A Bead chain mono-control**

**VL64A Crank mono-control**

## FITTING INSTRUCTIONS

### Top-Fix Brackets

Fix brackets to ceiling or lintel with holes drilled on a line at least 75mm from the wall or window frame for blinds with 127mm louvres or 55mm for blinds with 89mm louvres. End brackets should be about 80mm from the ends of the track. Any remaining brackets should be spaced evenly between these two brackets. Fix using appropriate screws/plugs.

### Face-Fix Brackets

Fix brackets to wall or window frame using appropriate screws/plugs, as closely as possible to the ceiling or lintel with same spacing as recommended for the top fixing brackets.

### Fitting the Track

The track must be fitted into the brackets keeping controls to side ordered. Locate the small lip projecting from brackets into groove in track. Push track up into brackets. Spring clip brackets will hold your track without further adjustment. If your brackets have retaining screws, these should now be screwed into the other slot in the track.

**Please do not over tighten the screws. This is unnecessary and will damage the track.**

### VL60A

Remove packing material from track, releasing the chain; this controls both traverse and rotation of the louvres.

### VL64A

The crank handle controls both traverse and rotation of the louvres.

### Fitting the Louvres

Turn hooks using the controls so that the slots are 90° to the track. Hang the louvres, keeping all seams facing the same way. Your blind is now ready to operate.

### Warning

Do not continue to turn crank handle (on VL64 only) once blind is fully opened or closed as malfunction can occur.

### Optional chain tidy

Fix rear section to wall or window frame so that bottom of chain loop fits neatly into it. Press in front section so that loop is enclosed.

### Child Safety

Please read the Child Safety Warning Tag and ensure it remains attached to the blind.

**Yewdale Bridge  
Enterprise Way  
Wickford  
Essex  
SS11 8DH**

**Tel: 01268 570900  
Fax: 01268 732509  
Email: [sales@yewdalebridge.com](mailto:sales@yewdalebridge.com)**