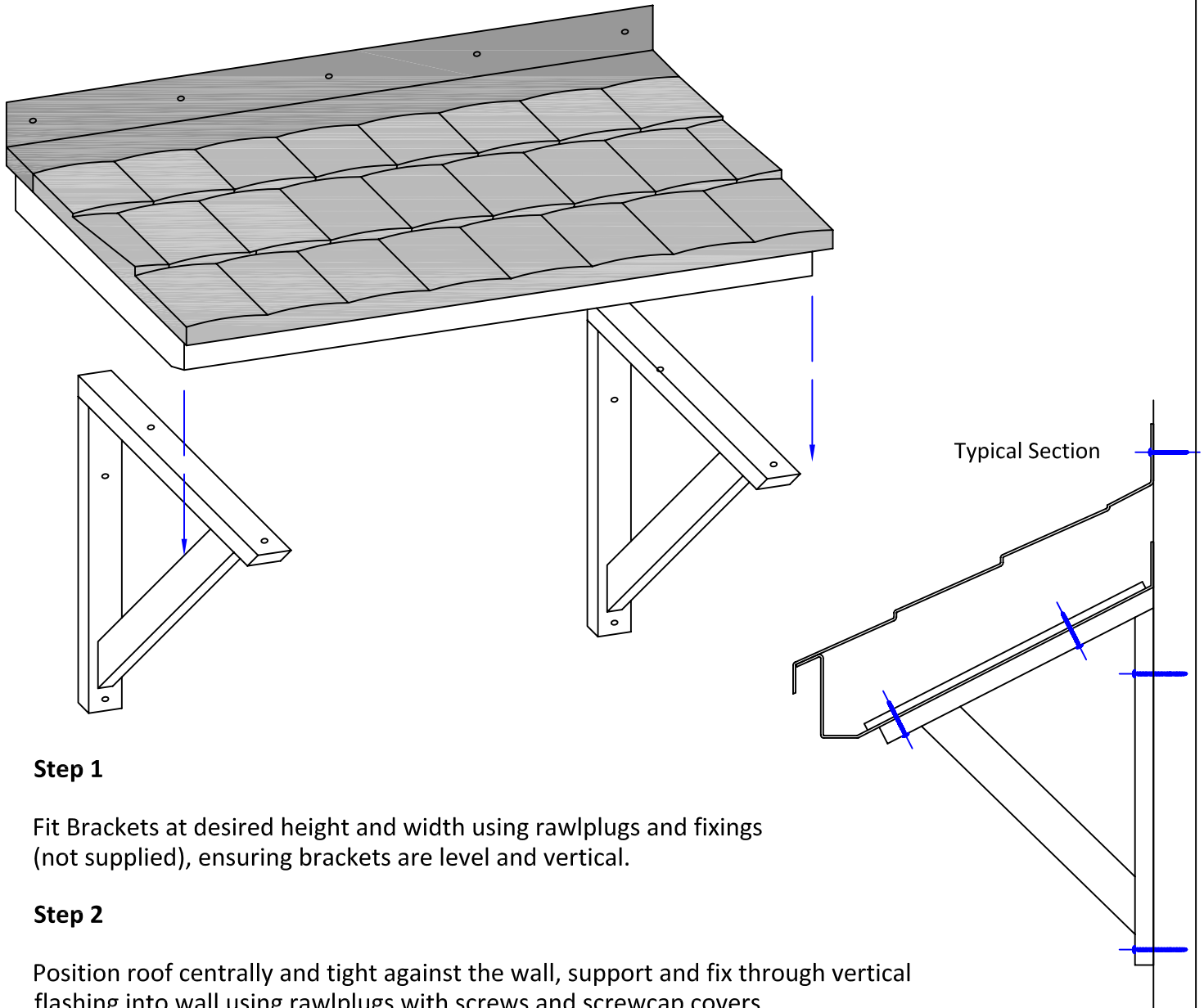


Canopy Fixing Instructions

Mono-Pitch Roof



Step 1

Fit Brackets at desired height and width using rawlplugs and fixings (not supplied), ensuring brackets are level and vertical.

Step 2

Position roof centrally and tight against the wall, support and fix through vertical flashing into wall using rawlplugs with screws and screwcap covers.
From underside screwfix through top flange of brackets into plywood base of canopy making sure to use suitable sized screws.

Step 3

Finally seal canopy flashing to wall using suitable low modulus exterior mastic.

N.B. Whilst handling and fitting canopy use protective gloves, eye protection and dust mask to prevent injury.

Maintenance

Canopy can be cleaned using non abrasive detergent and rinsing with clean water.

YBS Composites

Unit 1 Crags Industrial Park, Morven Street, Creswell, Derbyshire, S80 4AJ

Tel: (0844) 9910404 Fax: (0844) 9910405 www.ybsinsulation.com

Project	Mono-Pitch Roof Door Canopy	Client	YBS
Description	Fixing Instructions - Mono-Pitch Roof Door Canopy		
Date	13/09/2011	Drawing No.	284/11
Scale	N/A	Drawn	Robert Quinton