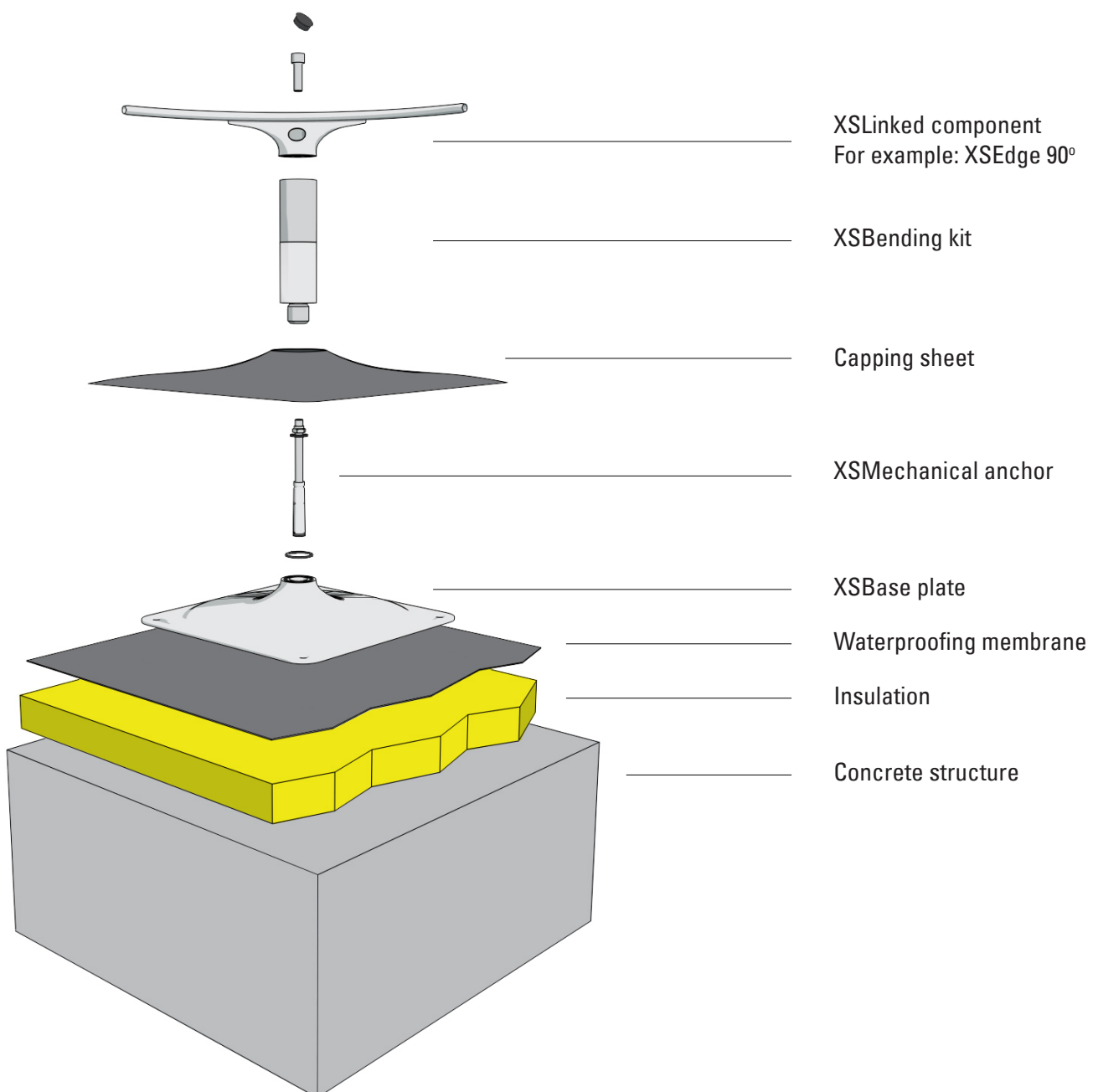


XSLinked comprises different components that form a horizontal lifeline system. The main components of a XSLinked system are the XSImpact anchorage points and the XSSlider that enables free movement along the system. The lifeline allows horizontal movement when working at heights. The system can be fixed to almost any type of roof construction. It is installed as a safeguard in places where working at heights presents risks. Risks are minimized, and the ability to work at the required height is not compromised.

Exploded view

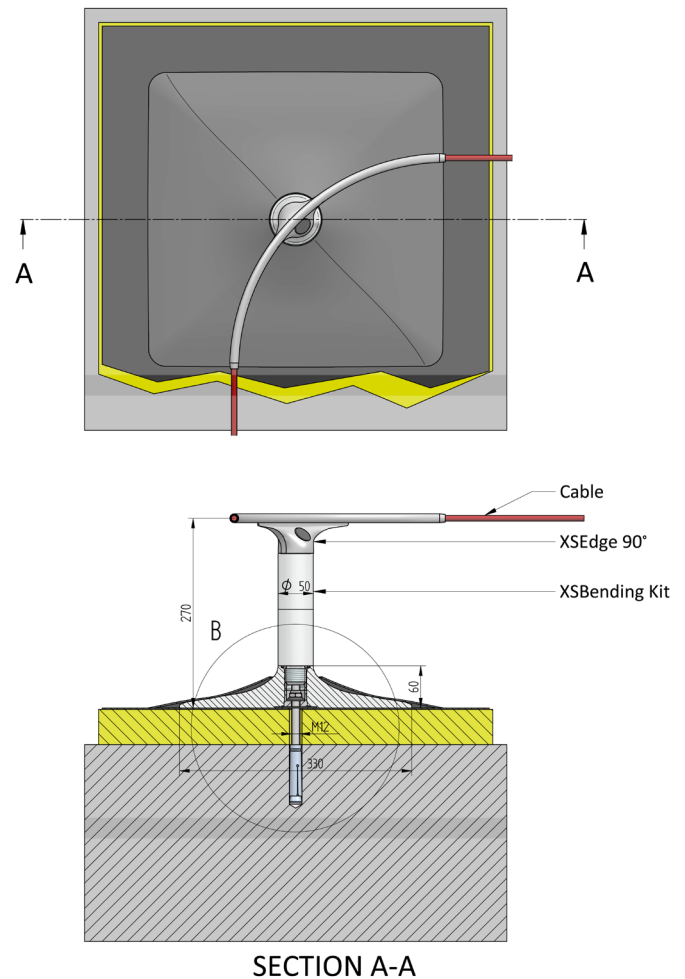
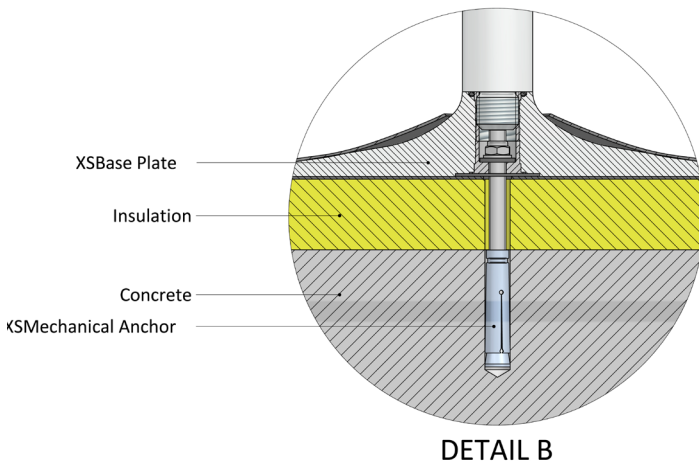


For example installation on solid concrete with use of a XSEdge 90°



- Suitable for: regular concrete and hollow core concrete (strength class at least C40/50)
- By mounting on top of the isolation and roofing, you minimize the damage to the roof
- All XSPlatforms' anchorage points are tested according EN795 class A1 and C
- Also available as a LinkedPro system

Drawings & impressions



Parts & Materials

11100	XSBending kit
11110	XSBase plate
11400	XSMechanical anchor
11600	XSEdge 90°
13100	XSCable

Stainless Steel AISI 304 *	Aluminum
Stainless Steel AISI 304 *	Aluminum
Stainless Steel AISI 304 *	Galvanized steel
Stainless Steel AISI 304 *	
Stainless Steel AISI 316	

* Parts also available in Stainless Steel AISI 316

Parts & Materials

XSImpact - 11100

The XSImpact is used to support the XSLinked system, as a stand-alone anchorage point and as an anchorage point in horizontal temporary lifeline systems. The anchorage point is tested according to the EN795 in classes A1 and C.



The anchor will not be activated until a force of 3kN is applied to the anchor. The anchor is tested against a continuous force of 10kN. The ultimate strength after deployment is greater than 20kN.

XSMechanical anchor - 11400

The XSMechanical anchor is used for fixing the anchorage point to the roof. It is a Fischer anchor specially developed for high strength mounting in concrete.



XSTerminal (hold) - 12230

One end is swaged to the lifeline. The other end is connected to an XSImpact anchorage point, with a stainless steel AISI 304 socket head screw M12 x 35 mm.



XSTensioner II system - 12300

Consists of XSStartpoint, XSHold and XSTensioner.

The XSStartpoint (and stainless steel threaded shaft) acts as the attachment point between the XSHold and the XSTensioner.

The XSTensioner is used for tightening the cable. Correct tension of the cable ensures correct functioning of all system components in the event of a fall.



XSPoint - 13320

The XSPoint is a special entrance and exit point which makes it impossible for the slider to be disconnected outside of the XSPoint. The XSPoint can only be used in combination with the XSSlider Pro.



Parts & Materials

XSIntermediate - 12400

The XSIntermediate is used to position the lifeline cable. It is shaped specifically to allow a user to move safely without needing to disconnect from the lifeline. It can be installed in many different configurations and at regular intervals, to ensure the optimum distribution of forces along the lifeline.



XSEdge 45° - 12500

The XSEdge 45° enables the direction of the lifeline cable to be changed. It is shaped specifically to allow a user to move safely without needing to disconnect from the lifeline.



XSEdge 90° - 12600

The XSEdge 90° enables the direction of the lifeline cable to be changed. It is shaped specifically to allow a user to move safely without needing to disconnect from the lifeline.



XSSlider - 12810

The XSSlider allows a user to move easily along the cable. Its unique shape and design enable smooth passage through brackets without disconnecting from the line. Hooking and unhooking the XSSlider is possible at any location on the wire rope. The locking system of the runner eliminates any possibility of incorrect manipulation during connection to the cable.



XSSlider Pro - 12820

The XSSlider Pro can easily make an angle of up to 40° thanks to the addition of the integrated guiding sleeve (a "rotating tube"). The guiding sleeve ensures that the XSSlider Pro passes brackets and corners more easily when working at an angle. The XSSlider Pro can only be used in combination with the XSPoint. The XSPoint is a special entrance and exit point which makes it impossible to disconnect the XSSlider Pro elsewhere on the system.

