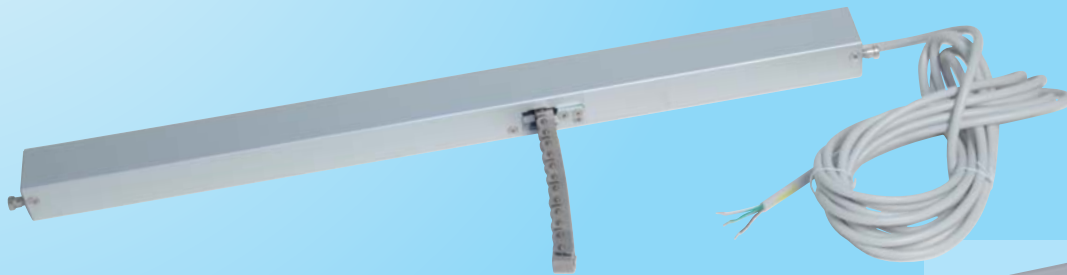


WMU 836

# CHAIN ACTUATOR 300N



## Description

- designed for surface mounting
- for smoke and comfort ventilation
- approved according to EN 12101-2 with selected profiles
  - please contact WindowMaster for further information
- complete opening of the window within 60 sec. (depending on the programming)
- to be used with all window types
- to be used together with  $\pm 24V$  control units or control units with MotorLink™
- can be used together with espagnolette WMB
- available with and without ETL certification:
  - Europe: order without ETL certification
  - USA / Canada: order with ETL certification (version UL)
    - no cable supplied
- synchronization of up to four window actuators – no need for an external synchronization module
- genuine position feedback and three speeds when using control unit with MotorLink™
- soft close function
- the electronics in this actuator can be programmed to suit specific requirements – i.e. pressure- and traction force, stroke, speed/sound level – with the WAT 100 programming box, also possible following installation
- built-in electronic load switch-off/end stop
- electronic actuator with micro controller
- the actuator has an integrated reverse function to ensure a prolonged life span of the window gaskets
- easy mounting
- actuators for USA and Canada are ETL certified and are supplied without cable

## Actuator variants

The actuator is available in four different versions: single actuator (-1), double actuator (-2), triple actuator (-3) and quad actuator (-4).

The synchro actuators (-2, -3 and -4) are equipped with a patented synchronization function, in which the actuators communicate directly with each other, which ensures the actuators operate at exactly the same speed and position. On large windows up to four actuators can be mounted on the same window – with no need for an external synchronization module.

## Opening speeds

One speed:

Actuators connected to  $\pm 24$  VDC control units (e.g. WUC) have one chain speed – see the following page for opening speed.

Three speeds:

Actuators connected to control units with MotorLink™ (e.g. WSC xxM) have three different speeds:

- slow speed by soundless automatic control of the windows
- faster speed by audible manual (keypads) control of the windows
- fast speed by smoke ventilation and security functions

Technical specifications	
Pressure force	See diagram
Traction force	300N
Locking force	3000N
Chain stroke	400, 600, 800 and 1000mm
Opening speed	11mm/s (programmable up to 14mm/s)
Window types	Tophung, bottomhung, pivot and turning window - vent size should be confirmed with the window supplier and WindowMaster
Nominal voltage	24 VDC (max. 10% ripple)
Voltage	20 - 36 VDC
Open circuit voltage	Max. 36 VDC
Current consumption	Max. 1,0A
Consumption of power	Max. 24W
Operating conditions	-5°C - +74°C, max. 90% relative humidity (not condensing)
Switch-on-duration	ED 40% (max. 4min. per 10min)
Material	Anodised aluminium housing with stainless steel chain WMU 836: with 5m grey silicone cable 3-cores 0.75m <sup>2</sup> WMU 836 UL: without cable
Colour	Anodized aluminium. RAL colours available at an additional price
Size	34 x 47mm (H x D), length (L) depending on chain stroke – see table
Weight	400mm: 2.2kg, 600mm: 2.6kg, 800mm: 3.0kg, 1000mm: 3.4kg
IP rating	IP32
Certification	Actuators with "U" in the article no. are ETL certified accordingly to UL 325 and CAN/CSA-22.2 No. 247-92
Fire test	Testet according to DIN 18232-3, part 3.6 (30 min./300°) and EN 12101-2 section 7.5
Life span	Tested with 10,000 opening and closing movements
Delivery includes	WMU 836: actuator with 5m cable WMU 836 UL: actuator without cable
To be ordered separately	Actuator bracket and chain bracket
Note	We reserve the right to make technical changes

Items	Chain stroke [mm]	Compressive force [N] *(only bottom hung window)	Length (L) [mm] (incl. screws = 18mm)	Item no. Europe	Item no. USA/Canada
Single actuator	400	300	568	WMU 836-1 0400	WMU 836-1 UL 0400
	600	300	668	WMU 836-1 0600	WMU 836-1 UL 0600
	800	0*	768	WMU 836-1 0800	WMU 836-1 UL 0800
	1000	0*	868	WMU 836-1 1000	WMU 836-1 UL 1000
Double actuator	400	300	568	WMU 836-2 0400	WMU 836-2 UL 0400
	600	300	668	WMU 836-2 0600	WMU 836-2 UL 0600
	800	0*	768	WMU 836-2 0800	WMU 836-2 UL 0800
	1000	0*	868	WMU 836-2 1000	WMU 836-2 UL 1000

Items continue on the next page

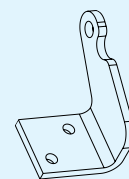
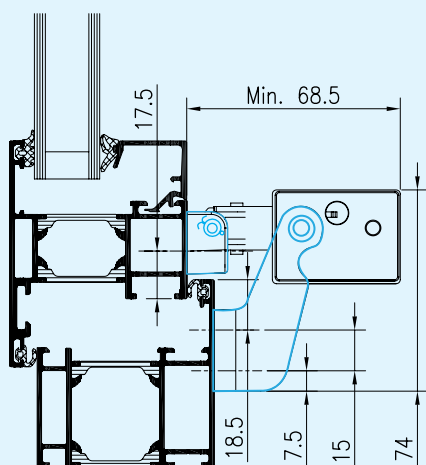
Items (contiued)	Chain stroke [mm]	Compressive force [N] * (only bottom hung window)	Length (L) [mm] (incl. screws = 18mm)	Item no. WMU 836	Item no. WMU 836 UL
<b>Triple actuator</b>	400	300	568	WMU 836-3 0400	WMU 836-3 UL 0400
	600	300	668	WMU 836-3 0600	WMU 836-3 UL 0600
	800	0*	768	WMU 836-3 0800	WMU 836-3 UL 0800
	1000	0*	868	WMU 836-3 1000	WMU 836-3 UL 1000
<b>Quad actuator</b>	400 mm	300 N	568 mm	WMU 836-4 0400	WMU 836-4 UL 0400
	600 mm	300 N	668 mm	WMU 836-4 0600	WMU 836-4 UL 0600
	800 mm	0 N*	768 mm	WMU 836-4 0800	WMU 836-4 UL 0800
	1000 mm	0 N*	868 mm	WMU 836-4 1000	WMU 836-4 UL 1000

Actuators approved according to EN 12101-2 - contact WindowMaster

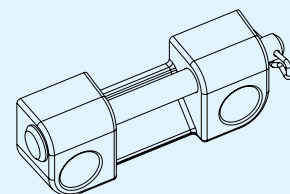
Accessories	Item no.
Shortening electronically of chain	WKK 836
Actuator bracket for WMU 836 / 936 / 866	WAB 836A
Actuator bracket for WMU 836 / 936 / 866	WAB 836B
Chain bracket for WMU 836 / 936	WAB 836E
Chain bracket for WMU 836 / 936	WAB 811
Actuator bracket for WMU 836 / 936	WAB 812
Actuator bracket for WMU 836	WAB 824
Z-Bracket for inward opening windows	WAB 825

**See separate product sheets for further information.**

### Installation suggestion 1



WAB 836B

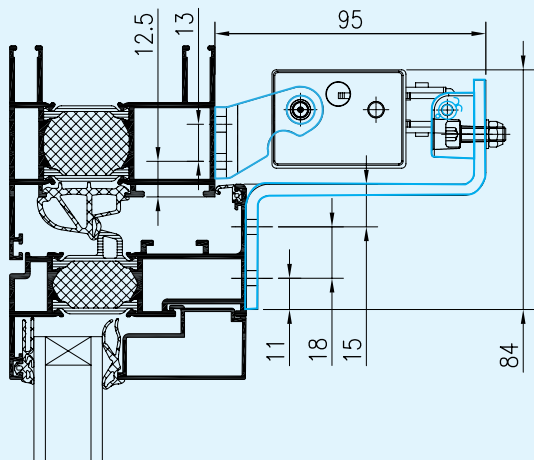


WAB 836E

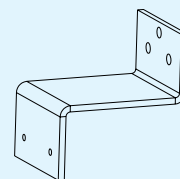
WMU 836

# CHAIN ACTUATOR 300N

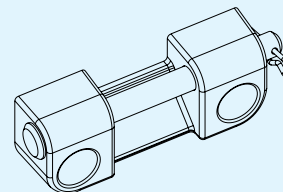
## Installation suggestion 2



WAB 824

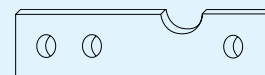
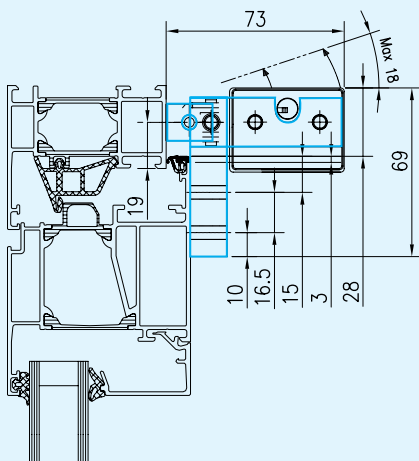


WAB 825

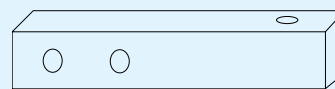


WAB 836E

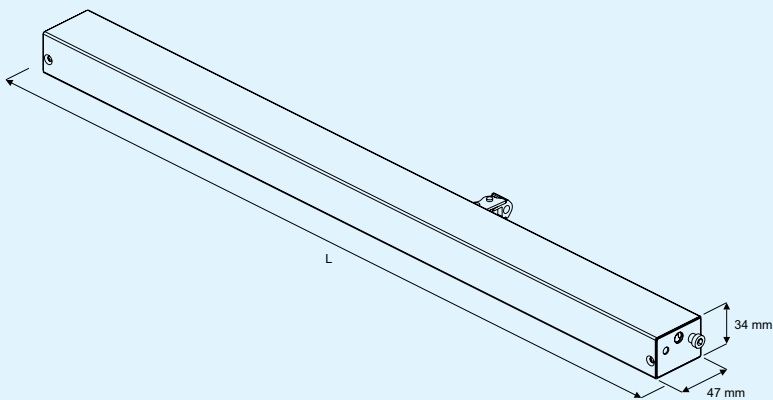
## Installation suggestion 3



WAB 812



WAB 811



L = Length (incl. screws) – see table of items

