

Wilkhahn

Modus. 26/27/28 range.





Modus Basic/Compact. 26/27 range.

Minimal materials used.
Maximum transparency.
Perfect adjustment.

Following a maxim of simplicity, some 30 years ago designers Klaus Franck and Werner Sauer created the FS-Line which became a classic example of dynamic seating. Modus was the two designers' translation of the principle to the aesthetics of the 21st century.

- The flexible, fork-shaped backrest made of unbreakable, high-efficiency plastic is covered with an exchangeable, breathable high-tech fabric. Without any upholstery, the backrest adapts to the shape, posture and movement of the person sitting on it.
- With its soft and rounded front edge, the breathable, upholstered seat allows the body to relax and prevents the pelvis from tilting. Because they are easy to exchange, the covers and upholstery guarantee the chair's useful life is virtually unlimited.
- The particularly comfortable and extremely compact automatic synchro-adjustment with torsion springs ensures the seat and backrest are lowered in perfect sync with your body. The stylish swivel arms, made of high-quality die-cast aluminium, are functional and design elements in equal measure.

It is no surprise that Modus has become an international benchmark for a new generation of office chairs. Much talked-about, but still one of a kind, it has remained in a class of its own till today: dynamic seating at its best.

Design:
Klaus Franck, Werner Sauer and wiege, Fritz Frenkler, Justus Kolberg



263/7 Basic



275/7 Compact



274/7 Compact



276/7 Compact



277/7 Compact



Modus Medium. 28 range.

An innovative look.
Suitably prestigious.
Excellent comfort.

What area says more about corporate culture than executive offices? Which is why prestige and constant values enjoy high priority in this case. The Modus Medium range offers a wider seat and back, with the stirrup-shaped armrests to comply with executive demands: modern – but not fashionable, obvious – but not dominant, comfortable – but not over the top, high quality – but not extravagant. And all that in first-rate ergonomic design that keeps both body and soul fit ... In terms of contemporary management style, it has it all.

A wide range of fabrics and leather, different frame surfaces and various types of upholstery to choose from, guarantee you can adapt the chairs to your own design requirements. Despite all the various options, Modus Medium reflects the typical and distinctive features of the Modus family, ensuring a standardised, progressive image.

Design:
Klaus Franck, Werner Sauer and wiege, Fritz Frenkler, Justus Kolberg



Modus Executive. 28 range.

Smart yet casual.

In positions of responsibility, office and conference chairs are the last things you cut back on. Which is why the Modus Executive range is all about quality not quantity. It combines the exceptional comfort and stylish appearance of Modus with exclusive and prestigious features: seat and backrest are covered in flat cushions with extremely supple leather. With carefully stitched seams, they emphasise the slender shape and also lend the furniture a high-quality informal appeal. Whether as office, conference or cantilever chair, Modus Executive stands for a contemporary and dynamic management style. Despite all the variety offered in terms of function, features and style - all Modus models have one thing in common: their superb look and first-class ergonomics.

Design:
Klaus Franck, Werner Sauer and wiege, Fritz Frenkler, Justus Kolberg

Modus Basic. 26 range. Technical details.

Wilkhahn



Function

Task chairs with backrest shell and automatic synchro-adjustment: the seat and backrest tilt adapt automatically to any posture the user adopts. When leaning back, the backrest tension increases proportionately. The person using the chair can adjust the tension precisely. The chair can be locked in the front position by engaging a lever. DIN 4550 compliant gas lift for precision adjustment of the seating height.

Frame

Task chairs

Five-star, die-cast aluminium base, coated, polished or bright chrome-plated. Twin wheel swivel castors with load-dependent braking, made of black polyamide compliant with DIN EN 12529 as the standard version for carpets; with grey polyurethane tyre for hard floors. Castors optionally electrically conductive. Die-cast aluminium swing plates, coated in the same colour to match the star base, polished or bright chrome-plated. Black-coated sheet steel mechanism shell.

Counter stool

Star base from the ON 170 range, with additional height-adjustable foot ring, bright chrome-plated, with lock screw to affix it and twin wheel swivel castors with load-dependent braking.

Seat

Seat shell in black, viscoelastic polypropylene. Cushioning: covered polyurethane one-piece moulded foam. Replaceable cover. Side facing: black polyamide for fabric cover and embossed leather in the same colour for leather cover.

Backrest

Task chairs

Backrest shell in black through-dyed, viscoelastic polypropylene with replaceable back cushioning in covered, cut foam and with integrated, adjustable lumbar support on request.

Armrests

Task chairs

Armrests in black, glass-fibre-reinforced polyamide. Task chair model 263/7 also with height-adjustable armrests in the same material. The Modus Basic task chairs comply with DIN EN 1335, ANSI/BIFMA X 5.1 and other international office chair standards. They meet the requirements of category B of the DIN EN 1335 office chair standard.



www.tuv.com
ID 1000000000

Design:
Klaus Franck, Werner Sauer and wiege, Fritz Frenkler, Justus Kolberg

Subject to change.

Modus Compact. 27 range. Technical details.

Wilkhahn



Function

Task chairs with backrest and automatic synchro-adjustment: the seat and backrest tilt adapt automatically to any posture the user adopts. When leaning back, the backrest tension increases proportionately. The person sitting on the chair can adjust the tension precisely. The chair can be locked in the front position by engaging a lever. DIN 4550 compliant gas lift for precision adjustment of the seating height. Conference / visitor chairs, swivel-mounted with automatic synchro-adjustment, but without front locking position, without any option to precision-adjust the height, also available in a four-leg version or as a cantilever chair, optionally stackable.

Frame

Conference/visitor and task chairs

Die-cast aluminium five-star base, coated, polished, or bright chrome-plated. Twin wheel swivel castors with load-dependent braking, made of black polyamide compliant with DIN EN 12529 as the standard version for carpets; with grey soft polyurethane tyre for hard floors. Castors optionally electrically conductive. Black polyamide glides as the standard version for carpeting, with polyurethane glides for hard flooring. Die-cast aluminium swing plates, coated in the same colour to match the star base, polished or bright chrome-plated. Black-coated sheet steel mechanism shell.

Counter stool

Star base from the ON 170 range, with additional height-adjustable, bright chrome-plated foot ring, with lock screw to affix it and twin wheel swivel castors with load-dependent braking.

Four-leg visitor chair

Legs made of aluminium oval tubing, bright chrome-plated, clear anodised or coated. Black polyamide glides as the standard version for carpets and in black polyurethane for hard floorings, with extra felt insert on request.

Cantilever chairs

Frame made of round steel tubing, bright chrome-plated, matt chrome-plated or coated, with anti-tilt stoppers as the standard version for carpeted floors; with additional glides for hard floors, with additional felt insert on request. The stackable version is only available as a bright chrome-plated model.

Seat

Seat shell in black, viscoelastic polypropylene. Cushioning: covered polyurethane one-piece moulded foam. Replaceable cover. Side facing: black polyamide for fabric cover and embossed leather in the same colour for leather cover.

Backrests

Task and visitor chairs

Glass-fibre-reinforced black polyamide frame. Replaceable frame cover made of black polyamide closed-weave or transparent fabric. At the front, non-transparent material can optionally be covered and padded with cut foam. Standard height and medium height backrest with crescent shaped grip, with a fabric cover, covered with black embossed leather, if with a leather cover to colour-match the leather. High backrest with curved shoulder support, in the case of fabric covers covered with black embossed leather, with leather colours to colour-match the leather. Backrests on task chairs 273, 274 and 275 optionally with integral, adjustable lumbar support (no possible for the version with transparent fabric).

Design:
Klaus Franck, Werner Sauer and wiege, Fritz Frenkler, Justus Kolberg

Subject to change.

Modus Compact. 27 range. Technical details.

Wilkhahn

Cantilever chairs

Tubular steel frame to match the base frame, bright chrome-plated, matt chrome-plated or coated. Replaceable frame cover made of black polyamide closed-weave or transparent fabric. At the front, non-transparent material can optionally be covered and padded with cut foam. In the case of cantilever chairs 277/7 and 279/7, crescent shaped grip made of black polypropylene, in the version with transparent fabric the crescent shaped grip is covered with embossed leather when the chair has fabric or leather covers, when the backrest is covered with fabric, the crescent shaped grip is covered with black embossed leather and when the backrest is covered with leather to colour-match the leather.

Armrests

Conference/visitor and task chairs

Armrests in black, glass-fibre-reinforced polyamide, height-adjustable on request.

Four-leg visitor chair

Armrests in black, glass-fibre-reinforced polypropylene.

Cantilever chairs

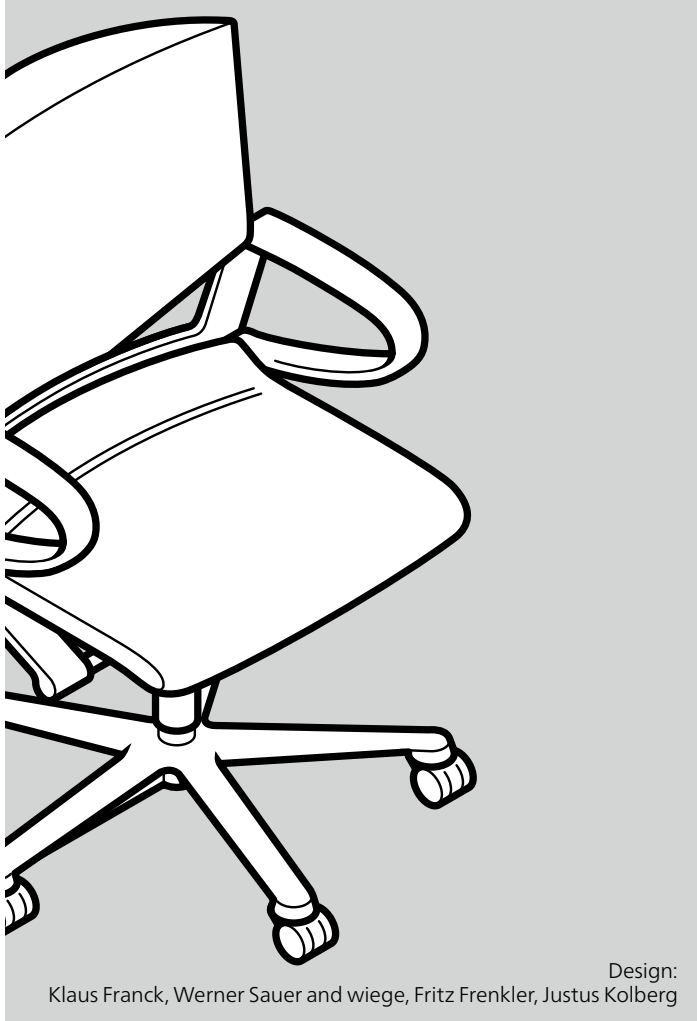
Armrest pads made of black polypropylene or beech laminated, with a natural finish.

The Modus Compact task, visitor and conference chairs comply with DIN EN 1335, ANSI/BIFMA X 5.1 and other international office chair standards. They meet the requirements of category B of the DIN EN 1335 office chair standard. The Modus cantilever and four-leg visitor chairs comply with the DIN EN 16139-L1 and ANSI/BIFMA X 5.1 office chair standards.



Modus Medium. 28 range. Technical details.

Wilkhahn



Function

Task chair with covered backrest and automatic synchro-adjustment: the seat and backrest tilt adapt automatically to any posture the user adopts. When leaning back, the backrest tension increases proportionately. The person sitting on the chair can adjust the tension precisely. The chair can be locked in the front position by engaging a lever. DIN 4550 compliant gas lift for precision adjustment of the seating height. Swivel-mounted conference/visitor chairs with automatic synchro-adjustment and precision adjustable height, optionally with rigid, four-star seat bearer or as a cantilever chair.

Frame

Task chair

Five-star, die-cast aluminium base, coated, polished or bright chrome-plated. Conference/visitor chairs with four-star, die-cast aluminium base, coated, polished or bright chrome-plated. Twin wheel swivel castors with load-dependent braking, made of black polyamide compliant with DIN EN 12529 as the standard version for carpets; with grey soft polyurethane tyre for hard floors. Castors optionally electrically conductive. Black polyamide glides as the standard version for carpeting, with polyurethane glides for hard flooring. Die-cast aluminium swing plates, coated in the same colour to match the star base, polished or bright chrome-plated. Black-coated sheet steel mechanism shell.

Conference and visitor chairs

Model 281/5 with a four-star seat bearer made of die-cast aluminium, coated in the same colour to match the star base, polished or bright chrome-plated.

Cantilever chairs

Frame made of round steel tubing, bright chrome-plated, matt chrome-plated or coated, with anti-tilt stoppers as the standard version for carpeted floors; with additional glides for hard floors, with additional felt insert on request.

Seat

Seat shell in black, viscoelastic polypropylene. Cushioning: covered polyurethane one-piece moulded foam. Replaceable cover. Side facing: black polyamide for fabric cover and embossed leather in the same colour for leather cover.

Backrests

Task and visitor chairs

Glass-fibre-reinforced black polyamide frame. Replaceable frame cover made of black polyamide closed-weave or transparent fabric, padded when in the closed-weave version. At the front, non-transparent material can optionally be covered and padded with cut foam. Standard height and medium height backrest with crescent shaped grip, with a fabric cover, covered with black embossed leather, if with a leather cover to colour-match the leather. High backrest with curved shoulder support, in the case of fabric covers covered with black embossed leather, with leather colours to colour-match the leather. Task chair with height-adjustable lumbar support on request.

Design:
Klaus Franck, Werner Sauer and wiege, Fritz Frenkler, Justus Kolberg

Subject to change.

Modus Medium. 28 range. Technical details.

Wilkhahn

Cantilever chairs

Tubular steel frame to match the base frame, bright chrome-plated, matt chrome-plated or coated. Replaceable frame cover made of black polyamide closed-weave or transparent fabric. At the front, non-transparent material can optionally be covered and padded with cut foam. The crescent shaped grip is covered with black embossed leather, when the chair has a leather cover to colour-match the leather.

Armrests

Task and visitor chairs

Armrests in black, glass-fibre-reinforced, fine grained polyamide. On request with black embossed leather covering, if the chair is covered in leather to colour-match the leather. Optional die-cast aluminium armrests, polished or bright chrome-plated, in the case of fabric covers with black leather covering, in the case of leather covers to colour-match the leather.

Cantilever chairs

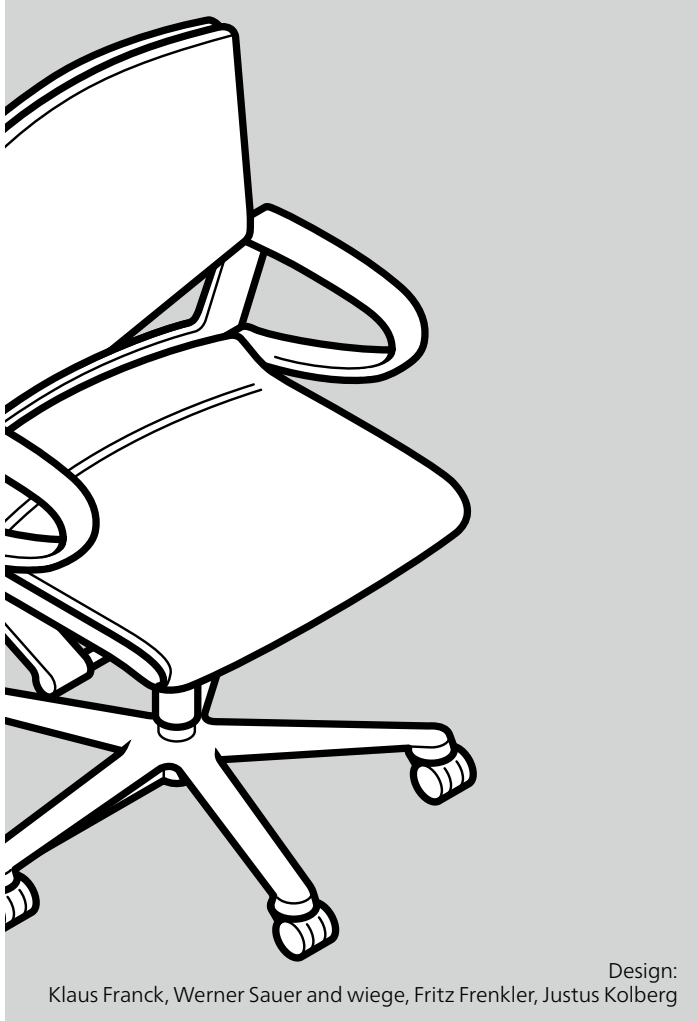
Armrest pads made of beech laminated, with a natural finish, polypropylene on request with black embossed leather covering, if the chair is covered in leather to colour-match the leather.

The Modus Medium task, conference and visitor chairs comply with DIN EN 1335, ANSI/BIFMA X 5.1 and other international office chair standards. They meet the requirements of category C of the DIN EN 1335 office chair standard. The Modus cantilever chair comply with the DIN EN 16139-L1 and ANSI/BIFMA X5.1 standards.



Modus Executive. 28 range. Technical details.

Wilkhahn



Function

Task chair with backrest with luxurious upholstery and automatic synchro-adjustment: the tilt of the seat and backrest adjust automatically to any posture the user adopts. When leaning back, the backrest tension increases proportionately. The person using the chair can adjust the tension precisely. The chair can be locked in the front position by engaging a lever. DIN 4550 compliant gas lift for precision adjustable seating height. Swivel-mounted conference/visitor chairs with automatic synchro-adjustment and precision adjustable height, optionally with rigid, four-star seat bearer or as a cantilever chair.

Frame

Task chairs

Five-star base in die-cast aluminium, bright chrome-plated or polished. Conference/visitor chairs with four-star base in die-cast aluminium, bright chrome-plated or polished. Twin wheel swivel castors with load-dependent braking, made of black polyamide compliant with DIN EN 12529 as the standard version for carpets; with grey polyurethane tyre for hard floors. Castors optionally electrically conductive. Black polyamide glides as the standard version for carpeting, with polyurethane glides for hard flooring. Die-cast aluminium swing plates, polished or bright chrome-plated to match the star base. Black-coated sheet steel mechanism shell. Conference/visitor chair model 281/91 with a four-star seat bearer made of die-cast aluminium, coated in the same colour to match the star base, polished or bright chrome-plated.

Cantilever chairs

Round steel tubing frame, bright- or matt-chrome-plated with anti-tilt stoppers as the standard version for carpeted floors; with additional glides for hard floors, with additional felt insert on request.

Seat

Seat shell in black, viscoelastic polypropylene. Cushioning: covered polyurethane one-piece moulded foam. Replaceable cover. Side facing made of embossed leather to match the colour of the leather on the seat.

Backrests

Task and visitor chairs

Glass-fibre-reinforced black polyamide frame. Replaceable frame cover made of black polyamide fabric, seat and backrest with leather-covered flat cushioning. With a covered back on request. Standard height backrest with a straight upper edge. High backrest with curved shoulder support, with leather-covered flat cushioning.

Cantilever chairs

Tubular steel frame to match the frame, bright chrome-plated or matt chrome-plated. Replaceable frame cover made of black polyamide fabric, seat and backrest with leather-covered flat cushioning. With a covered back on request. Standard height backrest with a straight upper edge.

Design:
Klaus Franck, Werner Sauer and wiege, Fritz Frenkler, Justus Kolberg

Subject to change.

Modus Executive. 28 range. Technical details.

Wilkhahn

Armrests

Task chairs

Armrests in black, glass-fibre-reinforced, fine grained polyamide, with additional, embossed leather covering to match the colour of the chair leather. Optional armrests made of die-cast aluminium, polished aluminium or bright chrome-plated aluminium with leather covering and top stitching to match the colour of the chair leather.

Conference/visitor chairs

Optional armrests made of die-cast aluminium, polished aluminium or bright chrome-plated aluminium with leather covering and top stitching to match the colour of the chair leather.

Cantilever chairs

Leather-covered armrest pads to match the colour of the chair leather.

Standards

The Modus Executive task chairs comply with DIN EN 1335, ANSI/BIFMA X 5.1 and other international office chair standards. They meet the requirements of category C of the DIN EN 1335 office chair standard.

The Modus cantilever chairs comply with the DIN EN 16139-L1 and ANSI/BIFMA X 5.1 standards.



Modus. 26/27/28 range. Product types.

Wilkhahn



263/7 Basic
Task chair
Standard height backrest



275/7 Compact
Task chair
Medium-height backrest



274/7 Compact
Task chair
High back



277/7 Compact
Cantilever chair
Standard height backrest



281/5 Medium
Conference/visitor chairs
Standard height backrest



283/81 Executive
Task chair
Standard height backrest



284/81 Executive
Task chair
High back

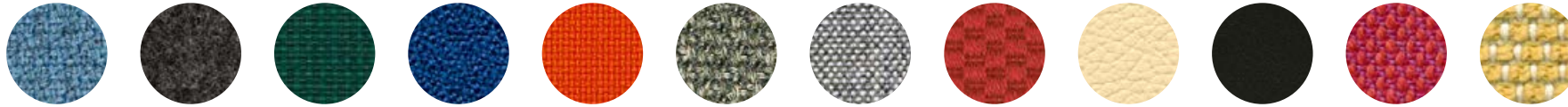


287/81 Executive
Cantilever chair
Standard height backrest

Modus. 26/27/28 range. Upholstery types / frame types.

Wilkhahn

Upholstery material (not all upholstery materials apply to all types)



54 | 60 | 62 | 63 | 66 | 67 | 68 | 69 | 74 | 87 | 91 | 92 | You can find all upholstery materials and more colours in our media center. Modus Executive only available in leather.

Frame surfaces, star bases and swivel arms

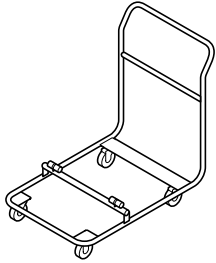


Bright chrome-plated or polished aluminium, coated black or in a silver satin finish, matt chrome-plated instead of polished cantilever chair

Modus Compact. 27 range. Accessories and other items.

Wilkhahn

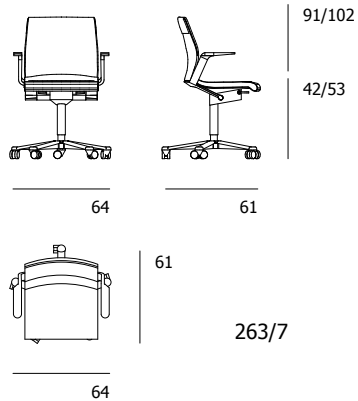
277 Four-wheeled trolley
(for 6 stackable cantilever chairs)



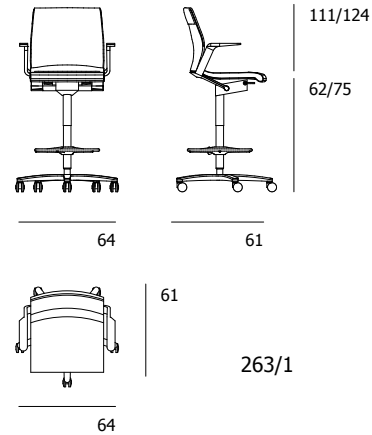
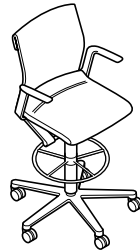
Modus Basic. 26 range. Models and dimensions.

Wilkhahn

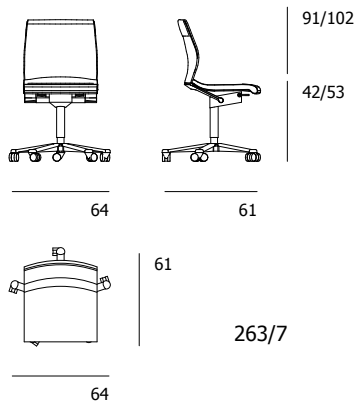
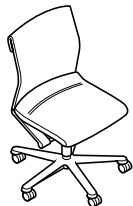
263/7
Task chair



263/1
Counter chair



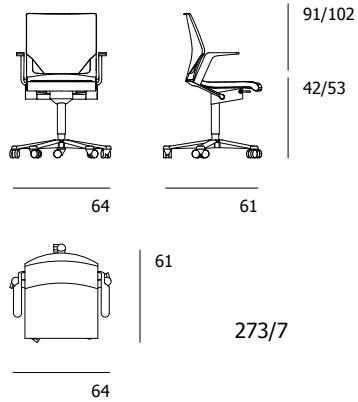
263/7
without armrests



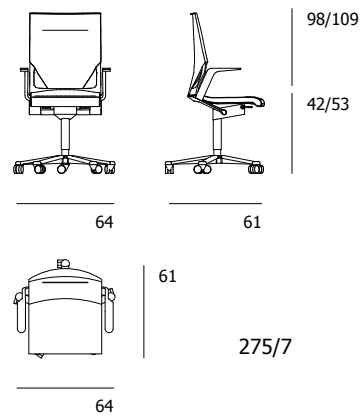
Modus Compact. 27 range. Models and dimensions.

Wilkhahn

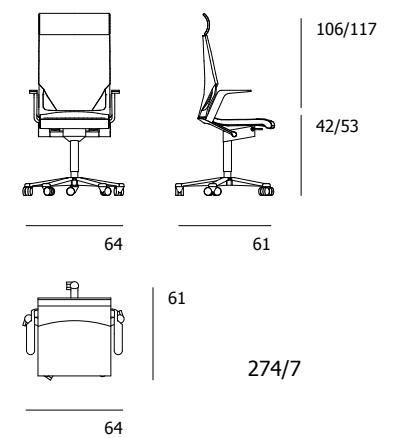
273/7
Task chair



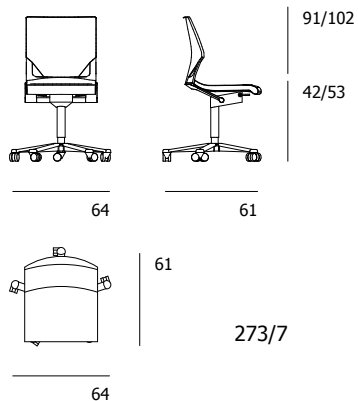
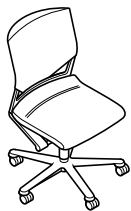
275/7
Task chair



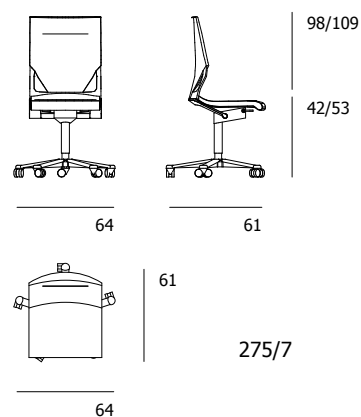
274/7
Task chair



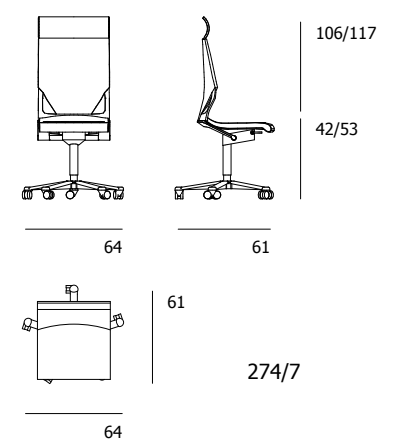
273/7
without armrests



275/7
without armrests



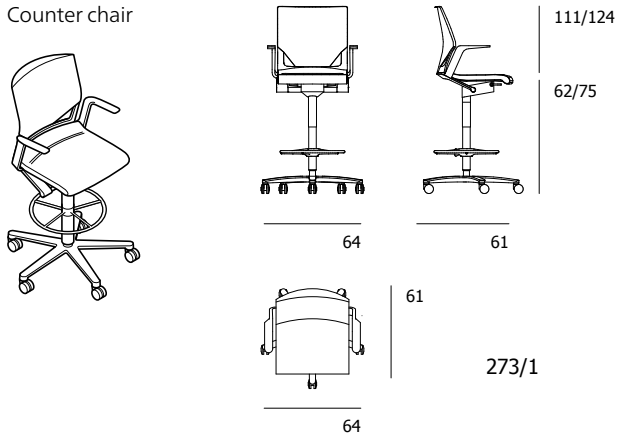
274/7
without armrests



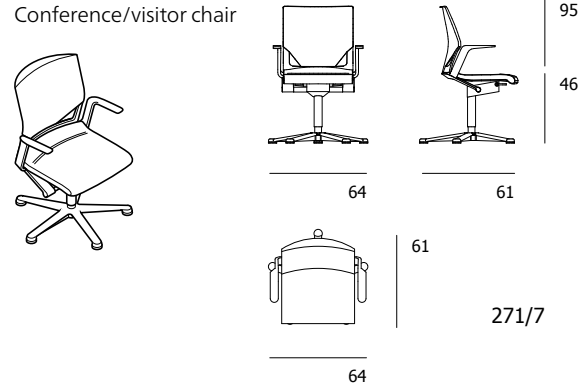
Modus Compact. 27 range. Models and dimensions.

Wilkhahn

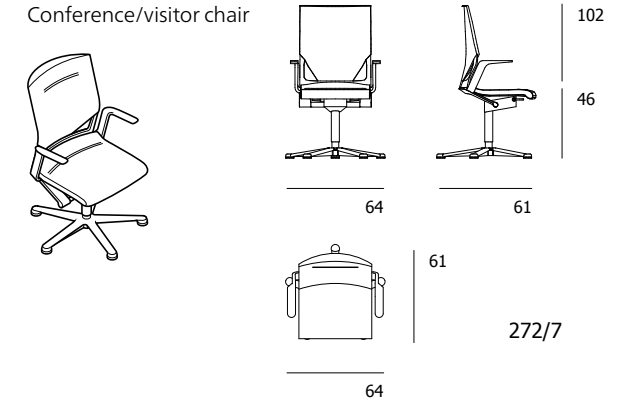
273/1
Counter chair



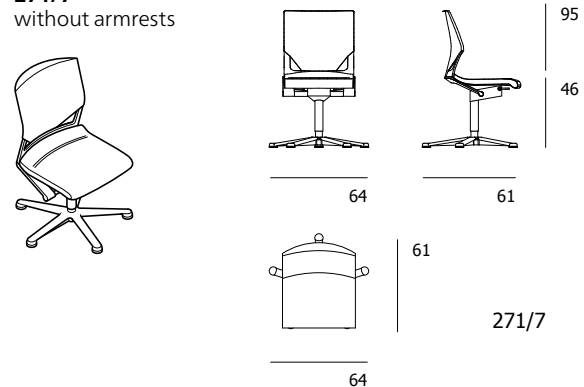
271/7
Conference/visitor chair



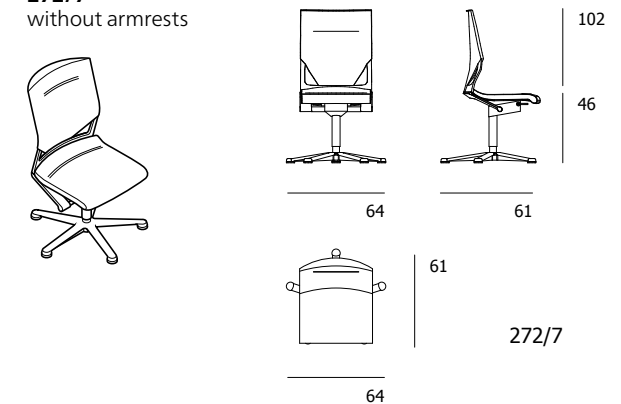
272/7
Conference/visitor chair



271/7
without armrests



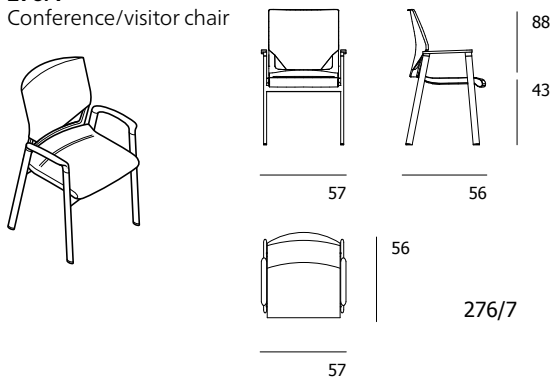
272/7
without armrests



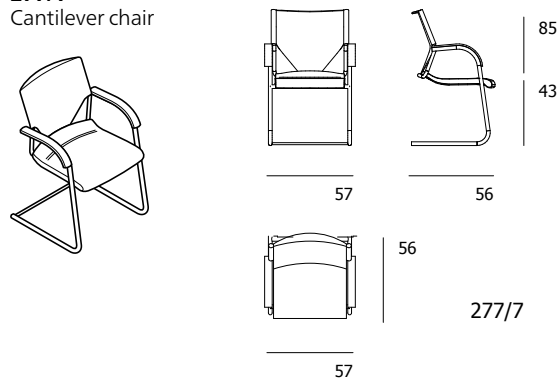
Modus Compact. 27 range. Models and dimensions.

Wilkhahn

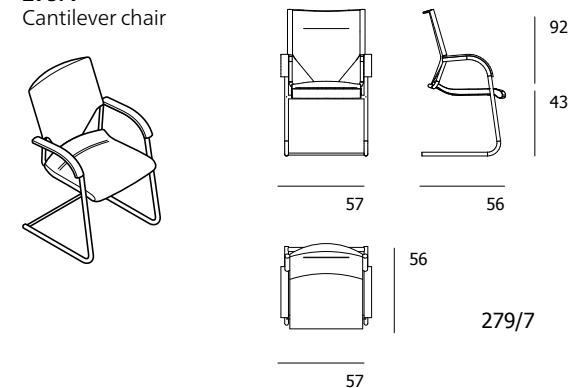
276/7
Conference/visitor chair



277/7
Cantilever chair



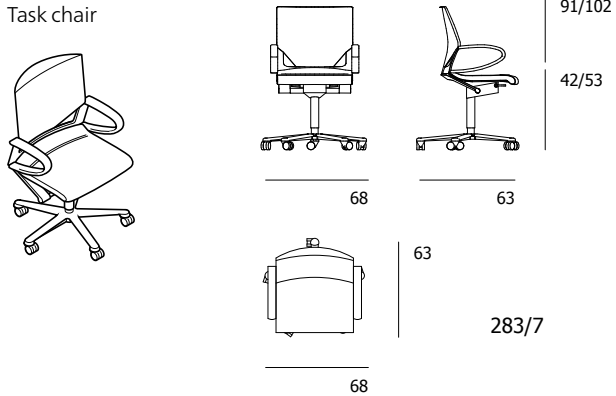
279/7
Cantilever chair



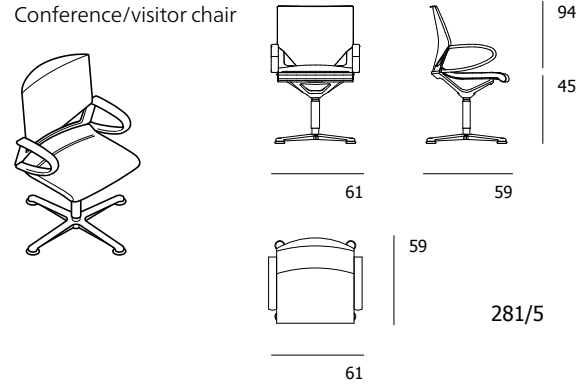
Modus Medium. 28 range. Models and dimensions.

Wilkhahn

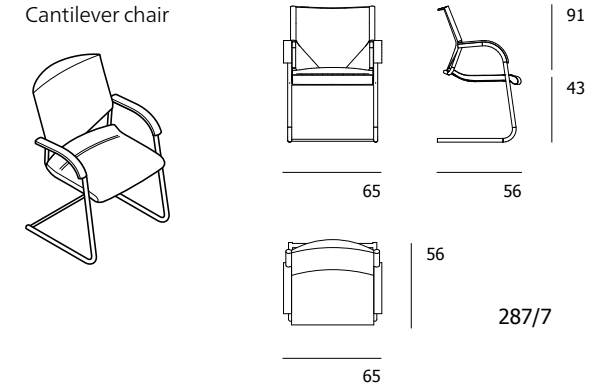
283/7
Task chair



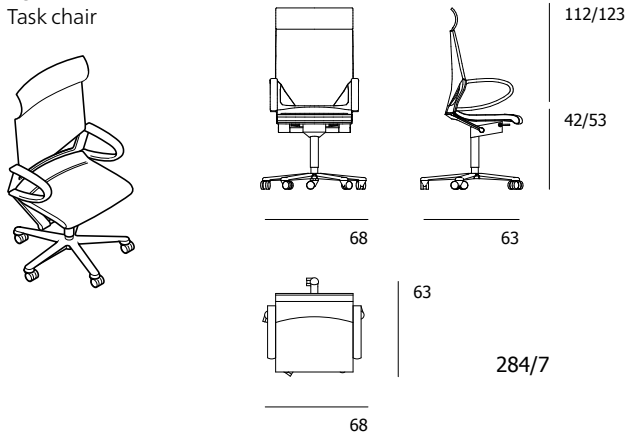
281/5
Conference/visitor chair



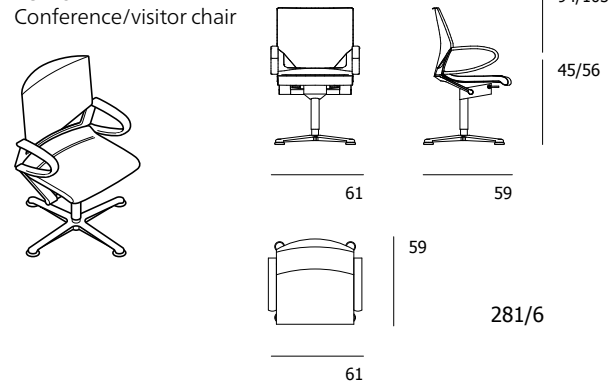
287/7
Cantilever chair



284/7
Task chair



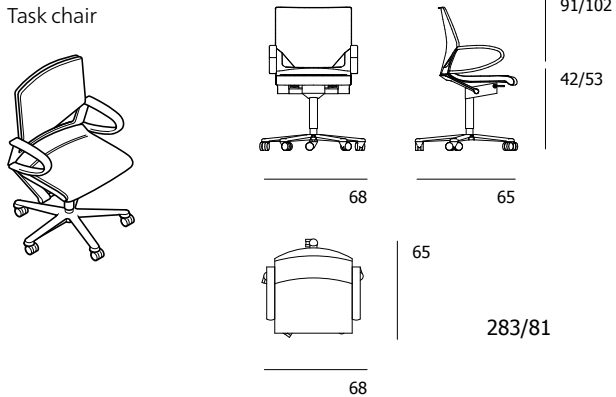
281/6
Conference/visitor chair



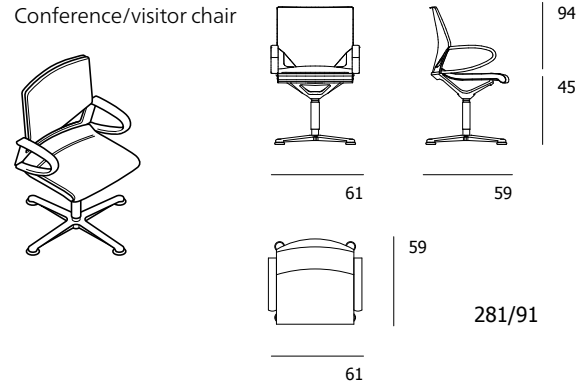
Modus Executive. 28 range. Models and dimensions.

Wilkhahn

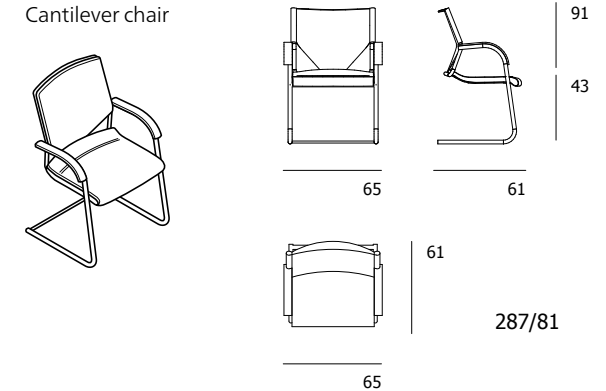
283/81
Task chair



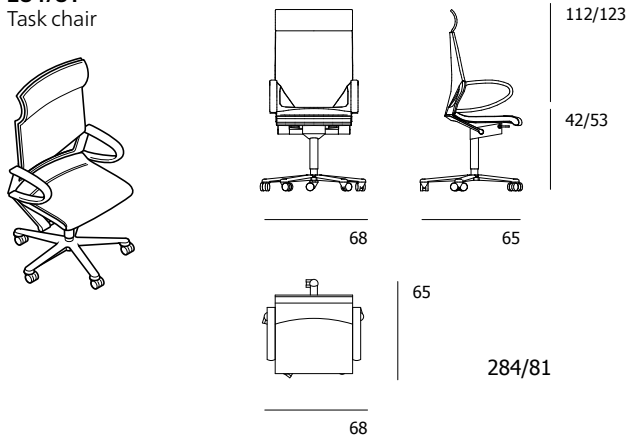
281/91
Conference/visitor chair



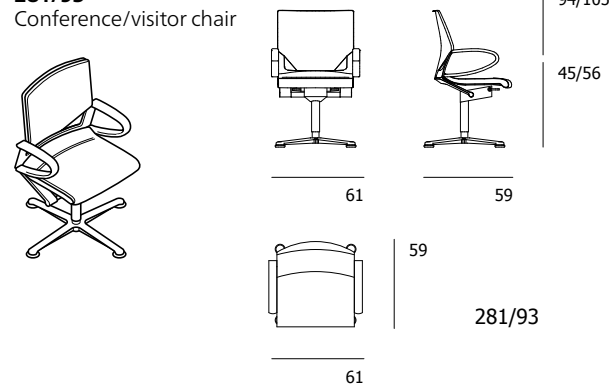
287/81
Cantilever chair



284/81
Task chair



281/93
Conference/visitor chair



Modus. 26/27/28 range. Awards / standards / certificates.

Wilkhahn

Awards



Design Preis Schweiz
Prix Design Suisse
Design Prize Switzerland



Not all awards apply to all types.

Product certificates / product standards



DIN EN 1335 ANSI / BIFMA X 5.1 DIN EN 16139-L1

Not all certificates / standards apply to all types.

Company's certificates, memberships



Environment and product Modus – Compact and Modus Executive

Eco-design: combination of predictability and change

The yearning for predictability on the one hand and for change on the other hand is as old as humanity itself. From the very start, Modus was therefore designed as a modular product concept that combines virtually limitless re-use of all high-quality, technical parts with easy exchange of seat and backrest covers.

- The frames and the modelled swing plates in die-cast aluminium, the seat shell in flexible, through-dyed polypropylene with a seat cushion in CFC-free polyurethane foam inserted without the use of any adhesive, the back frame and armrests in break-proof, glass fibre-reinforced polyamide and the compact, the maintenance-friendly synchro mechanism comprising coordinated torsion rods in high-performance steel and cast steel are designed for maximum service life. All metal components and the seat shell are 100% recyclable.
- Just four screws have to be loosened to allow the back frame and the seat to be disassembled and the cover to be exchanged if there are signs of wear or a new look is desired. The innovative upholstery technology guarantees that the finely crafted covers are attached to the upholstery and the seat shell in a secure and integrated way without having to use any adhesive.
- Numerous customers throughout the world now use the Wilkhahn service of giving “their” Modus a completely new appearance after years of intensive use without having to replace complete sets of components or even the entire chair. This combines both predictability and change, and economics and ecology.

In addition to reduced material input, clearly coded materials, which are as far as possible one-type only, and simple dismantability, this synthesis makes Modus first choice among high-quality, first-class office chairs from an ecological point of view too.