

**NEW
DESIGN**

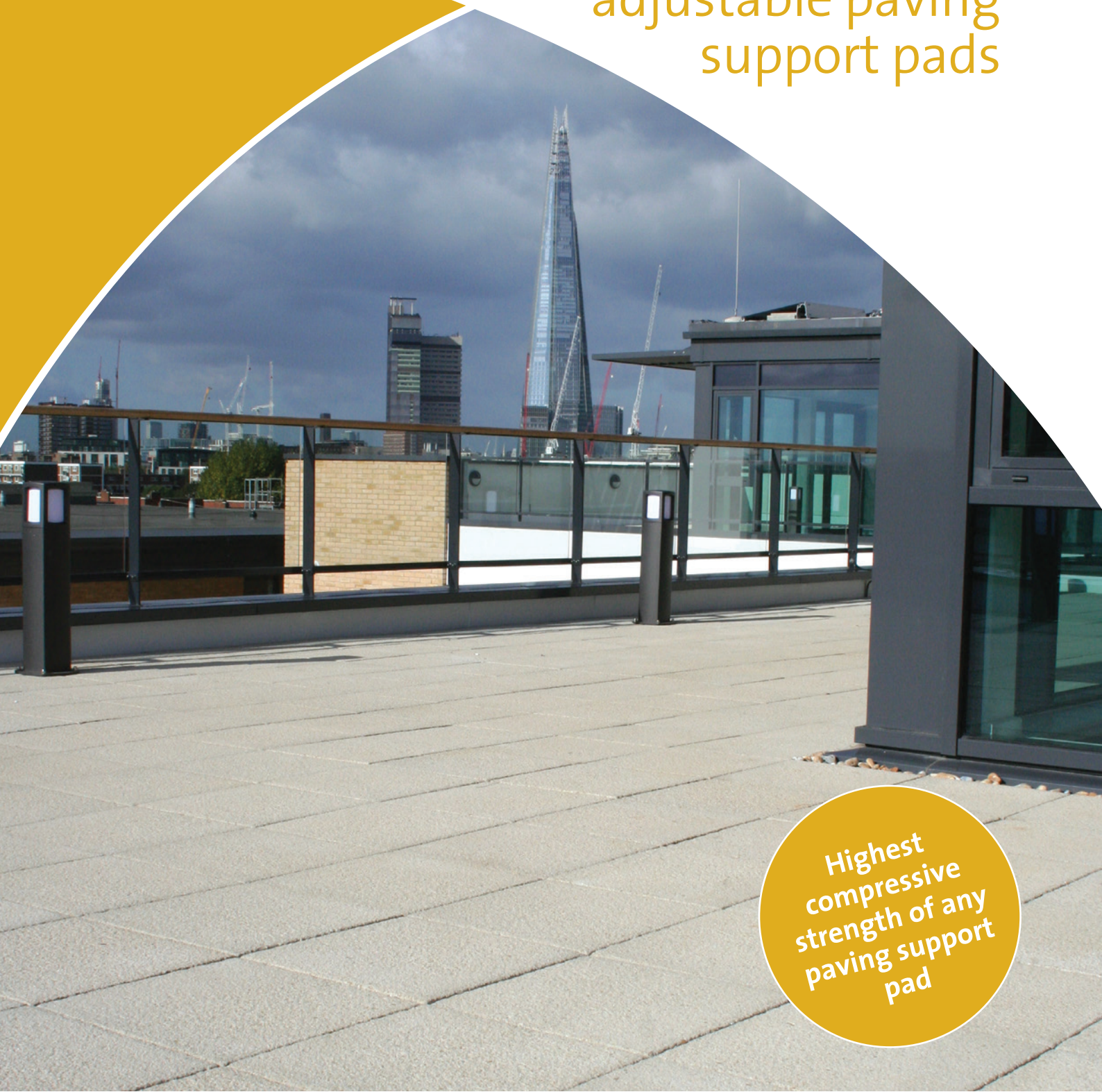
CI/SfB

(49)

Xn6

 **em-pad**

adjustable paving
support pads



Highest
compressive
strength of any
paving support
pad

Innovative rooflight solutions
Unsurpassed service



Whitesales®
Rooflights & more...

Product overview

Em-Pad

adjustable paving support system

Description

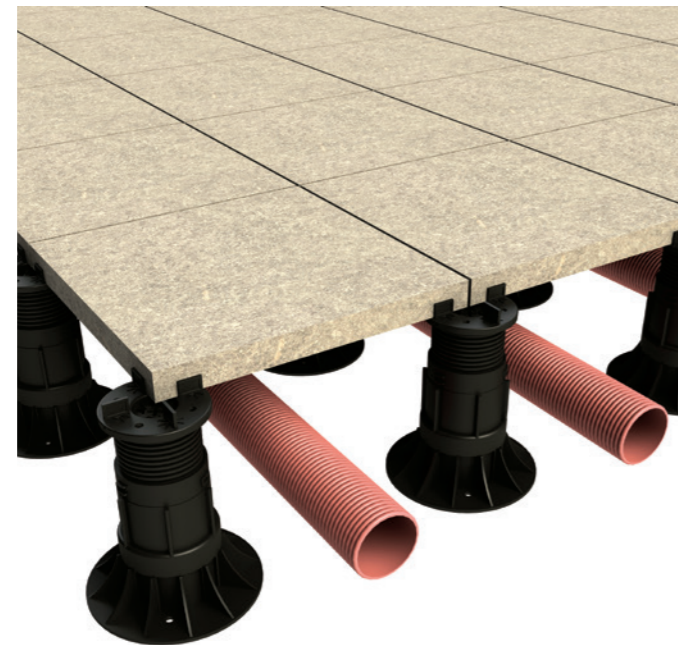
Looking to create a perfectly level paving or decking area on an uneven surface? Em-Pad provides the simplest and fastest solution.

With its **unique self-levelling head design**, Em-Pad allows for rapid installation over uneven or sloping areas, accommodating anything up to 10.5% gradient (6°).

Em-Pad also has a **height range spanning 40mm – 1000mm**. This capacity allows drainage below the slabs as well as space to conceal pipes, cables, and other utility installations. In addition, slabs can easily be removed at any time to allow for on-going maintenance.

Em-Pad is manufactured from solid polypropylene and has the **highest compression tolerance of any paving pedestal in the world**, withstanding in excess of 2100Kg* of compression.

Em-Pad is suitable for use with all conventional paving and decking systems.



Components

Standard components:

- 1 Base
- 2 Height extension collar (100mm)
- 3 Adjustable threaded section
- 4 Self-levelling head
- 5 Removable spacer tabs

Optional extra components:

- 6 Head locking ring
- 7 Perimeter spacer tabs



Benefits

→ **Rapid installation:** Unique self levelling head massively reduces installation time and complexity, when compared with other pedestals that require the slope correction to be manually 'dialed' in, or shims to be inserted below the base of the pedestal. Em-Pad can accommodate slopes of up to 10.5% (6°).

→ **Impressive height range:** Millimetre perfect adjustment from 40mm – 1000mm, allowing for level paving or decking areas to be achieved over the most challenging surfaces.

→ **Extremely robust:** Manufactured from heavy-duty chemical resistant solid polypropylene, each Em-Pad has a compression tolerance in excess of 2100 Kg.

→ **Protects membranes:** With its large 220mm diameter base (or 210mm diameter for models EMP1 – EMP3), Em-Pad creates an evenly spread load on the surface below, ensuring that membranes are well protected. The unique Em-Pad perimeter spacer also protects membranes from the abrasive edges of the slabs/decking at wall abutments/parapet.

→ **Next day delivery:** Thanks to very large stock-holding and an efficient delivery system, Em-Pad is available for next day delivery to any yard or site throughout the UK!

Unique spacer tab design

Em-Pad incorporates unique spacer tab design for optimum versatility.

Removable spacer tabs

- Four tabs supplied as standard with each Em-Pad
- Can be inserted or removed as required
- Can each be rotated to four different positions, allowing for effective support of almost any structure or detail

Perimeter spacer tabs

- Optional extra component
- For use at wall abutments or parapet details
- Extends out from the side of the self-levelling head, providing consistent spacing between the wall abutment and the slabs or decking material
- As well as protecting the membrane, this also ensures that the paved or decked area is rigidly 'locked in' by preventing any lateral movement



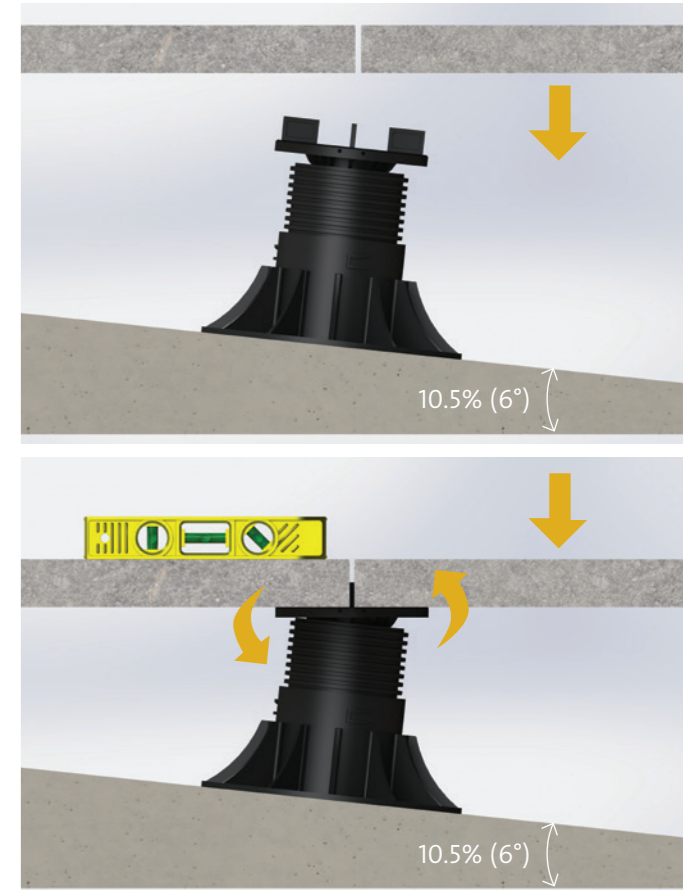
Innovative self-levelling 'slope-correction' head

Due to its innovative self-levelling head design, Em-Pad has the fastest installation time of any pedestal system available!

- Utilises the 'ball & socket' joint concept to allow a free moving captive head
- Provides slope correction of up to 10.5% (6°)
- Paving or decking is laid onto the pedestals without having to manually adjust slope correction. This results in significant time savings and a perfectly level finished area

Head locking ring

- Optional extra component
- For installation onto areas that are totally level (0° fall)
- Holds the head in a totally level position, further speeding up the installation process



Em-Pad sizes

* Certified compression data available on request

EMP1 – EMP6 have been tested according to 'Catas Procedure – Compressive Strength', certified compression strength data is available on request. EMP7 – EMP13 have not been tested according to the same procedure, however these items comprise only components that are utilised in the EMP1 – EMP6 range.



T-Pad stackable paving support pads

Where a perfectly level paving or decking area is required on a flat surface, such a roof area with 0° fall, T-Pad provides a simple and cost effective solution. T-Pad allows for consistent drainage, as well as allowing the paving or decking to be removed at any time to allow for on-going maintenance. All T-Pads are suitable for use with all conventional paving and decking systems.



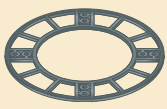
TP10 paving support pad

- Thickness: 10mm
- Diameter: 150mm
- Ideal for applications where ultra-low support height is required
- Stackable to 6 units high, providing support height of 60mm
- Manufactured from polypropylene



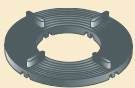
TP15 paving support pad

- Thickness: 15mm
- Diameter: 150mm
- Stackable to 6 units high, providing support height of 90mm
- Manufactured from polypropylene



TP3 shim

- Thickness: 3mm
- Diameter: 150mm
- Compatible with TP10 and TP15, for use where fine height adjustment is required to compensate for imperfections in the area that is to be paved or decked.
- Manufactured from polypropylene



TPR9 paving support pad

- Thickness: 9mm
- Diameter: 120mm
- Traditional-style paving support pad
- Manufactured from solid rubber
- Shock absorbent properties make it ideal for use with old or less durable membranes.

Support services

Advice and technical assistance on the application and specification of the Em-Pad and all our products are readily available from Whitesales. Whether it's technical specification writing, site surveys, condition reports and budget costings or a fully detailed quotation, we cover it all.

A comprehensive library of product data sheets and CAD drawings are also available along with NBS specifications. For projects where we have undertaken a rooflight site survey we offer a CAD roof plan drawing service.

The Whitesales customer service team will be available to assist you every step of the way.

Call us on 01483 271371 to discover how T-Pad can help you quickly and economically install paving or decking to a level surface, whether it be a roof area, balcony, ground-level area, or heavily trafficked public area.

Call us on 01483 271371 or email sales@whitesales.co.uk for more information

Why use Whitesales?

Whitesales has over 20 years' experience in the manufacture and distribution of speciality flat roofing products including a wide range of rooflights, trims and accessories. We have the dedication and resource to fulfil the most demanding of requirements throughout the UK. Our experienced and expert personnel have an in-depth knowledge of industry regulations, which ensures we provide up to date advice on fully compliant solutions. Also, we invest in ecologically friendly business processes meaning that our products are from sustainable sources.

For further technical advice, call
Whitesales on 01483 271371

Testimonials

Here's what some of our customers had to say about Whitesales...

"You are the first manufacturer I have dealt with that has contacted me after I have placed an order to advise me on delivery dates, it is usually me chasing manufacturers. You are absolutely amazing."

"May I take this opportunity to say thank you for your continued excellent service that we have enjoyed over the past 20 years. I have always found that Whitesales provide us with excellent products backed by good technical back-up and a very courteous sales team!"

"The phrase 'Outstanding Service' is not one I use often but it applies to everyone at Whitesales, for the assistance given and general helpful attitude which is outstanding."

"Good service, good technical service, good products and good prices. We have a long-term relationship with this company, and Whitesales helped us when we formed our new business."



Whitesales Europa House Alfold Road Cranleigh GU6 8NQ

Tel 01483 271371 Fax 0148 3 271771 E-mail sales@whitesales.co.uk www.whitesales.co.uk