

# XR1

Compact LED Downlighter

Whitecroft  
lighting

100+  
LL/CW

IP44

LED



## Optics

- Output options;
  - 1200 lumens (12W)
  - 2000 lumens (22W)
- Supplied complete with integrated white reflector
- Two colour temperature options:
  - 'Cool' white 4000K
  - 'Warm' white 3000K
- Integral emergency options in 3hr or COMEPEPS (COMEPEPS can be wired as Easytest if required)

## Body

- IP44 as standard
- Supplied complete with driver in fixed output or DALI
- Spun aluminium body finished white
- Counter sunk polycarbonate diffuser
- Integrated driver for flexibility and rapid installation
- For ceiling thicknesses of 1mm - 30mm

# Order codes

## Order Codes

			B50			
XR1	Fixed Output	3hr Emergency	LL/CW	L70	L80	L90
1200 lumens (12W)	XRH14KXT	XRH14KXTEM	101	>100k	>100k	>100k
2000 lumens (22W)	XRH24KXT	XRH24KXTEM	91	87k	54k	24k

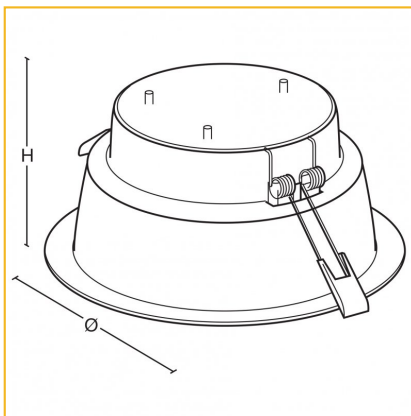
## Options

3000K	Replace 4K with 3K	i.e XRH13KXT
DALI	Replace H with Y	i.e XRY14KXT
COMEPS	Add suffix EP	i.e XRH14KXTEP

## LED Performance

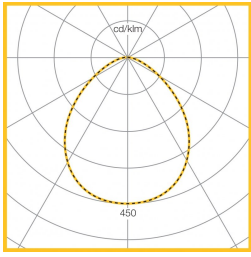
Colour Temp	RA (CRI)	Life expectancy	Colour consistency
4000K	>80	L80(50,000hrs)	MacAdam 3 SDCM
4000K	>80	L80(50,000hrs)	MacAdam 3 SDCM

## Dimensions

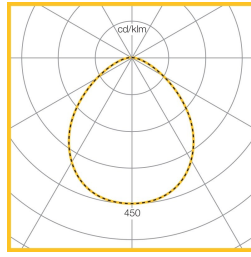


H	KG	KG(EM)	CAØ	Ø
85	0.35	1.35	165	192

## Photometric Performance

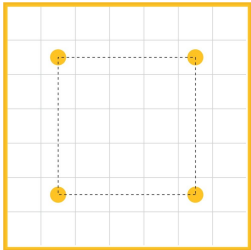


12W, LED,  
1100lumens  
LOR = 100%  
SHR MAX = 1.55



22W, LED,  
2000lumens  
LOR = 100%  
SHR MAX = 1.55

## Performance Guide



Lamps	22W LED
Illuminance	194 lux
Spacing	3.0m x 3.0m
Maintenance	0.8
Reflectance	70/50/20
Ceiling Height	2.7
Working plane	0.0m

## To Specify

Recessed LED IP44 downlight with spun aluminium body finished white and counter sunk polycarbonate diffuser. Supplied complete with remote driver, and suitable for ceiling thicknesses 1-30mm. Cut aperture 165mm  
– as Whitecroft Lighting XR1