

Tegan Slim Surface

LED surface square slim luminaire

Whitecroft
lighting

120+
LL/CW



IP 20
44

LED



Tegan Slim Surface Frame



Tegan Slim Surface

Overview

Suitable for a wide range of applications, Tegan Slim Surface is a robust, edge lit luminaire with a choice of optics that consumes very little energy to deliver uniform and controlled light. Maximum illuminance including in LG7 and EN12464-1 compliant schemes can be consistently and affordably achieved.

Optics

- Choice of an Opal diffuser for general, circulation and feature areas or a Quadraprism* optic for glare control in LG7 compliant schemes
- Available with 3000K and 4000K LED

Outputs:

Tegan Slim Quadraprism*

- 3321 lumens (24.8W) 134 ll/cw
- 4132 lumens (32W) 129 ll/cw

Tegan Slim Opal

- 2255 lumens (16.6W) 136 ll/cw
- 3541 lumens (24.8W) 143 ll/cw
- 5132 lumens (39.3W) 131 ll/cw

Tegan Slim Opal TP(a)

- 2115 lumens (16.6W) 127 ll/cw
- 3351 lumens (24.8W) 135 ll/cw

- 4805 lumens (39.3W) 122 ll/cw

*Quadraprism optic less than 3000 cd/m2 at 65° and above

- Emergency Output (BLF):
 - Quadraprism - 323 Lumens
 - Opal - 360 Lumens
 - TP(a) - 338 Lumens

Body

- Steel body finished white
- Slim body profile
- IP44 protection from front, IP20 from behind
- RAL Colour: White RAL9003
- Steel surface mounting frame (surface mount installation frame must be ordered with each luminaire)†
- Frame allows for side cable entry
- Easy to assemble on site
- Choice of emergency options; standard 3hr self contained or COMEPS
- Tegan Slim recessed and suspended also available
- Optional integral Organic Response® wireless sensor that communicates with its neighbouring luminaires, automatically controlling light across the area ††

† Not suitable for use with integral Organic Response® luminaires. Frames for integral Organic Response® luminaires available on request, please contact the Whitecroft Lighting Technical Desk for more information.

†† Every luminaire within an area that's to be controlled must have an integral Organic Response® detector. Wall switch and dongle are also available (supplied separately).

Order codes

Quadraprism

			B50			
Quadraprism (4000K)	Fixed Output	3hr Emergency	LL/CW	L70	L80	L90
3321 lumens (24.8W)*	TMELH24KXT	TMELH24KXTEM	134	>100k	97k	44k
4132 lumens (32W)*	TMELH34KXT	TMELH34KXTEM	129	>100k	91k	45k

Opal

			B50			
Opal (4000K)	Fixed Output	3hr Emergency	LL/CW	L70	L80	L90
2255 lumens (16.6W)*	TAEH14KXT	TAEH14KXTEM	136	>100k	97k	44k
3541 lumens (24.8W)*	TAEH24KXT	TAEH24KXTEM	143	>100k	97k	44k
5132 lumens (39.3W)*	TAEH34KXT	TAEH34KXTEM	131	>100k	68K	33K

Opal TP(a)

			B50			
Opal TP(a) (4000K)	Fixed Output	3hr Emergency	LL/CW	L70	L80	L90
2115 lumens (16.6W)*	TAELPH14KXT	TAELPH14KXTEM	127	>100k	97k	44k
3351 lumens (24.8W)*	TAELPH24KXT	TAELPH24KXTEM	135	>100k	97k	44k
4805 lumens (39.3W)*	TAELPH34KXT	TAELPH34KXTEM	122	>100k	68K	33k

Options

DALI DIMMING	Replace H with Y	i.e. TMELY24KXT
COMEPS	Add suffix /EP	i.e. TMELH24KXTEP
ORGANIC RESPONSE (SN3) **	Add RG3 before Y	i.e. TMELRG3Y24KXT

** Frames not suitable for use with integral Organic Response® luminaires. Frames for integral Organic Response® luminaires available on request, please contact the Whitecroft Lighting Technical Desk for more information.

For 3000K colour temperature, please contact Whitecroft.

Accessories

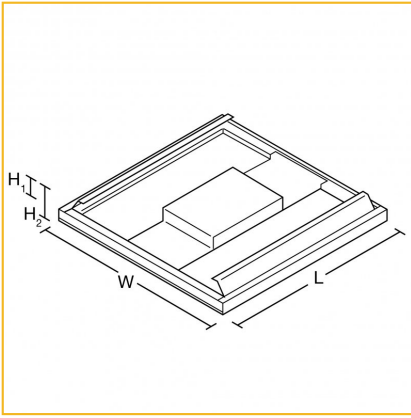
Surface mount installation frame *	TESSURFR
Organic Response® Wall Plate (Standard)	ORGWP
Organic Response® Wall Plate (Classroom)	ORGWPC
Organic Response® Dongle	ORGDNGLE

* Please note, a surface mount installation frame (TESSURFR) must be ordered with each luminaire.

LED Performance

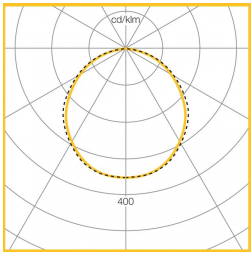
Colour Temp	RA (CRI)	Life expectancy	Colour consistency
4000K	>80	L80(50,000hrs)	MacAdam 3 SDCM

Dimensions

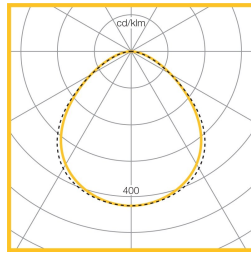


L	W	H1	H2	KG	KG(EM)
601	601	40	71	6.5	7.7

Photometric Performance

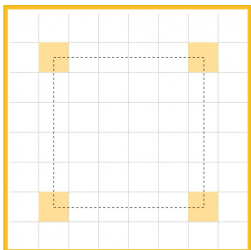


Opal 39.3W LED
5132 lumens
LOR = 100%
SHR MAX = 1.61

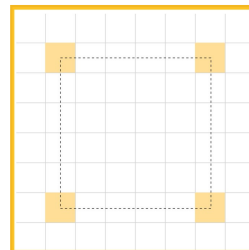


Quadraprism 32W
LED 4132 lumens
LOR = 100%
SHR MAX = 1.61

Performance Guide



Lamps	39.3W LED
Illuminance	518 lux
Spacing	3.0m x 3.0m
Maintenance	0.8
Reflectance	70/50/20
Ceiling Height	2.8m
Working plane	0.8m



Lamps	32W LED
Illuminance	425 lux
Spacing	3.0m x 3.0m
Maintenance	0.8
Reflectance	70/50/20
Ceiling Height	2.8m
Working plane	0.8m

To Specify

Surface mounted LED 600mm x 600mm panel luminaire with slim line steel body and an Opal diffuser for general, circulation and feature areas or a Quadraprism optic for LG7 compliant schemes. Suitable for surface mounting – as Whitecroft Lighting TEGAN SLIM SURFACE
