

Stylus

IP54 luminaire

Whitecroft
lighting

100+
LL/CW



IP54

LED



First / Second Fix
Installation



Comfort



Stylus



With COMMAND 6 Sensor

Optics

- Choose from Stylus Area, opal diffuser luminaire for general circulation areas, or Stylus Comfort, louvre optic luminaire for glare control areas, such as an office or classroom
- Stylus Comfort Lumen output options:
 - 1700 lumens (19W) – 600mm *
 - 3500 lumens (37W) – 1200mm
 - 5000 lumens (49W) – 1800mm
- Stylus Area Lumen output options:
 - 2000 lumens (21W) – 600mm *
 - 3900 lumens (37W) – 1200mm
 - 6000 lumens (57W) – 1800mm
- Emergency Output (BLF):
 - All variants - 300 Lumens
- Available with 3000K and 4000K LED

* 600mm body not available with integral emergency

Body

- First fix pressed steel body finished in white
- RAL Colour: White RAL9003.
- Second fix 'snap fit' light engine and diffuser
- IP54 construction once fully assembled
- Stylus Comfort has a glare reducing opal louvre optic with extruded polycarbonate clear diffuser and is suitable for office or education, in line with BS EN 12464-1, LG7 and LG5 guidance
- Stylus Area has an extruded polycarbonate opal diffuser and is suitable for general circulation areas
- Injection moulded end caps
- Optional Command 5 microwave detector mounted behind the diffuser available that can be set to one of two configurations;
 - Microwave presence detection with ON/OFF operation
 - Microwave presence detection with High/Low/Off set-back functionality. Can be set to switch from 100% down to setback position of 50%, 30%, 20%, 10% or OFF
- Command 6 sensor available mounted on the end of the luminaire

Order codes

Stylus Area

				B50		
Stylus Area	Fixed Output	3hr Emergency	LL/CW	L70	L80	L90
600mm, 2100 lumen (21W) *	STSH1	Not available	95	>100k	97k	44k
1200mm, 3900 lumen (37W)	STSH2	STSH2EM	106	>100k	97k	44k
1800mm, 6000 lumen (54W)	STSH3	STSH3EM	106	>100k	97k	44k

Stylus Comfort

				B50		
Stylus Comfort	Fixed Output	3hr Emergency	LL/CW	L70	L80	L90
600mm, 1700 lumen (19W) *	SUSH1	Not available	88	>100k	>100k	>93k
1200mm, 3500 lumen (37W)	SUSH2	SUSH2EM	94	>100k	>100k	>93k
1800mm, 5000 lumen (49W)	SUSH3	SUSH3EM	103	>100k	>100k	>93k

Accessories

Hook Kit	STSHOOKIT
----------	-----------

Options

COM 5 **	Add Q5 before H	i.e STSQ5H2
COM 6	Add Q6 before H	i.e STSQ6H2
COMEPS ***	Add suffix EP	i.e STSH2EP
COMMAND 5 WITH SET BACK	Replace H with Q5SR	i.e STSQ5SR2
DALI	Replace H with Y	i.e STSY2

* Not available with integral emergency

** Command 5 is not available in DALI

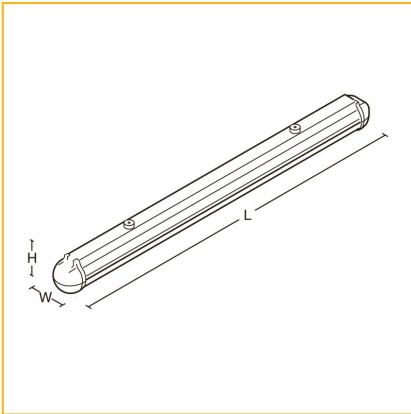
*** Can be wired as Easytest if required

For 3000K colour temperature, please contact Whitecroft

LED Performance

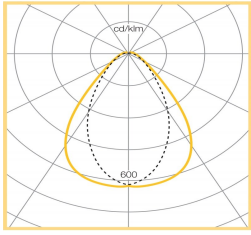
Colour Temp	RA (CRI)	Colour consistency
4000K	>80	MacAdam 3 SDCM

Dimensions

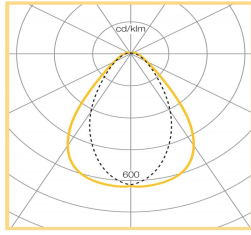


VERSION	L	W	H	KG	KG(EM)	FC
Area 600	660	100	100	1.8		400
Comfort 600	660	100	100	2.1		400
Area 1200	1250	100	110	3.5	4	604
Area 1800	1800	100	110	4.5	5	1000
Comfort 1200	1250	100	110	3.8	4.3	604
Comfort 1800	1800	100	110	4.5	5	1000

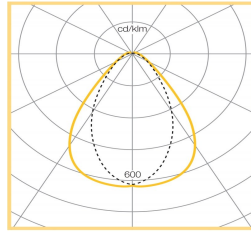
Photometric Performance



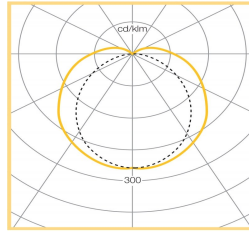
Stylus Comfort
600mm 19W LED
1700 Lumens
LOR = 100.0%
SHR MAX = 1.41



Stylus Comfort
1200mm 37W
LED 3500 Lumens
LOR = 100.0%
SHR MAX = 1.41

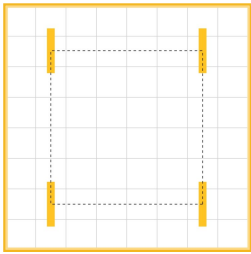


Stylus Comfort
1800mm 49W
LED 5000 Lumens
LOR = 100.0%
SHR MAX = 1.41



Stylus Area
1200mm 37W
LED 3900 Lumens
LOR = 100.0%
SHR MAX = 1.68

Performance Guide



Lamps	40W LED
Illuminance	302 lux
Spacing	3.0m x 3.0m
Maintenance	0.8
Reflectance	70/50/20
Ceiling Height	3.2m
Working plane	0.0m

To Specify

Stylus Comfort

Surface mounted, pressed steel bodied, IP54 luminaire with 'snap fit' second fix louvre diffuser and a clear polycarbonate diffuser for excellent glare control. With optional microwave or PIR integral sensor – as Whitecroft Lighting STYLUS COMFORT.

Stylus Area

Surface mounted, pressed steel bodied IP54 luminaire with 'snap fit' second fix extruded opal polycarbonate diffuser. With optional microwave or PIR integral sensor – as Whitecroft Lighting STYLUS AREA .

Application images

