

Starline Multi-Flex

A diverse range of LED tape for indoor applications

Whitecroft
lighting



Starline Multi-Flex LD



Starline Accessories

Optics

- Low to medium output LED flexible tape
- High or low LED density
- 690 to 2035 lumens per metre
- 5.2 to 15W per metre
- Reel lengths from 4.2m to 14m
- 2700, 3000 and 4000K white LEDs
- 3 McAdam SDCM
- Ra >82
- 50,000 hours life to L80B10

Body

- IP00 rated
- 8mm wide, 24V DC tape
- Dimmable white LEDs
- Suitable for ambient operating temperatures from -25°C to 50°C
- Can be cut to desired length at 70mm intervals
- Supplied with pre-soldered 2 core 2m cable at one end for connection to driver
- Optional quick-fit start of row connector with 2 core 0.5m cable for connection of cut tape to driver (supplied separately)
- Range of drivers to suit tape length and wattage
- Range of optional mounting and diffuser accessories
- Self-adhesive backing to aid quick installation
- Maximum length of row is length of tape reel
- Can be wired in parallel to extend length of row
- High density version:
 - LED spacing at 12mm pitch, 6 LEDs per 70mm
 - Suitable for direct view applications in combination with opal diffuser
- Low density version:
 - LED spacing at 23mm pitch, 3 LEDs per 70mm
 - Suitable for cove and accent lighting where not directly visible

Order codes

Starline Multi-Flex High Density HD

Starline Multi-Flex HD	Code	Lumens per reel	Watts per reel	LL/CW
5.1W/m, 690 lm/m, 2700K, 14m	SFHD127K	9660	72	134
8.6W/m, 1106 lm/m, 2700K, 7m	SFHD227K	7442	60	129
15.4W/m, 1906 lm/m 2700K, 4.2m	SFHD327K	8005	65	124
5.1W/m, 700 lm/m, 3000K, 14m	SFHD130K	9828	72	137
8.6W/m, 1124 lm/m, 3000K, 7m	SFHD230K	7868	60	131
15.4W/m, 1938 lm/m, 3000K, 4.2m	SFHD330K	8140	65	126
5.1W/m, 737 lm/m, 4000K, 14m	SFHD140K	10318	72	143
8.6W/m, 1180 lm/m, 4000K, 7m	SFHD240K	8260	60	138
15.4W/m, 2035 lm/m, 4000K, 4.2m	SFHD340K	8547	65	132

Starline Multi-Flex Low Density LD

Starline Multi-Flex LD	Code	Lumens per reel	Watts per reel	LL/CW
5.6W/m, 542 lm/m, 2700K, 14m	SFLD127K	7588	78	97
8.6W/m, 1084 lm/m, 2700K, 7m	SFLD227K	7588	60	126
15.4W/m, 1616 lm/m, 2700K, 4.2m	SFLD327K	6787	65	105
5.6W/m, 542 lm/m, 3000K, 14m	SFLD130K	7588	78	97
8.6W/m, 1106 lm/m, 3000K, 7m	SFLD230K	7742	60	129
15.4W/m, 1684 lm/m, 3000K, 4.2m	SFLD330K	7073	65	109
5.6W/m, 575 lm/m, 4000K, 14m	SFLD140K	8050	78	103
8.6W/m, 1160 lm/m, 4000K, 7m	SFLD240K	8120	60	135
15.4W/m, 1811 lm/m, 4000K, 4.2m	SFLD340K	7606	65	117

Accessories - Drivers

IP20 Driver	Code
Fixed output 20W	CNSLD20
Fixed output 75W	CNSLD75
Fixed output 180W	CNSLD180
Fixed output 250W	CNSLD250
Dali dimming 80W	CSFDY80
Dali dimming 150W	CSFDY150

Note: Driver CSFDY80 may require up to 4 DALI addresses

Accessories

Option	Order Code
START OF ROW CONNECTOR WITH 0.5m LONG 2 CORE LEAD FOR CONNECTION OF CUT TAPE TO DRIVER (SUPPLIED SEPARATELY)	SFCON1HDLD
2M LONG OPAL DIFFUSER	SFOPAL2M
2M LONG CLEAR DIFFUSER	SFCLEAR2M
2M LONG BASE PROFILE *	SFBASE2M
2M LONG MOUNTING PROFILE	SFMOUNT2M
SINGLE END CAP	SFENDCAP

* Base Profile requires Mounting Profile.

Maximum number of LED reels per driver

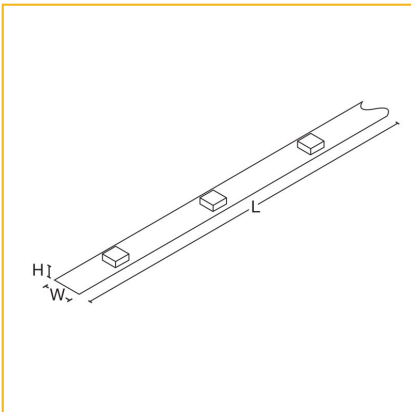
Driver type	Code	14m, 78W	7m, 60W	4.2m, 65W
Fixed output 20W	CNSLD20	1 (max 2m)	1 (max 2m)	1 (max 1m)
Fixed output 75W	CNSLD75	1 (max 11m)	1	1
Fixed output 180W	CNSLD180	2	2	2
Fixed output 250W	CNSLD250	2	3	3
Dali dimming 80W	CSFDY80	1 (max 12m)	1	1
Dali dimming 150W	CSFDY150	1	2	2

Note: Multiple reels should be wired in parallel, not in series

LED Performance

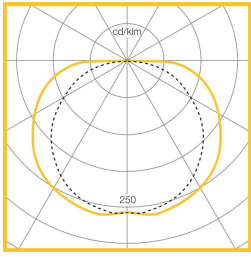
Colour Temp	RA (CRI)	Colour consistency
2700 – 4000K	> 82	MacAdam 3 SDCM

Dimensions



VERSION	L	W	H	KG
650 nominal lumens per m	14000	8	1.5	0.24
1100 nominal lumens per m	7000	8	1.5	0.12
1800 nominal lumens per m	4200	8	1.5	0.07

Photometric Performance



4000K LED, 2035
lumen, 15.5W
LOR = 100%

To Specify

Flexible linear LED tape with self-adhesive backing for quick installation. Suitable for cutting to desired length on site at 70mm intervals. 5W to 15W nominal per metre with 2700, 3000 or 4000K LEDs. A range of optional accessories to suit flexible LED tape – as Whitecroft Lighting STARLINE MULTI-FLEX
