

## Installation Instructions

### General Safety Instructions

- Read the instructions for installation and commissioning.
- Pass the instructions to the customer for safekeeping.
- Do not remove the type plate of the luminaire.
- Please note the national installation and accident prevention regulations during installation. The installation must be performed only by a trained electrical specialist.
- Damaged cables may only be changed by trained electrical personnel.
- For improper installation or any subsequent change to the luminaire no liability is accepted.
- The light source of this lamp may be replaced only by the manufacturer or an authorized service technician or a similarly qualified person.
- LED lamps (without IP67 protection) must not be cleaned.
- Clean the luminaire regularly with a smooth damp cloth. Only use solvent-free cleaning agents. Attention: previously cut off the mains supply and allow system to cool down.
- To protect the surface from dirt and fingerprints, we recommend the use of protective gloves during installation.
- The disposal of the system must be carried out on the disposal of electronic products in accordance with the EU Directive WEEE (Waste Electrical and Electronic Equipment).
- In order to answer technical queries, please contact our project management respectively our worldwide branches and distributors. Please send your request to [info@led-linear.com](mailto:info@led-linear.com).

### Mains voltage / connection

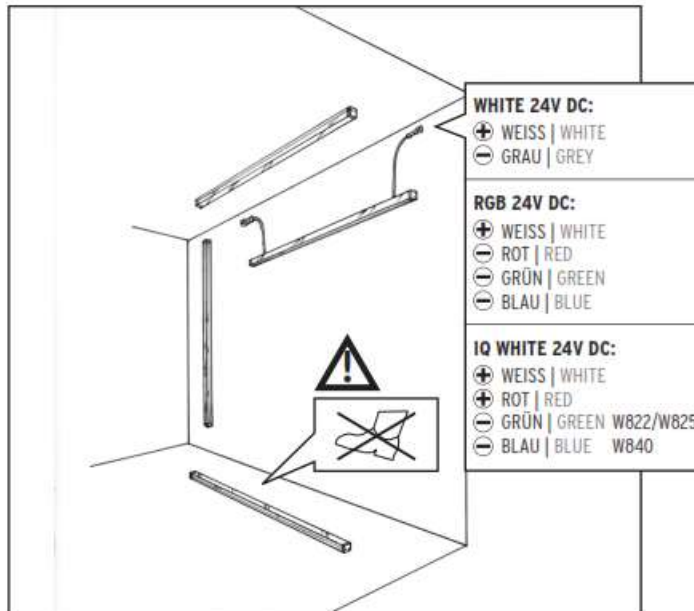
- Check that there is no voltage of the system prior to installation and maintenance. Beware of electric shock!
- Only use converters of the correct voltage.
- It is not allowed to use the luminaires with altered or damaged connector cables.
- In case of a three-phase installation do not interrupt the neutral conductor of the electronic ballasts.
- Electrically operated (Constant Current) LED modules must not be secondary side connected.
- Avoid overvoltage at the electronic control gear.
- The cable must not cover the light-emitting portion.
- Connecting and disconnecting the luminaire and the control gear under present voltage can cause damage to the components.
- Mismatched luminaires and control gears can damage each other.
- Wrongly polarized cables damage the luminaire.
- The installation of a Dali system may only be performed by trained personnel. Pay attention to any necessary mains voltage resistance of the Dali operating device.
- Only suitable dimmers must be used for dimming. Observe the manufacturer's instructions. Not suitable dimmers can damage the whole system.
- Terminals in accordance with EN 60998-2-1 or EN 60998-2-2 must be used for connecting the lamp to the power grid.


### Environment

- Pay attention to the allowable ambient conditions under which the luminaire may be operated.
- Install the luminaire in a place where it is not exposed to direct sunlight or heat sources.
- Ensure that the recessed version is not covered with insulating material.
- Do not cover luminaire and control gear to prevent overheating.
- Pay attention to the minimum distance between luminaire and lighted object.
- Be careful with allowable floor loads in case of ceiling mounting of the luminaire.
- Exterior lighting should be used only after sunset until sunrise.

## Dimensions

VERSION	L	W	H	KG
5.4W body	355	19.5	19.5	0.9
9.7W body	635	19.5	19.5	1.5
19.2W body	1265	19.5	19.5	3.0
28.8W body	1895	19.5	19.5	4.5

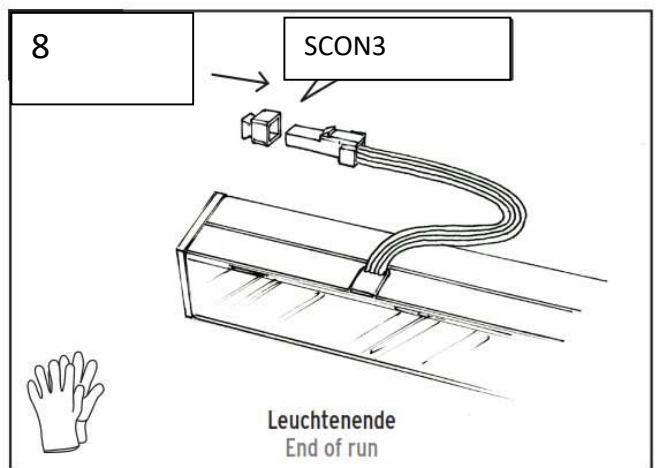
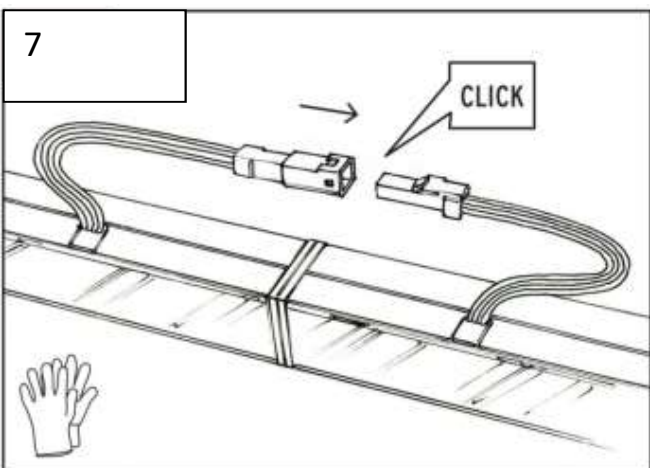
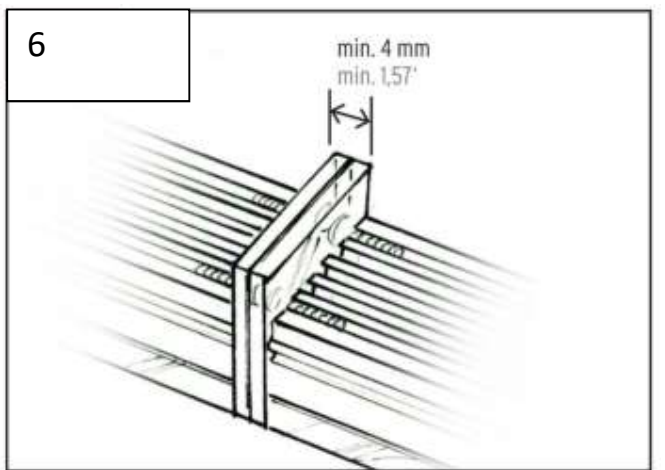
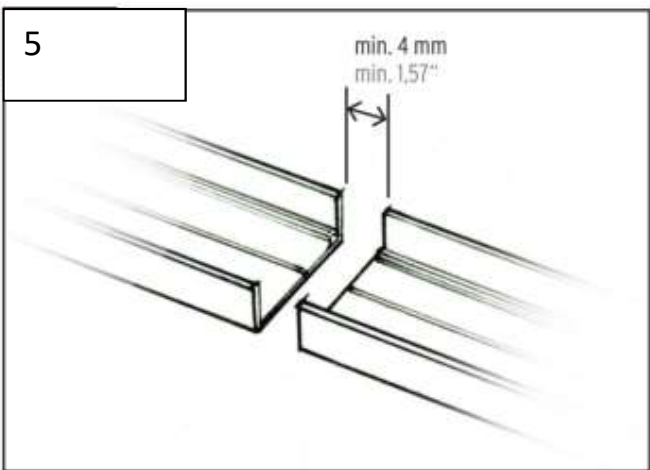
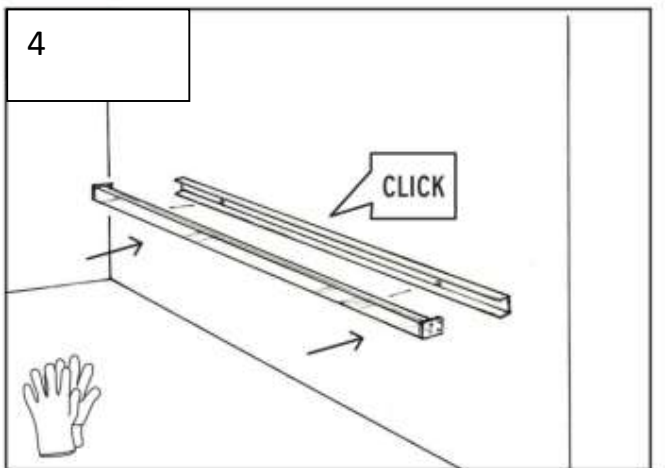
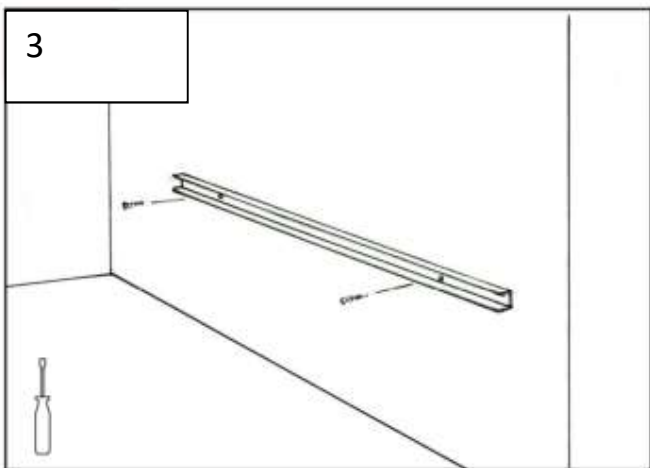
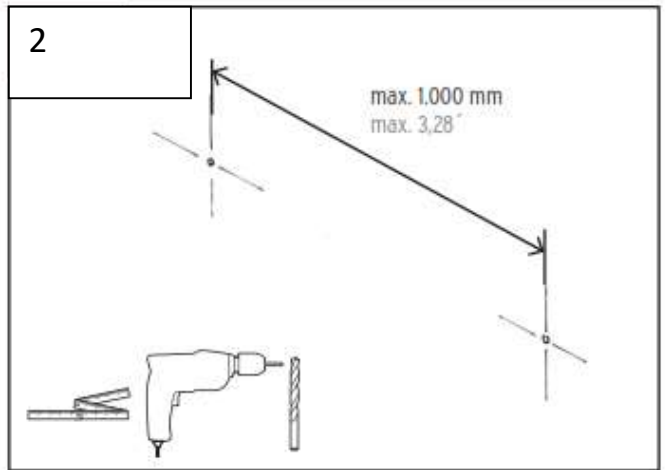
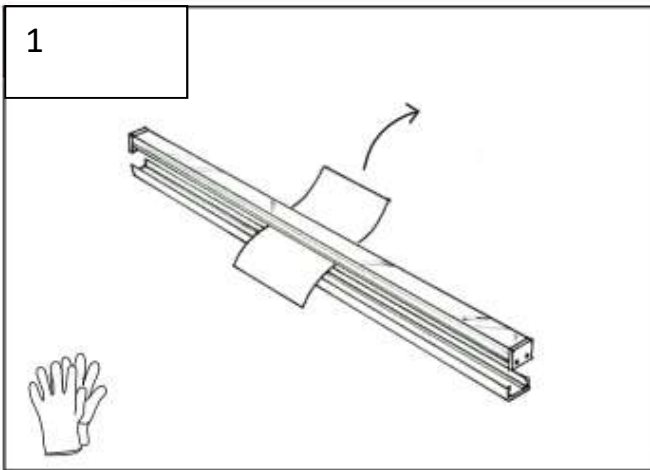


	Länge der Profile (mm) Length of profiles (feet)	Anzahl der Befestigungsbohrungen Number of drilling points
	380   1,2	2
630   2,0	2	
1255   4,12	3	
1880   6,17	4	

## Maximum number of luminaires per driver

Driver Type	Code	360mm long	640mm long	1270mm long	1900mm long
		5.5W	9.8W	19.3W	28.9W
Fixed output 20W	CNSLD20	3	2	1	
Fixed output 75W	CNSLD75	11	6	3	2
Fixed output 180W	CNSLD180	27	15	7	5
Dali dimming 80W	CSFDY80	11	6	3	2
Dali dimming 150W	CSFDY150	22	12	6	4

Note: Multiple rows of luminaires should be wired in parallel, not in series  
Maximum connected row length 4m

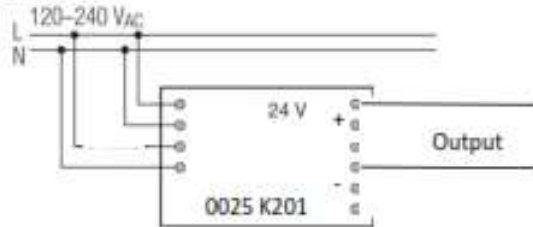


# Wiring Information

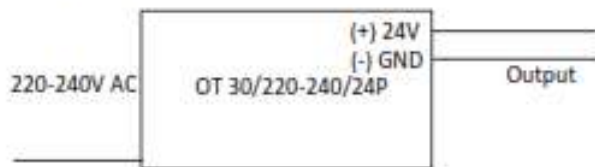
CNSLD20



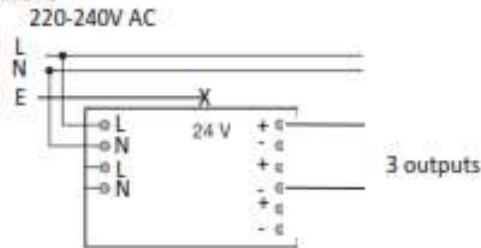
CNSLD 25



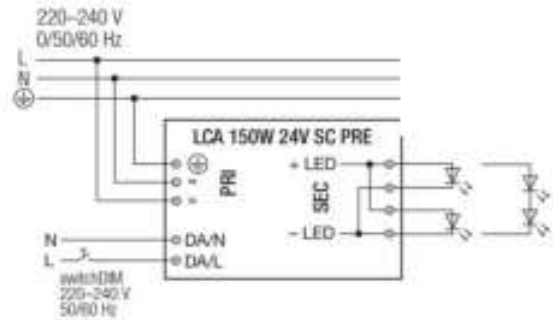
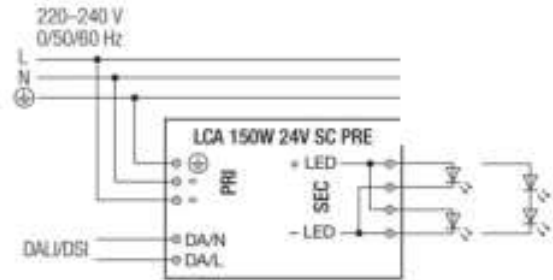
CNSLD120



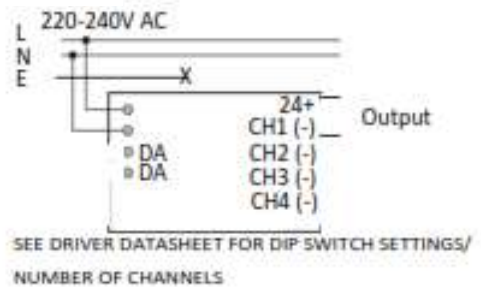
CNSLD75



CSFDY150



CSFDY80



**Whitecroft Lighting Ltd.**

Tel: +44 (0) 161 330 6811

Email: [email@whitecroftlight.com](mailto:email@whitecroftlight.com)

Website: [www.whitecroftlighting.com](http://www.whitecroftlighting.com)