

Spectre WR

Wall mounted cylindrical luminaire for outdoor applications

Whitecroft
lighting

IK08

IP65

LED



Optics

- Light output 2620 lumens (4000K - 27W)
- Downward distribution
- 4000K and 3000K LED options
- Bi-symmetrical 130° x 70° beam
- Zero light pollution
- 4mm thick, thermal shock resistant, tempered clear flat glass

Body

- Die cast aluminium
- Coated for corrosion and saline environment resistance
- For outdoor applications within 3km of the coast, an enhanced paint finish can be offered on request
- IP65 IK08 rated protection
- Requires wall mounting bracket (order separately)
- Finished in Graphite Grey with Silver/grey trim
- RAL Colour: Grey RAL7024. Silver/grey RAL9007.
- Fixed output driver as standard, DALI optional
- Suitable for ambient temperatures between -20°C to +40°C

Order codes

4000K LED	Code - Fixed Output	LL/CW	L70
LED 2620 lumen (27W)	SPRAH14K	97	60k

Accessories

Wall mounting bracket	SPRWMBRK
-----------------------	----------

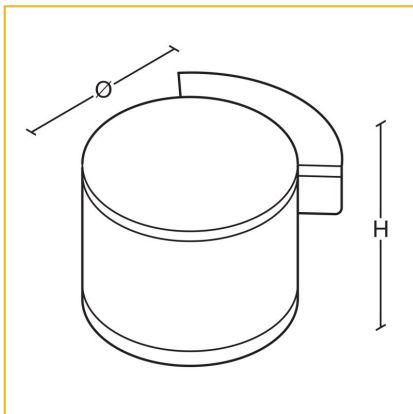
Options

DALI driver	Change 'H' to 'Y'	i.e. SPRAY14K
3000K LED	Change 4K to 3K	i.e. SPRAH13K

LED Performance

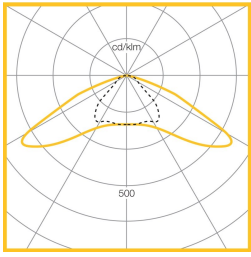
Colour Temp	RA (CRI)	Colour consistency
4000K	>80	MacAdam 4 SDCM

Dimensions



H	KG	Ø
225	4.5	256

Photometric Performance



4000K 27W 2620
Lumen
LOR = 100.0%

To Specify

IP65 Wall mounted cylindrical LED luminaire with die cast aluminium body. With downward distribution having zero upward light – as Whitecroft Lighting SPECTRE WR.
