

Sirocco Flood

Ultra slim floodlight for outdoor applications

Whitecroft
lighting

100+
LL/CW

IK08

IP66

LED



Heavy Duty Wall Bracket

Optics

- Light output options between 11542 to 23590 lumens (116 - 232W)
- Symmetrical and asymmetrical distribution options
- Zero light pollution
- Adjustable tilt angle
- 4mm thick, thermal shock resistant, tempered clear flat glass
- 4000K LED
- 3000K on request

Body

- Die cast aluminium with integrated fins for heat dissipation
- Powder coated for corrosion and saline environment resistance
- For outdoor applications within 3km of the coast, an enhanced paint finish can be offered on request
- IP66 IK08 rated protection
- Column spigot mounting or separate wall mounting bracket
- 60-63mm diameter post top or side entry
- Adjustable tilt at 0° to 10° intervals for post top mounting
- Adjustable tilt at 0° to 15° intervals for side entry mounting
- Finished in Anthracite dark grey
- Supplied with IP67 rated 3 pole plug and socket
- Mains isolated when top cover open
- Automatic temperature regulation
- Voltage surge protection
- Hexagon key top cover access
- Suitable for ambient temperatures between -30°C to +40°C
- Fixed output or DALI driver options
- Heavy duty adjustable wall mounting bracket available, maximum weight 13kg
- Wide range of columns and accessories available. See 'columns' pages for details.

Order codes

Sirocco Flood Asymmetric

		B50		
		LL/CW	L70	L80
LED 11542 lumens, 116W	SIFAH14K	100	80k	50k
LED 14840 lumens, 150W	SIFAH24K	99	80k	50k
LED 18139 lumens, 183W	SIFAH34K	99	80k	50k

Note: Luminaire codes SIFAY34K have 2 drivers and require 2 DALI addresses

Sirocco Flood Symmetric

		B50		
		LL/CW	L70	L80
LED 11795 lumen, 116W	SIFSH14K	102	80k	50k
LED 15165 lumen, 150W	SIFSH24K	101	80k	50k
LED 18536 lumen, 183W	SIFSH34K	101	80k	50k
LED 23590 lumen, 232W	SIFSH44K	102	80k	50k

Note: Luminaire codes SIFSY34K and SIFSY44K have 2 drivers and require 2 DALI addresses

Accessories

Wall mounting bracket	SIRBKT
-----------------------	--------

Options

DALI DIMMING*	Replace H with Y	i.e SIFAY14K
DUAL-POWER NIGHT-TIME REGULATING	Replace H with B	i.e SIFAB14K
FACTORY FITTED PHOTOCELL**	Add suffix /PC	i.e SIFAH14K/PC

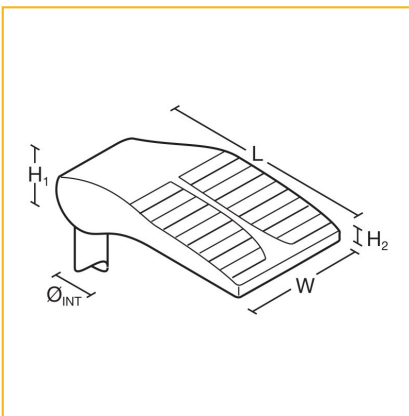
* Photocell option not available with Dali

** Luminaire is IP65 with fitted photocell

LED Performance

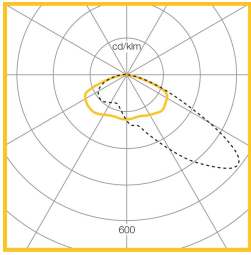
Colour Temp	RA (CRI)	Life expectancy	Colour consistency
4000K	>70	L70(80,000hrs)	MacAdam 3 SDCM

Dimensions

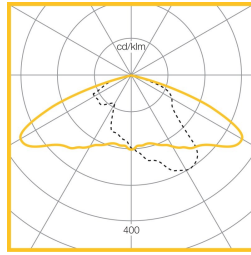


VERSION	L	W	H	H2	KG	Ø	Windage (m2)
116W	650	360	156	60	11.3	60	0.1
150W	650	360	156	60	11.4	60	0.1
183/232W	650	360	156	60	12.8	60	0.1

Photometric Performance



Asymmetric Wide
Beam 150W
14840 Lumen
LOR = 100.0%



Symmetric Wide
Beam 150W
15165 Lumen
LOR = 100.0%

To Specify

IP66 LED floodlight with ultra slim die cast aluminium body and integrated cooling fins. With asymmetric distribution having zero upward light when mounted horizontally. Electronic control gear with voltage surge protection and double insulated safety switch – as Whitecroft Lighting SIROCCO FLOOD.
