

Sirocco Central

High output post top lantern for outdoor applications

Whitecroft
lighting

IK08

IP66

LED



Optics

- Outputs between 11000 – 22000 lumens (132 – 264W)
- 4000K, Ra80 LED
- Wide symmetric distribution
- Typical mounting height 6-12m
- Zero upward light
- 80,000 hours to 70% light output L70B20

Body

- IP66, IK08 rated protection
- Die cast aluminium housing
- Primed and powder coated for resistance to saline and corrosive environments
- For outdoor applications within 3km of the coast, an enhanced paint finish can be offered on request
- Graphite grey RAL 7024 or silver/grey RAL 9007 finish
- Post top mounting suitable for 60mm diameter column spigots
- Supplied with IP67 rated connector
- Fixed output LED driver
- Electrical Class II double insulated
- Suitable for ambient temperatures between -30 to 40°C

Order codes

Graphite Grey

Graphite Grey	Fixed Output	LL/CW	L70
11704 lumen, 132W	SCH14KG	87	80k
16612 lumen, 198W	SCH24KG	84	80k
22149 lumen, 264W	SCH34KG	84	80k

Options

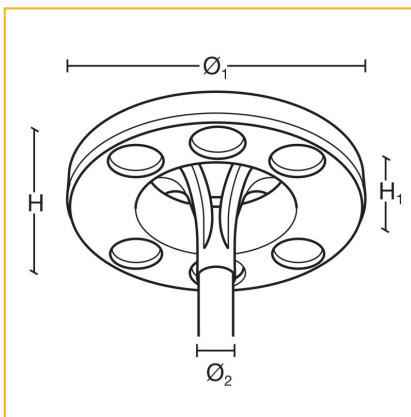
DALI DIMMING	ONREQUEST	i.e SCH14KG
SILVER/GREY	Replace G with S	i.e SCH14KS

* A wide range of columns and attachments is available. See separate data sheets for details.

LED Performance

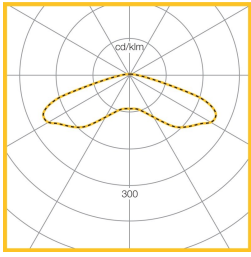
Colour Temp	RA (CRI)	Colour consistency
4000K	>80	MacAdam 3 SDCM

Dimensions



H	H1	KG	Ø	Ø2	Windage (m2)
270	120	14	680	60	0.08

Photometric Performance



264W 22149
Lumen 4000K
LOR = 100.0%

To Specify

High output IP66 LED post top luminaire for outdoor lighting applications. With die cast aluminium housing and 3 light output options. Fixed output LED driver and IP67 connector for ease of installation – as Whitecroft SIROCCO CENTRAL.
