

Selise Maxi

Surface mounted circular floodlight for outdoor applications

Whitecroft
lighting

IK08

IP66

LED



Optics

- Light output options between 9732 - 36009 lumens
- Asymmetric distribution
- 50° peak beam
- 90% light output after 100,000 hours (L90B10)
- 4000K and 3000K LED options

Body

- IP66, IK08 rated protection
- Die cast aluminium body with integrated cooling fins
- 4mm thick tempered glass visor resistant to thermal shock and impact
- Adjustable wall mounting bracket included
- Finished in graphite grey or silver/grey suitable for saline and corrosive environments
- For outdoor applications within 3km of the coast, an enhanced paint finish can be offered on request
- RAL Colour: Grey RAL7024. Silver/grey RAL9007.
- Fixed output driver as standard, DALI optional
- 419W gear in remote box on rear of body
- Ambient operating temperature range -20°C to +40°C (+30°C for 419W version)
- Supplied with IP rated connector
- Electrical Class II
- Dedicated Swimming Pool version available with additional protective treatment and enhanced support bracket, galvanised and 3 layers of powder coating *

Order codes

Selise Maxi - graphite grey

		B50		
4000K	Code - Fixed Output	LL/CW	L80	L90
9732 lumen LED (101W)	SEMH04KG	96	>100k	>100k
12976 lumen LED (135W)	SEMH14KG	96	>100k	>100k
19465 lumen LED (202W)	SEMH24KG	96	>100k	>100k
25954 lumen LED (270W)	SEMH34KG	96	>100k	>100k
36009 lumen LED (419W)	SEMH44KG	86	>100k	>100k

Note: Luminaire codes SEMY24KG, SEMY34KG and SEMY44KG have 2 drivers and require 2 DALI addresses

Options

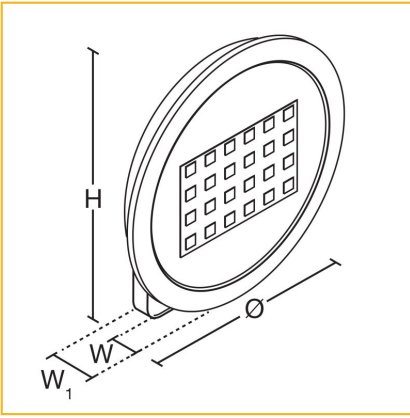
DALI	Replace H with Y	i.e SEMY04KG
SILVER/GREY	Replace G with S	i.e SEMH04KS
SWIMMING POOL VERSION*	Add suffix /SP	i.e SEMH04KG/SP
3000K	Change 4K to 3K	i.e. SEMH03KG

* Not suitable for 36,000 lumen version

LED Performance

Colour Temp	RA (CRI)	Colour consistency
4000K	>70	MacAdam 3 SDCM

Dimensions



VERSION	W	W1	H	KG	Ø	Windage (m2)
101/133/202W	100	160	477	13.8	462	0.12
270W	100	160	524	14	512	0.15
419W	184	184	524	17.2	512	0.16

Photometric Performance



25954 Lumens,
266W Asymmetric
LOR = 100.0%

To Specify

IP66 LED surface mounted floodlight with die cast aluminium body, glass visor and asymmetric distribution. Electronic control gear to operate 4000K light engines producing between 9732 - 36009 lumens. Adjustable wall mounting bracket included - as Whitecroft Lighting SELISE MAXI