



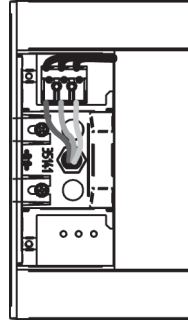
Selene

IP20 & IP44

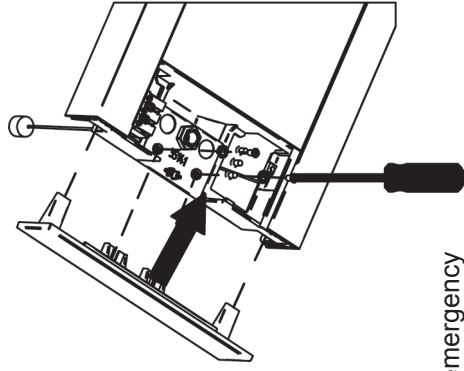


STANDALONE AND CONTINUOUS LED LUMINAIRE

Installation Instructions

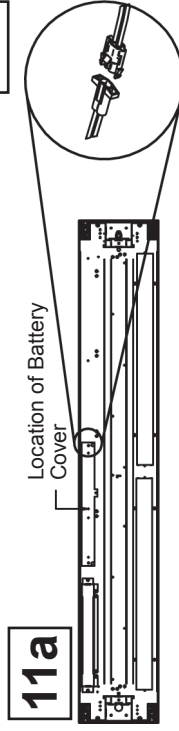


9) Terminal block wiring: wire into the terminal blocks shown opposite. **NOTE! depending on the model the terminal blocks may differ. For continuous set ups refer to through wire schematic.** For continuous run between luminaires, use the continuous kit provided to link terminal blocks. Infills will have the link cable installed already.

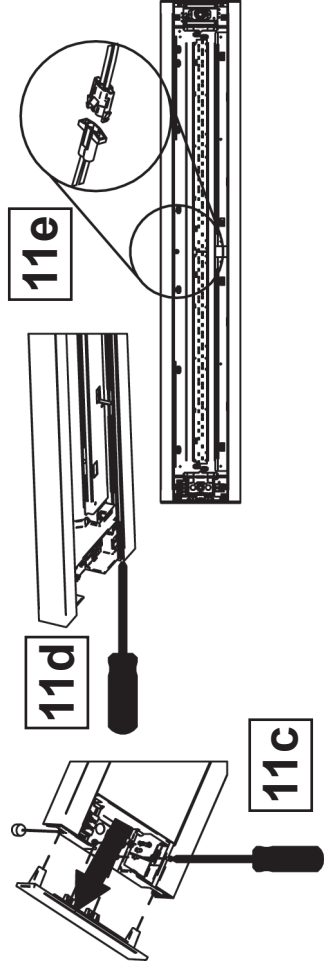


10) For continuous set ups, remove terminal block covers and attach caps onto the ends of each run. Slide into place until end cap sits flush against body with no gaps showing. Lock into place using screws and earth making washers provided. Both screw head and washer must clamp against surface of end cap.

11) On suspended emergency variants, remove emergency battery cover on back of gear tray (11a). Connect battery terminals together as shown (11b), then reattach battery cover ensuring that the cables are tucked alongside the extrusion and away from the diffuser.



For Surface variants, access to battery connection is through the front of the luminaire. To connect the battery cables, remove end cap (11c) and carefully remove foam gasket from both sides of extrusion frame (11d) using a small head screwdriver. Slide the diffuser out until batteries are visible and connect the battery wires (11e). Reverse the process to re-assemble luminaire ensuring that the diffuser gaskets are correctly inserted to prevent the diffuser sliding.



PK/SN/INSTLEAFLET

March 2018 - Rev 8

Whitecroft Lighting Limited
Burlington Street, Ashton-under-Lyne, Lancashire OL7 0AX (UK)
Telephone: +44 (0)161 330 6811 Facsimile: +44 (0)161 331 5855
email@whitecroflight.com www.whitecroflighting.com
Registered No. 3848973 England Registered Office: As above



GENERAL INFORMATION

- 1) A qualified electrician, in accordance with IEE wiring regulations, should carry out connection to mains wiring.
- 2) Observe ESD precautions during installation.
- 3) Emergency versions must be EARTHED.
- 4) Ensure that the rated voltage and frequency requirements are compatible with the available mains supply.
- 5) Cleaning of the reflector and lenses should be carried out using clean, soft and lint free cloths and anti-static cleaning fluid.
- 6) Do not carry out high voltage insulation tests, i.e. 500/1000v as this may damage the internal components.

WARNING: NOT SUITABLE FOR ENVIRONMENTS WHERE PRODUCT CAN BE HIT WITH A SPORTS BALL OR SIMILAR

SPECIFICATION

The Selene luminaire specification is below:

Models available:	Standalone suspended / Standalone surface / Continuous (inc. EM, Dali, Fixed output) Lengths include 1200mm, 1500mm & 1800mm
Lighting Distribution:	66% down / 33% up for suspended variants. 100% down for surface mounted.
Finish:	White (Ral 9003) / Silver (Ral 9006)
Colour Temperature:	4000K
Materials:	Sheet metal / Aluminium / Plastic diffusers
Supply:	220 - 240V / 50/60Hz
Operating Temp:	0°C to 25°C
Connection:	Terminal Block 0.75mm ² to 2.5mm ²
Ingress Protection:	IP20 both front and rear / IP44 Version available

TECHNICAL SUPPORT

Tel: **0161 331 5700**
E-mail: technical@whitecroflight.com
www.whitecroflighting.com

6) *If installing a standalone Selene skip to step 7*.

Slide products together so that they align using the pins and so the ends rest together. Slot the ramp components into the square cut out in the top apertures (6a). Screw through ramp and into hole in end brackets using the fixings provided. Tighten until luminaires are pulled tightly together with no gap. Repeat for all luminaires and infills in set up.

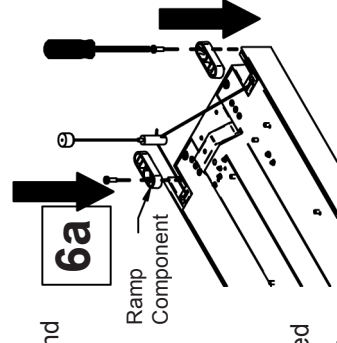
For IP44 Selene; carefully flex corners of silicone cover and insert the ramp components as above, there is no need to remove the retaining pins which hold the cover in place. When product is joined push the silicone back into place so that it sits flat. **NOTE! To ensure an IP rating of 44 ensure no gaps between end of luminaires and infills.**

7) For surface luminaires, drill hole in aluminium end bracket using the pilot provided (7a). Repeat for both ends. Remove the front cover panels by carefully pulling at the edge until it clips off (7b) and fit to surface (7c). **NOTE! Drill hole must suit fixing screw and washer provided by others.**

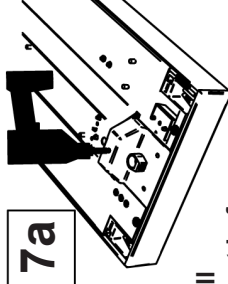
For IP44 Selene; using the identification mark carefully drill through silicone cover and into pilot hole in Aluminium bracket as stated above.

NOTE! Ensure surface is flat to achieve an IP44 seal.

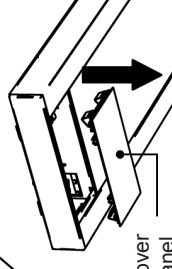
For surface luminaires you may wish to install the mains cable first before attaching to surface, see step 8.



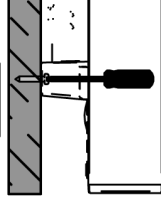
7a



7b

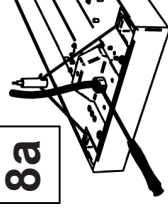


7c

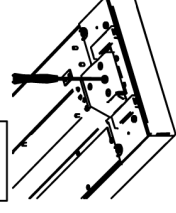


8) Feed cable into cable gland in luminaire, see image (8a). Lock mains into place by tightening grub screw onto outer sleeve of cable. **NOTE! Only clamp onto outer sleeve.** Inside the luminaire the outer sleeve can be stripped back to make it easier to manage individual cables. Individual cables can be **85mm** in length. **NOTE! Ensure mains cable does NOT prevent cover panel clipping on.** Reattach cover panels. **For IP44 Selene;** carefully pierce silicone seal and push mains cable straight through cover and cable clamp underneath (max 6 cores).

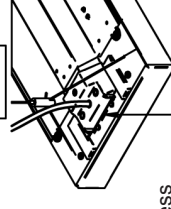
8a



8b



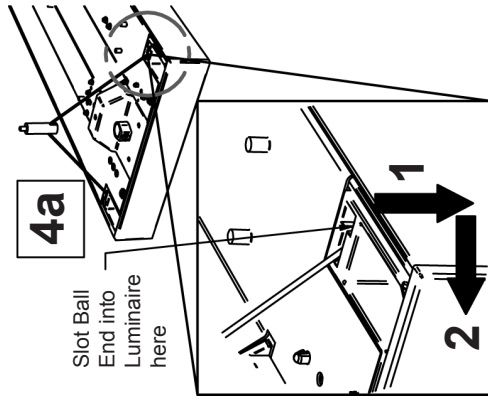
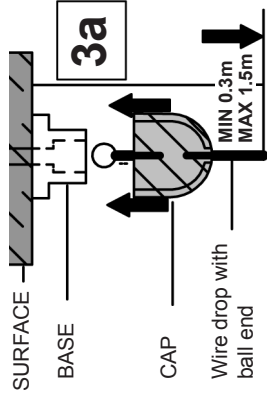
8c



WARNING! ENSURE GRUB SCREW LOCKS ONTO OUTER SLEEVE OF CABLE. LIFT SILICONE FLAP TO ACCESS CABLE CLAMP.

Lift Flap to access Grub Screw under Silicone Cover

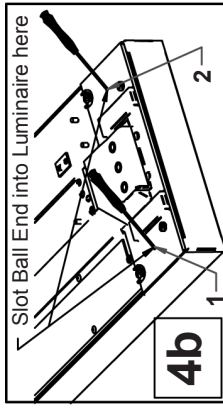
3) Drill surface for the suspension ceiling attachment as marked out in Step 2 as per manufacturer's specification. Attach the suspension base using fixing provided by others and feed the drop wire through the ceiling cap before screwing onto the base part. **NOTE! Max cable drop is 1.5m.**



4) Next, attach the Bridge wire and clutch into the luminaires by inserting the Ball ends into the slot location, see image (4a). Repeat at both ends of luminaire(s) and infill(s), there will be 4 attachments in total. The Bridge wire will be centred in the clutch so there is no need to adjust the grub screw.

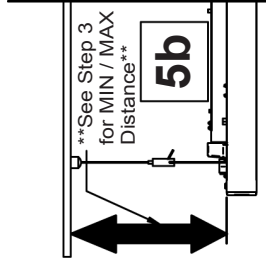
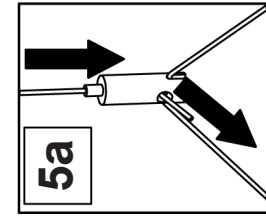
NOTE! For continuous set ups do NOT attempt to link the luminaires at this stage! Luminaires and infills MUST be raised individually to the correct height.

For IP44 Selene; first carefully pierce the silicone end covers in the 2 locations shown in image (4b). Use a suitable device so that only the membrane is pierced up to 1mm diameter. Only a small incision is needed as the silicone will stretch. Carefully peel up the corners of the silicone cover and push through the ball ends of the bridge wire. Hook into luminaire as stated above.



5) Lift the luminaire / infill and feed the cable drop into clutch as shown in image (5a). Pull the suspension cable through the clutch working both sides until the desired height is reached see (5b). **WARNING: DO NOT LIFT WEIGHT OF LUMINAIRE BY PULLING CABLE THROUGH THE CLUTCH, ALWAYS SUPPORT THE WEIGHT OF THE LUMINAIRE!**

Ensure luminaire sits level. A laser or similar can be used to level luminaire. Only trim excess cable when happy with set up and no further adjustment is needed.



PRODUCT DIMENSIONS (All dimensions in mm unless otherwise stated)

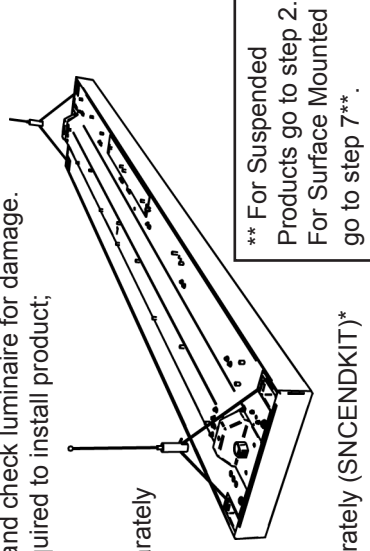
SELENE LUMINAIRE (Standalone)				Suspension Centres		Surface Fixing Centres	Suspension Kit Required?
MODEL	HEIGHT	WIDTH	LENGTH	WEIGHT	A	C	
1200mm	65	210	1330	7kg	1242	1206	YES
1500mm			1610	7.25kg	1523	1487	
1800mm			1890	7.5kg	1802	1767	

SELENE LUMINAIRES AND INFILL (CONTINUOUS)						Suspension Centres		Suspension Kit Required?
FITTING	MODEL	HEIGHT	WIDTH	LENGTH	WEIGHT	B		
Luminaire	1200	65	210	1320	7kg	1241		YES
	1500			1601	7.25kg	1522		
	1800			1881	7.5kg	1802		
Infill	300	65	210	300	1.5kg	220		NO
	600			600	2.5kg	521		
	900			900	3.5kg	820		
	1200			1320	4.5kg	1241		
	1500			1601	5.5kg	1522		
	1800			1881	6.5kg	1802		YES

1a) Remove product from packaging and check luminaire for damage.
1b) The following components are required to install product;

STANDALONE

- 1 x Selene luminaire
- 1 x Y suspension kit *Ordered separately (SNSUSKIT)*

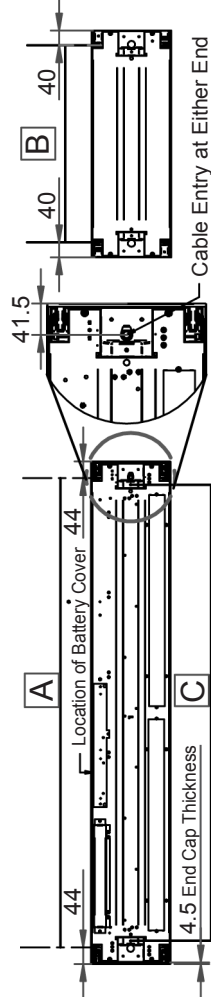


CONTINUOUS

- Selene luminaires
- Y suspension kits (1 per luminaire)
- Infill(s) (optional)
- 1 x pair of end caps * Ordered separately (SNCENDKIT)*

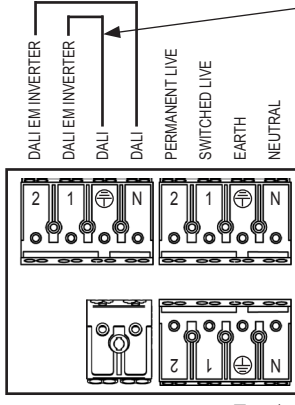
**** For Suspended Products go to step 2. For Surface Mounted go to step 7**.**

2) Mark out the suspension centres on surface as shown below. Refer to dimension table for drill hole centres. **NOTE! Remove end cap thickness (4.5mm) when spacing fixing points for a continuous run.** Ensure fixings and surface (supplied by others) are suitable to support weight of the luminaire(s) and infills.



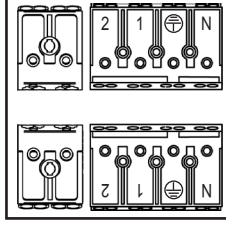
DALI CONFIGURATION

DALI EMERGENCY LUMINAIRE

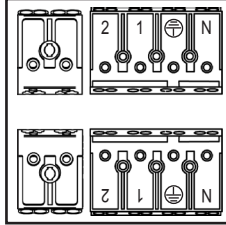


See Separate
Comeps Leaflet
for Advice on
Whether This
Link is Required

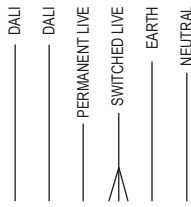
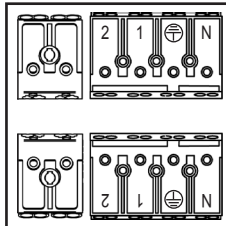
STD or EMERGENCY LUMINAIRE



STD or EMERGENCY LUMINAIRE

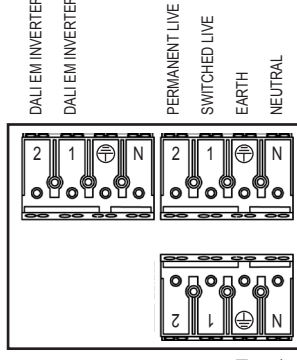


STD or EMERGENCY LUMINAIRE

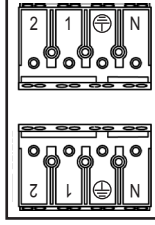


HF CONFIGURATION

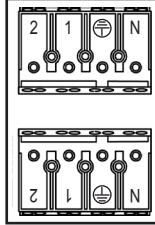
DALI EMERGENCY LUMINAIRE



STD or EMERGENCY LUMINAIRE



STD or EMERGENCY LUMINAIRE



STD or EMERGENCY LUMINAIRE

