

LED Line Surface

IP66 surface mounted linear luminaire for feature lighting

Whitecroft
lighting

100+
LL/CW

IP66

LED

✓
ECA



Mounting Bracket

Optics

- Light output options:
 - 640mm long, 3148 lumens, 30W
 - 1240mm long, 6297 lumens, 60W
 - 1540mm long, 8096 lumens, 77W
- 4000K LED
- 3000K on request
- Ra80 colour rendition
- Elliptical distribution for even wall-washing

Body

- IP66, IK08 protection rated
- Extruded aluminium body with die cast end caps
- Polyester powder coated finished grey RAL 9007 suitable for saline and corrosive environments
- For outdoor applications within 3km of the coast, an enhanced paint finish can be offered on request
- Tempered glass diffuser
- Surface mounting
- Requires mounting brackets
- Brackets adjustable up/down through 90 degrees
- Fixed output driver as standard, DALI on request
- Suitable for ambient temperatures between -30 to +40°C

Order codes

LED Line Surface

| LED Line Surface | Fixed Output | LL/CW | L70 |
|--------------------|--------------|---|-----|
| 640mm, 3148 lumen | LLSH14K | 105 | 60k |
| 1240mm, 6297 lumen | LLSH24K | 105 | 60k |
| 1540mm, 8096 lumen | LLSH34K |  105 | 60k |

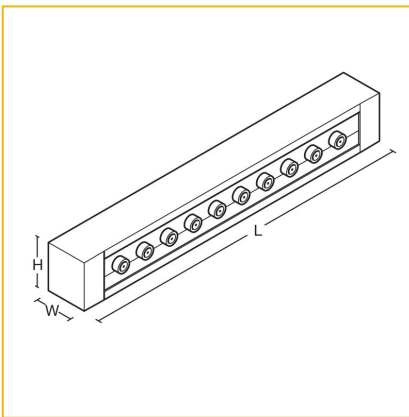
Accessories

| | |
|------------------------------------|--------|
| ESSENTIAL MOUNTING BRACKETS (PAIR) | LLSBKT |
| IP67 TEE CONNECTOR | MRCT |
| IP67 IN LINE CONNECTOR | MRCL |

LED Performance

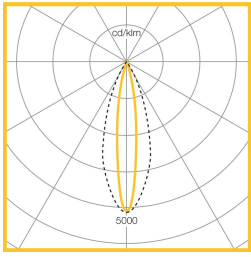
| Colour Temp | RA (CRI) | Colour consistency |
|-------------|----------|--------------------|
| 4000K | >80 | MacAdam 3 SDCM |

Dimensions



| VERSION | L | W | H | KG |
|------------|------|----|----|-----|
| 3148 lumen | 620 | 70 | 90 | 3 |
| 6297 lumen | 1240 | 70 | 90 | 5.6 |
| 8096 lumen | 1540 | 70 | 90 | 6.6 |

Photometric Performance



60W 4000k 6297
Lumens
LOR = 100.0%

To Specify

Surface mounted IP66 linear LED luminaire with aluminium housing and elliptical beam distribution. Finished in polyester powder coated grey – as Whitecroft LED LINE SURFACE
