

Helm

Linear recessed asymmetric or symmetric LED luminaire

Whitecroft
lighting

100+
LL/CW



IP $\frac{20}{40}$

LED



Symmetric

Optics

- Available with two optics;
 - Asymmetric: angled micropolymer TP(a) diffuser for asymmetric light distribution
 - Symmetric: flat micropolymer TP(a) diffuser for symmetric and open area light distribution
- Output options:
 - 600mm* - 1600 lumens (16W)
 - 1200mm* - 3000 lumens (30W)
- 4000K colour temperature
- Emergency Output (BLF):
 - All variants - 270 Lumens

* Lengths are nominal. Please refer to dimensions section for exact dimensions.

Body

- IP40 From below (IP20 from behind ceiling)
- Extruded aluminium body finished white
- RAL Colour: White RAL9003.
- Optional integral emergency available; 3hr maintained or COMECS (can be wired as Easytest)
- For recessing into Exposed T or plasterboard ceilings (plasterboard installation kit to be ordered separately)

Order codes

Asymmetric

				B50		
Asymmetric	Fixed Output	3hr Emergency	LL/CW	L70	L80	L90
600mm, 1600 lumens (16W)	HEAH14K	HEAH14KEM	98	>100k	>100k	50k
1200mm, 3000 lumens (30W)	HEAH24K	HEAH24KEM	100	>100k	>100k	50k

Symmetric

				B50		
Symmetric	Fixed Output	3hr Emergency	LL/CW	L70	L80	L90
600mm, 1600 lumens (16W)	HEH14K	HEH14KEM	100	>100k	>100k	50k
1200mm, 3000 lumens (30W)	HEH24K	HEH24KEM	101	>100k	>100k	50k

Accessories

Asymmetric plasterboard installation bracket kit	HEABKTKIT
Symmetric plasterboard installation bracket kit	HEBKTKIT

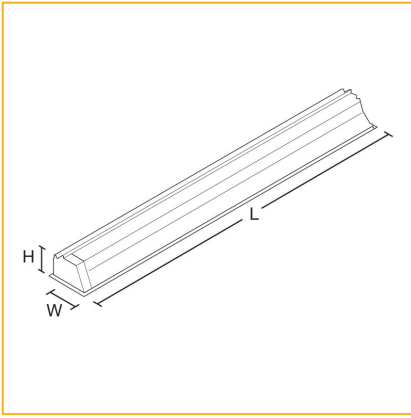
Options

COMEPS*	Add suffix EP	i.e HEAH14KEP
DALI	Replace H with Y	i.e HEAY14K

LED Performance

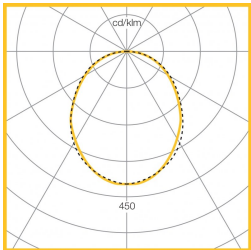
Colour Temp	RA (CRI)	Colour consistency
4000K	>80	MacAdam 3 SDCM

Dimensions

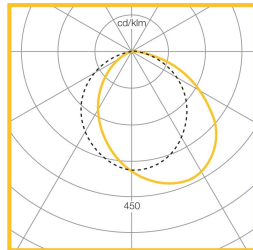


VERSION	L	W	H	KG	KG(EM)	Prepared Aperture
Asymmetric, 1600lm	595	146	87	1.8	2.8	130x578
Symmetric, 1600lm	595	117	103	1.6	2.6	96x578
Asymmetric, 3000lm	1196	146	87	3.4	4.4	130x1179
Symmetric, 3000lm	1196	117	103	2.9	3.9	96x1179

Photometric Performance

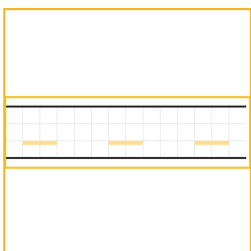


Symmetric 30W
LED 3000 Lumens
LOR = 100.0%
SHR MAX = 1.48



Asymmetric 30W
LED 3000 Lumens
LOR = 100.0%
SHR MAX = 1.60

Performance Guide



Lamps	30W LED
Illuminance	200 Lux
Spacing	3.0m x 0.0m
Maintenance	0.8
Reflectance	70/50/20
Ceiling Height	2.7m
Working plane	0.0m

To Specify

Helm Asymmetric

Recessed LED linear IP40 luminaire, with polycarbonate TP(a) rated micropolymer angled diffuser for asymmetric light distribution. Extruded aluminium finished white, designed to fit both modular T-bar or plasterboard ceilings – as Whitecroft Lighting HELM ASYMMETRIC

Helm Symmetric

Recessed LED linear IP40 luminaire, with easy to clean polycarbonate TP(a) rated micropolymer diffuser for open area light distribution. Extruded aluminium body finished white, designed to fit both modular T-bar or plasterboard ceilings – as Whitecroft Lighting HELM SYMMETRIC
