

# Foil Single Optic

Acoustic suspended lighting system

Whitecroft  
lighting



Infill Panel

## Overview

Foil has been developed to optimised building energy performance and deliver visual integration for a pure aesthetic. Service integration reduces the build programme and ensures a clutter free working or learning environment.

## Optics

- Light source options:
  - LED 3000 to 5700 lumens (36W to 67W)
  - Precise pattern Hexaprism optic for all-round glare control and maximum efficiency
- Emergency Output (BLF):
  - All variants - not available (use Florin E3)
- Light distribution: 70% down and 30% up with Hexaprism optic.
- Up-light designed to give an asymmetric throw to aid vertical illuminance

## Body

- 500mm or 700mm wide, 2.2m length steel body painted silver or white
- Chamfered 30° luminaire body edge for a slim line appearance
- Infill panels in 400mm, 800mm and 1200mm lengths
- Perforated side panels of luminaire and infill panels contain either 46mm or 30mm acoustic material
- Twin adjustable wire suspension kits 1.5m maximum drop
- RAL Colour: Silver RAL9006. White RAL9010
- 2 segregated cable conduits, excluding power in conduit
- Subject to project size and upon request, luminaire infill panels can be modified to incorporate items such as speakers, smoke detectors, fire alarms, and sprinkler heads
- Fixed output and DALI dimming drivers available
- Integrated Florin E3 Emergency option
- The integrated Florin E3 LED head optimises emergency performance and vastly reduces the parasitic energy load. Can be specified in either standard 3 hour non-maintained emergency, Easy Test, COMEPS or Central Battery

## Order codes

### Hexaprism LED 700mm Wide 30mm Acoustic Silver

				B50		
	HF Gear	3hr Emergency	LL/CW	L70	L80	L90
LED 3000 lumen 36W	FSAH73014KS	FSAH73014KSF3	83	>100k	>100k	65k
LED 4800 lumen 54W	FSAH73024KS	FSAH73024KSF3	89	>100k	>100k	46k
LED 3500 lumen 41W	FSAH73034KS	FSAH73034KSF3	85	>100k	>100k	46k
LED 5700 lumen 67W	FSAH73044KS	FSAH73044KSF3	85	>100k	>100k	46k

## Accessories

End Cap 30mm Acoustic 500mm wide silver	FSL530ECS
End Cap 30mm Acoustic 700mm wide silver	FSL730ECS
Infill - 30mm deep, 1200mm long, 700mm wide silver	FSL730INF1200S
Infill - 30mm deep, 400mm long, 700mm wide silver	FSL730INF400S
Infill - 30mm deep, 800mm long, 700mm wide silver	FSL730INF800S
Suspension Kit *	FSLSUSKIT

\* Suspension kit required for each size of luminaire and for 1200mm infills. Suspension kit only required for 400mm and 800mm infills when used at the start or end of a continuous run.

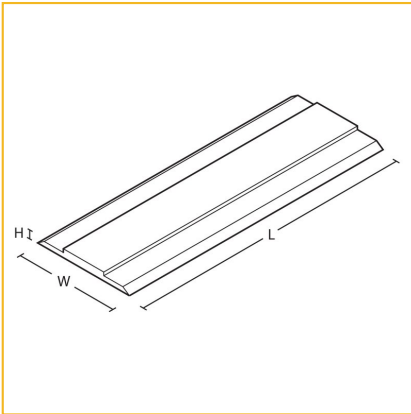
## Options

500mm WIDE OPTION	Replace the 7 with 5 for rafts, infills and end caps	i.e FSA530H14KS
46mm ACOUSTIC ABSORPTION MATERIAL	Replace the 30 with 46	i.e FSA746H14KS
COMEPS	Add suffix /EP	i.e FSA730H14KS/EP
COMMAND 4	Replace H with Q4Y	i.e FSA730Q4Y14KS
DALI DIMMING	Replace H with Y	i.e FSA730Y14KS
WHITE FINISH	Replace S with W	i.e FSA730H14KW

## LED Performance

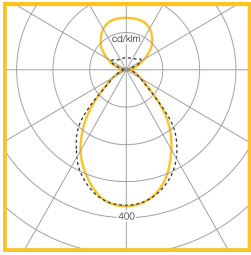
Colour Temp	RA (CRI)	Colour consistency
4000K	>80	MacAdam 3 SDCM

## Dimensions



VERSION	L	W	H	KG	KG(EM)
500mm	2200	500	60	16	17
700mm	2200	700	60	19	20

## Photometric Performance



LED 54W 4800  
Lumens  
LOR = 100.0%  
SHR MAX = 1.35

---

## To Specify

Suspended LED lighting, acoustic and integrated services with concealed thick acoustic absorbers behind perforated side panels in a shallow 30° chamfered steel body. 2 segregated wiring channels with either semi specular zero iridescent MIRO 5 material louvre or hexaprism diffuser - as Whitecroft Lighting FOIL Single Optic

---