

Florin E3

High performance emergency luminaire

Whitecroft
lighting

IP30

IP44

LED



Escape route



Surface

Optics

- 3W high output LED delivering 150 (recessed) or 260 (surface) lumens
- Open area and escape route distribution patterns
- Polycarbonate Tp(a) rated optics
- COMEPS version can be used as self-test by not connecting the DALI pair
- Minimum life of 50,000 hours

Body

- White high performance LED emergency head and charge indicator with non-maintained driver, charger and battery
- 3 hour non-maintained
- Ambient temperature range of 0°C to +35°C
- Battery, recessed version - Nickel Cadmium NiCd
- Battery, surface version - Lithium Iron Phosphate LiFePO4
- Central Battery version is a slave luminaire and does not include a hold-off relay (to be supplied by others)
- RAL Colour: White RAL9016.

Recessed

- Dedicated codes for open area and escape route versions
- Battery housing ensures a neat cut aperture hole and effective installation through fixed ceilings
- Suitable for ceiling thickness of 10-25mm with a minimum ceiling void of 175mm
- Ceiling thickness less than 10mm may require a patress (not supplied)
- Stainless steel spring clips to secure lamp head in position

Surface

- Supplied with two lenses for open area or escape route distribution
- COMECS / Easy Test functionality as standard
- Uses Lithium Iron Phosphate (LiFePO4) batteries for stability, good performance and longer life
- LiFePO4 battery life in excess of 6 years at local ambient temperature up to 55°C

Order codes

Recessed

Escape Route	FLE32
Open Area Distribution	FLE31

Surface

Escape Route (&Open Area)	FLS31/EP
Open Area (&Escape Route)	FLS31/EP

Options

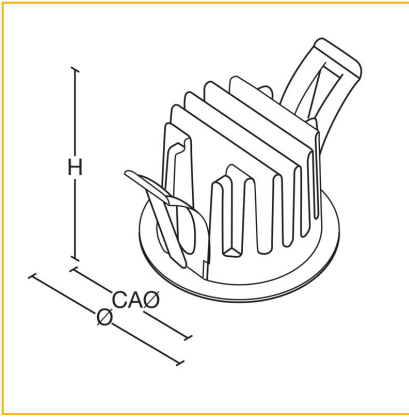
CENTRAL BATTERY *	Add suffix /CB	i.e FLE32/CB or FLS31/CB
COMECS **	Add suffix /EP	i.e FLE32/EP

/CB and /EP cannot be used together

* Central Battery version is a slave luminaire and does not include a hold-off relay

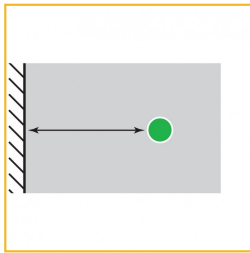
** COMECS - when not connected to the DALI system will operate as Easytest

Dimensions



VERSION	H	KG(EM)	Ø	CAØ
Recessed Florin E3 head	25	0.31 (0.46 COMEPS)	55	45
Surface Florin E3 head	43	0.24	142	

Performance Guide



Open Area - From Wall
Mounting Height

2.5m 5.0m

3.0m 5.4m

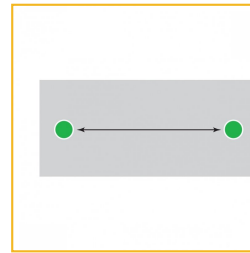
3.5m 5.4m

Escape Route - From Wall
Mounting Height

2.5m 6.1m

3.0m 6.5m

3.5m 6.6m



Open Area - Between Heads
Mounting Heights

2.5m 12.0m

3.0m 13.6m

3.5m 14.8m

Escape Route - Between Heads
Mounting Heights

2.5m 15.0m

3.0m 16.3m

3.5m 17.4m

To Specify

Stand alone recessed or surface mounted white high performance LED emergency luminaire, complete with charge indicator, driver, charger and battery, capable of operation in non maintained mode. Alternative version for Central Battery. Driver to ensure constant light output independent of battery voltage for 3 hours from mains failure - as Whitecroft Lighting FLORIN E3