

Florin E3 High Level

Whitecroft
lighting

Stand alone luminaire supporting the requirements for high risk task area emergency lighting

IP30

LED



Optics

- 2.3W LED delivering 280 lumens
- Minimum life of 50,000 hours

Body

- White high level LED emergency head and charge indicator with driver, charger and battery
- 3 hour non-maintained
- White body
- Ambient temperature range of 0°C to +45°C
- Battery – long life Lithium Iron Phosphate (LiFePO4)
- Suitable for ceiling thickness of 10-25mm with a minimum ceiling void of 175mm (10mm thick tile)
- Stainless steel spring clips to secure LED head in position
- Specifically designed for high risk or high output emergency task lighting for compliance with BS5266 Part 1 2011
- Can also be supplied for surface mounting - please contact Whitecroft Technical Department for more information

Order codes

Florin E3 Recessed High Level

3 hr non-maintained

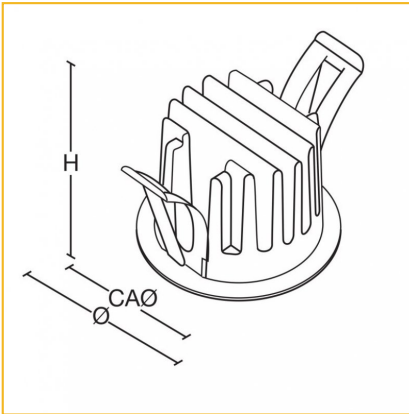
FLH31

Options

Enter Title here	Fixed Output	3hr Emergency
COMEPS *	Add suffix /EP	i.e. FLH31/EP
230V Central Battery	Add suffix /CB	i.e. FLH31/CB

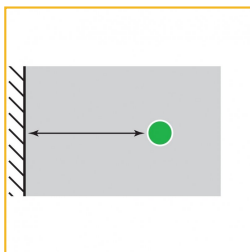
* When not connected to the DALI system will operate as Easytest

Dimensions

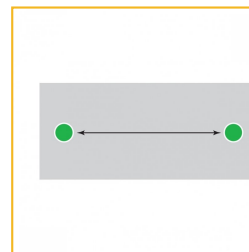


VERSION	L	W	H	KG(EM)	Ø	CAØ
LED Head			25	0.05	55	45
Driver	198	32	22	0.256		
Battery (except CB version)	270	33	33	0.154		

Performance Guide



Open Area - Mounting Height	From Wall
9m	3.9m
12m	4.5m
15m	5.3m



Open Area - Mounting Height	Between Fittings
9m	7.8m
12m	9.8m
15m	11.7m

To Specify

Stand alone recessed white high level LED emergency luminaire, complete with charge indicator, driver, charger and battery, capable of operation in non maintained mode. Driver to ensure constant light output independent of battery voltage for 3 hours from mains failure – as Whitecroft Lighting FLORIN E3 HIGH LEVEL