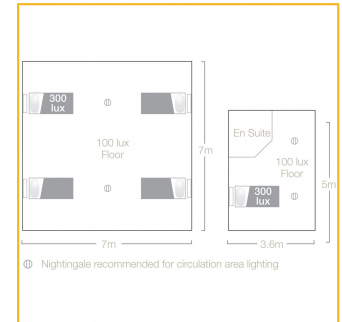


# Florence Elite

Low profile IP40 direct/indirect bedhead luminaire

Whitecroft  
lighting



## Overview

A dedicated bed head ward solution with combined up/downlighter delivers various lighting scenes from nursing care to night-time observation.

## Optics

- Light source options:
  - LED 3000 lumens 25W\* uplight (ward lighting)
  - LED 1500 lumens 18.5W\* downlight (reading/nursing care)

\*Total power consumption including driver

- Uplight - wide integrated reflectors to maximise efficiency
- Downlight - Nano prism diffuser for maximum patient comfort
- Both the ward and reading light sources are independently dimmable by "push control" so the following lighting levels can be selected to meet LG2 requirements:
  - Patient rest 30-50 Lux
  - Watch light 15-20 Lux
  - Reading 300 Lux
  - General nursing care 300 Lux
- LED version requires DALI input unit & onsite commissioning
- LED version 4000K "Cool White"

## Body

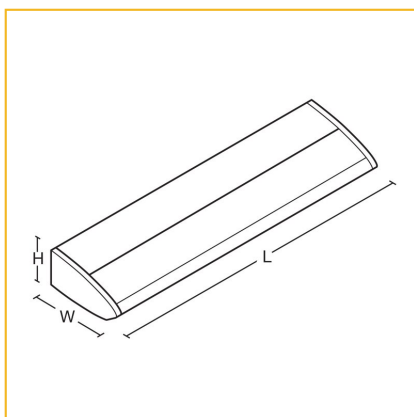
- IP40
- RAL Colour: White RAL9003.
- Extruded aluminium spine & 'push on' moulded end caps
- One piece membrane diffuser for maximum infection control
- Wall mounted, recommended mounting height 2m for typical 2.6m-3m ceiling heights
- 1st fix wall bracket, pre-wired to GST 18/4 flying leads For other connector requirements please contact the Technical Desk
- No visible screws and easy/cleaning access to the top of the luminaire

## Order codes

		B50		
	LL/CW	L70	L80	L90
LED 1 x 3000 lumen up/1500 lumen down (DALI) FEY2415	106	>100K	>100K	80k

Note: Luminaire code FEY2415 has 2 drivers and requires 2 DALI addresses

## Dimensions



L	W	H	KG
895	213	95	5

## To Specify

Direct/indirect wall mounted hospital bed head luminaire using LED light source with separately switched dimmable ward lighting and reading/ nursing care light. Easy to clean, IP40 rated extruded aluminium body with one piece infection control diffuser membrane - as Whitecroft Lighting FLORENCE ELITE

## Application images

