

Florence+

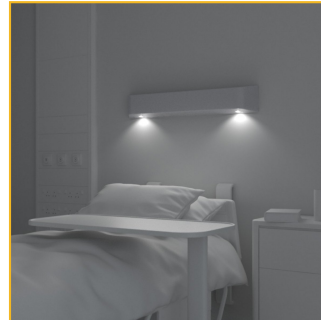
Elegant low profile design bedhead luminaire

Whitecroft
lighting

120+
LL/CW

IP44

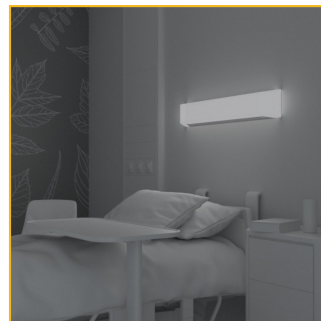
LED



Patient reading



Single piece wipe clean
injection moulding



Patient observation



Patient examination
(Florence+ 1000)

Overview

For new build or refurbishment projects, encompassing all lighting states from a single lighting point. An elegant single piece low profile design delivering an > Ra90 combination of upward, forward and downward light, independently dimmable to comply with LG2 requirements.

Optics

- Three distinct light sources:
 - Upper - Concealed Indirect (4000K)
 - Front - Patient (4000K or Tunable White)
 - Lower - Task / Reading (4000K or 3000K)
- Two versions with a choice of outputs delivering up to 1000 lux at bed level for patient examination
- Florence+ 300
 - Upper optic - 3250 lumens*
 - Front optic - 2350 lumens*
 - Lower optic - 1600 lumens*
- Florence+ 1000
 - Upper optic - 7500 lumens*
 - Front optic - 5000 lumens*
 - Lower optic - 1800 lumens*

* Nominal outputs

- Light sources are independently dimmable to comply with LG2 requirements, at 1.8m mounting height:
 - Patient at rest - a relaxing lower level of illumination (100 Lux)
 - General nursing care - Medical practices carried out at the bed space (300 Lux)
 - Patient examination - Full light output for detailed patient examination (1000 Lux) **
 - Patient reading - Lighting directly on the pillow in a 1x1 metre area, can also be used as an additional lights source for nursing task (300 Lux)
 - Patient observation - dimmed to allow continuous observation at night (15-20 Lux)

** Florence+ 1000 luminaire

Body

- Single piece wipe clean injection moulding has no seams or visible screws
- RAL Colour: White RAL9003
- IP44 protection rating
- Wall mounted, recommended mounting height 2m for typical 2.6m-3m ceiling heights
- 1st fix wall bracket, pre-wired to GST 18/4 flying leads (*For other connector requirements please contact the Whitecroft Lighting Technical Desk*)
- Optional wireless Air Control gives the patient even more control with seamless graduation between cool and warm light
- DALI as standard - requires DALI input unit and onsite commissioning
- Switch dim option available with Florence+ 300 for retrofit applications

Order codes

Florence+ 300

			B50		
Colour Temperature	DALI	LL/CW *	L70	L80	L90
4000K Up and Front, 3000K Lower	FCP3Y4K3KW	132	50K	50K	50K
4000K Up and Front, 4000K Lower	FCP3Y4K4KW	132	50K	50K	50K

* Efficacy noted is for "Patient at Rest" scene, please see photometry files for further detail on other scenes
 Note: Florence+ 300 has 2 drivers and requires 2 DALI addresses

Florence+ 1000

			B50		
Colour Temperature	DALI	LL/CW *	L70	L80	L90
4000K Up and Front, 3000K Lower	FCP1Y4K3KW	132	50K	50K	50K
4000K Up and Front, 4000K Lower	FCP1Y4K4KW	132	50K	50K	50K
4000K Up, Tunable Front, 3000K Lower	FCP1YTE3KW	132	50K	50K	50K
4000K Up, Tunable Front, 4000K Lower	FCP1YTE4KW	132	50K	50K	50K

* Efficacy noted is for "Patient at Rest" scene, please see photometry files for further detail on other scenes
 Note: Florence+ 1000 has 3 drivers and requires 3 DALI addresses (Tunable White versions 4 drivers and 4 DALI addresses)

Options

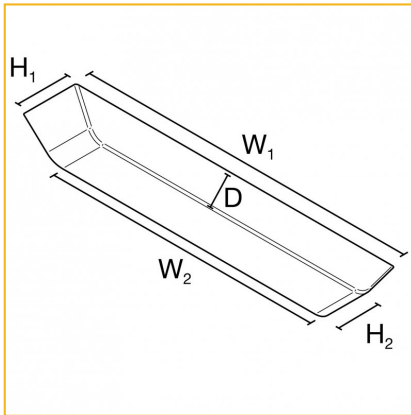
AIR CONTROL *** Add AC before Y i.e. FCP3ACY4K3KW

SWITCH DIM **** Replace Y with X i.e. FCP3X4K3KW

*** Air Control is remotely housed for Florence+ 1000

**** Only available with Florence+ 300

Dimensions



VERSION	W1	W2	H1	H2	D	KG
Florence+	920	775	155	121	100	7.5

To Specify

Elegant low profile bedhead luminaire delivering an > Ra90 combination of upward, forward and downward light. Single piece wipe clean injection moulding has no seams or visible screws. Light sources deliver up to 1000 lux at bed level for patient examination and are independently dimmable to comply with LG2 requirements - as Whitecroft Lighting FLORENCE+.