

# Euroflood MaxiLED

High output LED floodlight for outdoor and sports applications

Whitecroft  
lighting

100+  
LL/CW

IK08

IP66

LED



One Module



Two module

## Optics

- Output range between 27,487 to 120,487 lumens (257 to 1386W)
- 4000K, Ra 70 high power LEDs
- Asymmetric distribution with 50° peak intensity
- Up to 120,000 hour life

## Body

- IP66, IK08 rated protection
- Die cast aluminium body with cooling fins for heat dissipation.
- Finished in graphite grey suitable for saline and corrosive environments
- For outdoor applications within 3km of the coast, an enhanced paint finish can be offered on request
- Clear 4mm thick tempered glass, resistant to impact and thermal shock
- 1 and 2 module versions include integral IP66 rated fixed output drivers
- 3 module version requires remote driver, ordered separately
- Integrated stirrup bracket allowing tilt angles between +20 and -20°
- Protractor scale for accurate aiming
- Suitable for single phase 230V supply
- Ambient operating temperature range from -30 to +40°C
- We also offer a wide range of lighting columns and brackets.

See our columns section for details

# Order codes

## 1 Module

1 Module		LL/CW	L70	L80
700mA, 27487 lumen, 257W	EFX1H14KA	106	>100k	100k
1050mA, 36527 lumen, 396W	EFX1H24KA	92	100k	80k
1200mA, 40160 lumen, 457W	EFX1H34KA	88	70k	50k

## 2 Module

2 Module		LL/CW	L70	L80
700mA, 54983 lumen, 514W	EFX2H14KA	106	>100k	100k
1050mA, 73066 lumen, 800W	EFX2H24KA	91	100k	80k

## 3 Module

3 Module		LL/CW	L70	L80
700mA, 82474 lumen, 778W*	EFX3H14KA	106	>100k	100k
1200mA, 120487 lumen, 1386W*	EFX3H24KA	86	70k	50k

\* Requires 1 remote driver – see accessories below

## Accessories

700mA IP20 driver for remote mounting, to suit 3 module floodlight EFX3H700IP20

1200mA IP20 driver for remote mounting, to suit 3 module floodlight EFX3H1200IP20

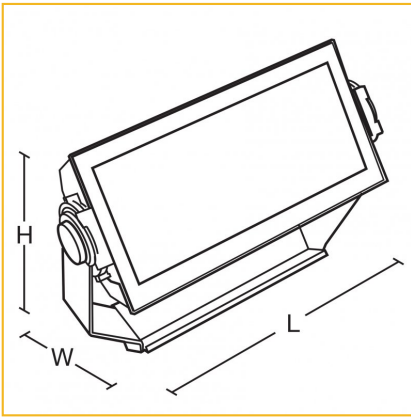
700mA IP66 driver for remote mounting, to suit 3 module floodlight EFX3H700IP66

1200mA IP66 driver for remote mounting, to suit 3 module floodlight EFX3H1200IP66

## LED Performance

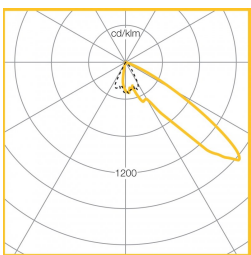
Colour Temp	RA (CRI)	Colour consistency
4000K	>70	MacAdam 3 SDCM
4000K	>70	MacAdam 3 SDCM
4000K	>70	MacAdam 3 SDCM

## Dimensions



VERSION	L	W	H	KG	Windage M <sup>2</sup>
1 Module	642	214	281	9	0.14
2 Module	757	303	494	28	0.37
3 Module	757	303	673	32	0.47
IP20 Driver	770	180	140	7	
IP66 Driver	490	146	170	9	

## Photometric Performance



Asymmetric 50°  
4000K, Ra 70  
LED  
LOR = 100%

## To Specify

High output IP66 rated LED floodlight with die cast aluminium body in 1, 2 or 3 module configuration. Asymmetric distribution pattern for accurate lighting design and to minimise light spill. – as Whitecroft Lighting EUROFLOOD MAXILED

---