

Esprit LED

Compact downlighter

Whitecroft
lighting

IP44

LED



Opal disc



Floating ring

Optics

- Output Options:
 - 1000 lumens (13W)
 - 2000 lumens (24W)
 - 3000 lumens (29W)
- Supplied complete with anodised specular reflector
- Two colour temperature options;
 - 'Cool' white 4000K
 - 'Warm' white 3000K
- Optional integral emergency options in 3hr or COMEPS (COMEPS can be wired as Easytest if required)

Body

- IP44 as standard
- IP54 options available with disc attachment
- TP(a) options available with disc attachment
- Supplied complete with driver in fixed output or DALI
- Black cast aluminium heatsink with white polycarbonate body and bezel
- Optional attachments available for visual differentiation or wipe-clean surface (supplied separately);
 - IP54 clear or opal flat polycarbonate disc
 - TP(a) clear or opal flat polycarbonate disc
 - Architectural floating ring with clear sides and an opal underside
 - Anti-glare control insert for reduction of glare
- Rapid spring assembly installation
- For ceiling thicknesses of 1mm - 30mm
- RAL Colour: RAL9003

Order codes

4000K

			B50			
4000K	Fixed Output	3hr Emergency	LL/CW	L70	L80	L90
1000 lumens (13W)	ESLH14K	ESLH14KEM	91	>100k	>100k	74k
2000 lumens (24W)	ESLH24K	ESLH24KEM	84	>100k	77k	36k
3000 lumens (29W)	ESLH34K	ESLH34KEM	101	>100k	85k	39k

Accessories

Clear IP54 Disc Attachment	ESLA-IP54C
Opal IP54 Disc Attachment	ESLA-IP54
Clear TP(a) IP54 Disc Attachment	ESLAP-IP54C
Opal TP(a) IP54 Disc Attachment	ESLAP-IP54
Architectural floating ring	ESLA-3
Anti glare control insert	MLA-AGC

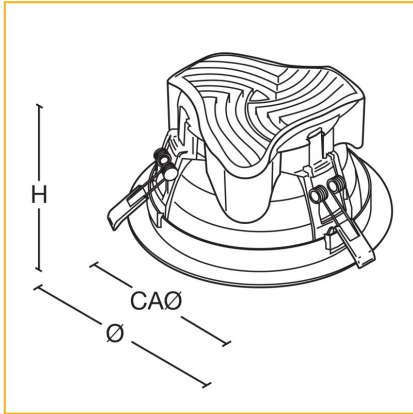
Options

3000K	Replace 4K with 3K
COMEPS*	Add suffix /EP
DALI	Replace H with Y

LED Performance

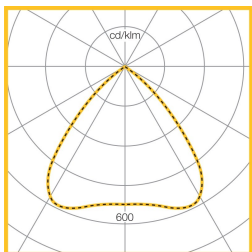
Colour Temp	RA (CRI)	Colour consistency
4000K	>80	MacAdam 3 SDCM

Dimensions

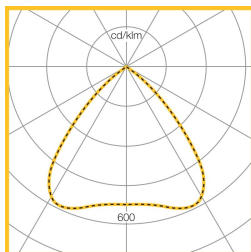


H	KG	KG(EM)	Ø	CAØ
99.1	1	2	192	165

Photometric Performance

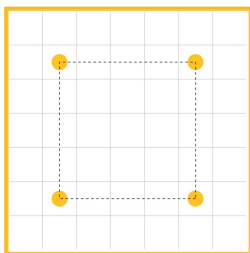


4000K 9W, 1100 Lumen
LOR = 100.0%
SHR MAX = 1.65



4000K 17.5W, 2000 Lumen
LOR = 100.0%
SHR MAX = 1.65

Performance Guide



Lamps	4000K LED
Illuminance	203 lux
Spacing	3.0m x 3.0m
Maintenance	0.8
Reflectance	70/50/20
Ceiling Height	2.7m
Working plane	0.8m

To Specify

Recessed LED downlight with cast aluminium heatsink, white polycarbonate body and bezel, and integral 1100 / 2000 / 3000 lumen light engine and driver. 165mmØ cut aperture for ceiling thicknesses of 1-30mm. Rapid spring assembly installation – as Whitecroft Lighting ESPRIT LED
