

Dusk LED

IP54 surface mounted bulkhead

Whitecroft
lighting

100+
LL/CW

IP54

LED



Square Opal

Optics

- Output options:
 - 1044 lumens (10W)
 - 1434 lumens (16W)
- Emergency Output (BLF):
 - 14K - 334 Lumens
 - 24K - 116 Lumens
- 4000K
- Opal polycarbonate diffuser

Body

- IP54 rated
- Injection moulded polycarbonate body
- Round version – black or white body
- Square version – black body only
- Fixed output driver
- Hinged gear tray for quick installation
- Surface mounted using BESA rear fixings or conduit side entry options
- Can be 'through-wired'
- 3 hour integral emergency option
- Can be wired for maintained or non-maintained emergency operation.

Order codes

Title

Title	Fixed Output	3hr Emergency	LL/CW	L70
Round 1044 lumen, 10W	DKROL14KB	DKROL14KBEM	104	50k
Round 1434 lumen, 16W	DKROL24KB	DKROL24KBEM	90	50k
Square 1044 lumen, 10W	DKSOL14KB	DKSOL14KBEM	104	50k
Square 1434 lumen, 16W	DKSOL24KB	DKSOL24KBEM	90	50k

Options

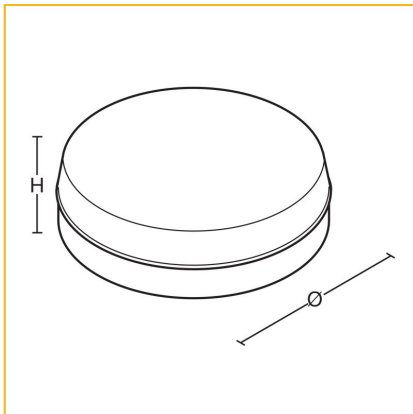
White Body 1 Replace B with W i.e DKROL14KW

1: Round version only

LED Performance

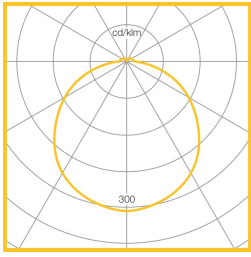
Colour Temp	RA (CRI)	Life expectancy	Colour consistency
4000K	>80	L70(50,000hrs)	MacAdam 3 SDCM

Dimensions



	L	W	H	KG	KG(EM)	Ø
Round			94	3	4	321
Square	275	275	97	3	4	

Photometric Performance



16W 4000k 1434
Lumen
LOR = 100.0%

To Specify

IP54 surface mounted injection moulded polycarbonate LED bulkhead. With opal diffuser to control glare and efficient LEDs and driver combination – as Whitecroft DUSK LED
