

DTFU

Whitecroft
lighting

IP65/54 recessed luminaire with sealed two frame construction

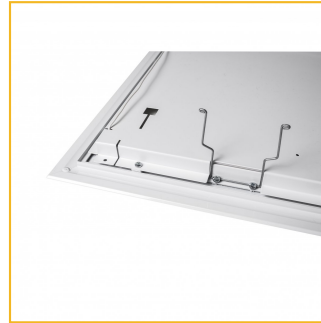
120+
LL/CW



IP 54
65

LED

ECA



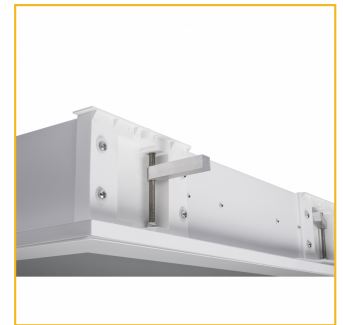
DTFU Spring Mechanism



DTFU Rear



DTFU 600x600



DTFU Jacking Bracket

Overview

DTFU is at the forefront of clean area luminaire design featuring unique design solutions to ensure that IP performance is not compromised whatever the ceiling type. Combining robust construction with optical performance, DTFU incorporates the use of edge-lit optics with Nhex-prism diffusing technology to meet the most stringent glare control requirements of EN12464-1.

Optics

- 600mm x 600mm*:
 - 3300 lumens (28W)
 - 4100 lumens (34W glass, 35W prism)
- 300mm x 1200mm*:
 - 3300 lumens (25W glass, 26W prism)
 - 4100 lumens (32W)
- 600mm x 1200mm*:
 - 6000 lumens (48W glass, 49W prism)
 - 9000 lumens (72W glass, 76W prism)
- 4000K colour temperature
- Nhex-prism optical control provides glare compliance to EN12464-1 as standard
- All optics are TP(a) rated to limit spread of flame in the event of fire
- Edge lit technology increases luminaire efficiency as the light source is closer to the optic
- Optional 4mm toughened glass front face resists all cleaning chemicals
- Optional Ra greater than or equal to 90 for enhanced examination in healthcare environments



*Notional dimensions

Body



- Universal installation, suitable for a wide range of modular and prepared aperture ceiling types
- Extruded aluminium front frame without screws to reduce risk from bacterial contamination
- LDPE non degradable single piece gasket to protect room from void contamination
- IP65 to the front, IP54 to the rear
- Back access and through access available to facilitate maintenance of services located in the ceiling void
- Through access option has robust suspension mechanism for safe removal and support of frame
- IP54 ceiling integration retained when front frame removed
- Solid aluminium side arm jacking brackets for assured ingress protection
- Suction cup kit required for maintainance (separate order)

Order codes



600 x 600

				B50		
Nhex-prism Diffuser	Fixed Output	3hr Emergency	LL/CW	L70	L80	L90
3300 lumens (28W)	DLUKH14K	DLUKH14KEM	 117	>100k	70k	32k
4100 lumen (35W)	DLUKH24K	DLUKH24KEM	 116	>100k	70k	32k

300 x 1200

				B50		
Nhex-prism Diffuser	Fixed Output	3hr Emergency	LL/CW	L70	L80	L90
3300 lumens (26W)	DLUKH34K	DLUKH34KEM	 127	>100k	70k	32k
4100 lumen (32W)	DLUKH44K	DLUKH44KEM	 127	>100k	70k	32k

600 x 1200

				B50		
Nhex-prism Diffuser	Fixed Output	3hr Emergency	LL/CW	L70	L80	L90
6000 lumens (49W)	DLUKH54K	DLUKH54KEM	 122	>100k	70k	32k
9000 lumens (76W)	DLUKH64K	DLUKH64KEM	 118	>100k	70k	32k

Accessories

DTFU Recessing Panel for Spring T DRP600X600
600mm x 600mm

DTFU Recessing Panel for Spring T DRP300X1200
300mm x 1200mm

DTFU Recessing Panel for Spring T DRP600X1200
600mm x 1200mm

Suction Cup Kit * SUCCUP

* Kit includes 2 suction cups

Options

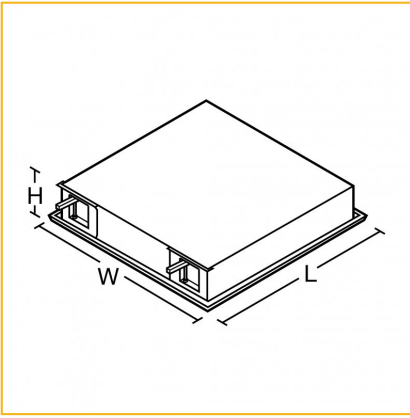
Option		
DALI	Replace H with Y	i.e DLUKY14K
Back Access	Add BA to end of code, before Emergency	i.e DLUKH14KBA
Through Access **	Add TA to end of code, before Emergency	i.e DLUKH54KTA
Glass	Change DLUK to DLUG	i.e DLUGY14K
Ra90	Add 9 after D	i.e D9LUKY14K
COMEPS	Add EP	i.e. DLUKY14KEP

** Through access only available on 600mm x 1200mm luminaires

LED Performance

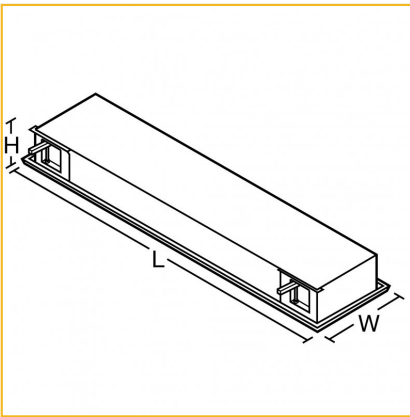
Colour Temp	RA (CRI)	Colour consistency
4000K	>80	MacAdam 3 SDCM

Dimensions



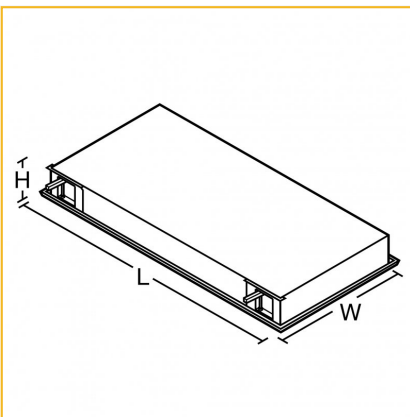
VERSION	L	W	H	KG	KG(EM)	Cut Aperture
600 x 600	598	598	139	12	13	573 x 573*

*Cut Aperture Tolerance +/-3



VERSION	L	W	H	KG	KG(EM)	Cut Aperture
300 x 1200	1198	298	139	12	13	1173 x 273*

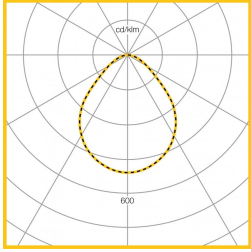
*Cut Aperture Tolerance +/-3MM



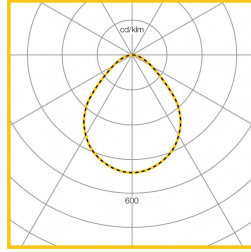
VERSION	L	W	H	KG	KG(EM)	Cut Aperture
600 x 1200	1198	598	139	23	24	1173 x 573*

*Cut Aperture Tolerance +/-3

Photometric Performance

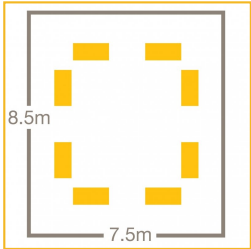


DTFU 600mm x
600mm
LOR = 100%
SHR MAX = 1.52



DTFU 600mm x
1200mm
LOR = 100%
SHR MAX = 1.56

Performance Guide



Lumens 9000 lumens

Average 1040 lux

Maintenance 0.8

Reflectance 70/50/20

Ceiling Height 3.00m

Working plane 1.00m

To Specify

Recessed LED clean room luminaire for modular or prepared aperture ceilings to a BSI tested and certified construction as IP65 to the front on and IP54 to the rear. Twin in line extruded aluminium frames with angled integration and a screwless front fascia. TP(a) prismatic diffuser as standard with optional toughened glass optic for maximum resistance to cleaning agents. Installation via solid aluminium jacking brackets, back access and through access luminaire options to facilitate maintenance including services located in the ceiling void - as Whitecroft Lighting DTFU.

Application images

