

Convor Suspended

High output circular pendant

Whitecroft
lighting



IP40

LED



Feature Ring



Extruded Aluminium Bezel

Optics

- LED 4650 lumens (40W)
- Emergency Output 455 Lumens
- Micro polymer diffuser option in polycarbonate for applications where impact resistance is important

Body

- Two part spun steel body finished silver and injection moulded gear tray, providing thermal management
- RAL Colour: Silver RAL9006
- IP40
- Optional extruded and rolled aluminium bezel
- Optional acrylic feature ring available
- Suspension by 3 wire suspension kit supplied separately. Adjustable drop to 3m
- Integral emergency versions due to superior thermal management construction
- Optional Command 5 microwave sensor available mounted behind the diffuser for on/off operation

Order codes

Convor

						B50	
Convor	HF Gear	3hr Emergency	LL/CW	L70	L80	L90	
4650 Lumen (40W)	CVLPH14K	CVLPH14KEM	 116	>50K	>50K	50K	

Accessories

Bezel	CNVBEZ
Feature Ring	CNVFR
Suspension Kit	CNVSUSKIT

Options

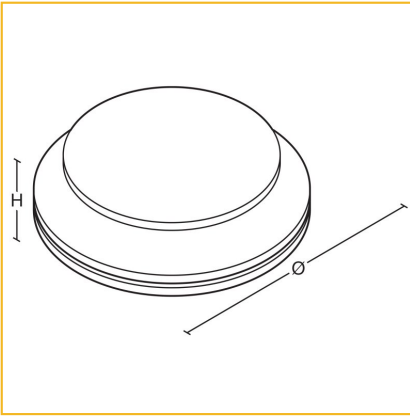
COMEPS**	Add suffix /EP	i.e CVLPH14K/EP
COMMAND 5**	Add Q5 after CVLP	i.e CVLPQ5H14K
DALI DIMMING	Replace H with Y	i.e CVLPY14K

** Command 5 is only available with Fixed Output drivers

LED Performance

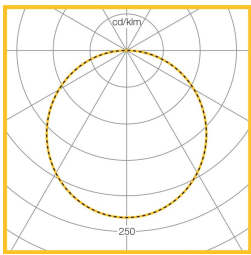
Colour Temp	RA (CRI)	Colour consistency
4000K	>80	MacAdam 3 SDCM

Dimensions



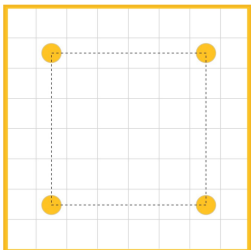
VERSION	H	KG	KG(EM)	Ø
LED Standard	168	3.9	4.3	538
LED Bezel	168	4.4	4.8	596
LED Feature Ring	168	4.1	4.5	680

Photometric Performance



4650 lumen, 40W
LED
LOR = 100%
SHR MAX = 1.67

Performance Guide



Lamps	4650 lumen LED
Illuminance	450 lux
Spacing	3.0m x 3.0m
Maintenance	0.8
Reflectance	70/50/20
Ceiling Height	2.7m
Working plane	0.8m

To Specify

High output LED circular IP40 luminaire with micro polymer diffuser in polycarbonate. Two part body with thermal management to allow integral self contained emergency option - as Whitecroft Lighting CONVOR

Application images

