

# Convor Surface

High output circular pendant

Whitecroft  
lighting



IP40

LED



Extruded Aluminium Bezel



Standard Bezel



Feature Ring

## Optics

- LED 4650 lumens (40W)
- Emergency Output 455 Lumens
- High output LED light source to reduce number of installed luminaires, ideal for stairwells
- Micro polymer diffuser option in polycarbonate for applications where impact resistance is important
- Twist and lock diffuser location

## Body

- Two part spun steel body finished silver and injection moulded gear tray with first fix detail
- RAL Colour: Silver RAL9006
- Integral emergency versions due to a superior thermal management construction
- IP40
- Optional extruded and rolled aluminium bezel
- Optional acrylic feature ring available
- Optional Command 5 microwave sensor available mounted behind the diffuser with on/off operation

## Order codes

### Convor

				B50		
Convor	Fixed Output	3hr Emergency	LL/CW	L70	L80	L90
4650 Lumen (40W)	CVLPH14K	CVLPH14KEM	116	>50K	>50K	50K

### Accessories

Bezel	CNVBEZ
Feature Ring	CNVFR
Surface Conduit Adaptor	CNVSCA

### Options

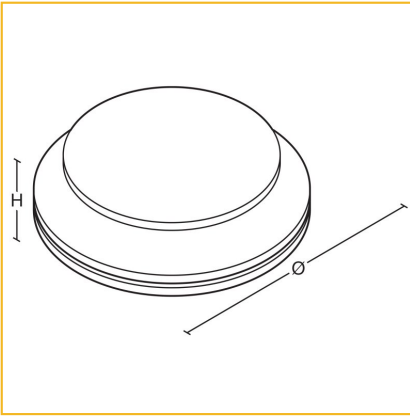
COMEPS	Add suffix /EP	i.e CVLPH14K/EP
COMMAND 5**	Add Q5 after CVLP	i.e CVLPQ5H14K
DALI DIMMING	Replace H with Y	i.e CVLPY14K

\*\* Command 5 is only available with Fixed Output drivers

## LED Performance

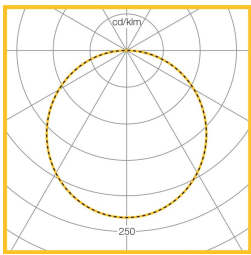
Colour Temp	RA (CRI)	Colour consistency
4000K	>80	MacAdam 3 SDCM

## Dimensions



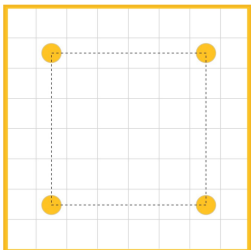
VERSION	H	KG	KG(EM)	Ø
LED Standard	168	3.9	4.3	538
LED Bezel	168	4.4	4.8	596
LED Feature Ring	168	4.1	4.5	680

## Photometric Performance



4650 lumen, 40W  
LED  
LOR = 100%  
SHR MAX = 1.67

## Performance Guide



Lamps	4650 lumen LED
Illuminance	450 lux
Spacing	3.0m x 3.0m
Maintenance	0.8
Reflectance	70/50/20
Ceiling Height	2.7m
Working plane	0.8m

## To Specify

High output LED circular IP40 luminaire with micro polymer diffuser in polycarbonate. Two part body with thermal management to allow integral self contained emergency option – as Whitecroft Lighting CONVOR

---