

Compact R6

Recessed downlighter

Whitecroft
lighting

IP54

LED



Optics

- Output options;
 - 1100 lumens (12W)
 - 2000 lumens (21W)
- Opal UV resistant polycarbonate diffuser
- Two colour temperatures available:
 - 'Warm' white 3000K
 - 'Cool' white 4000K

Body

- Recessed mounting
- Die cast aluminium body finished white
- Spring assembly installation
- For ceiling thicknesses 3mm - 20mm
- RAL Colour: RAL9016
- Integral 3hr or COMECS emergency options available

Order codes

Compact R6

Compact R6 4000K	Fixed Output	3hr Emergency	LL/CW	L70
200mm, 1100 lumens, 12W	CPH114K	CPH114KEM	94	50K
230mm, 2000 lumens, 21W	CPH204K	CPH204KEM	99	50K

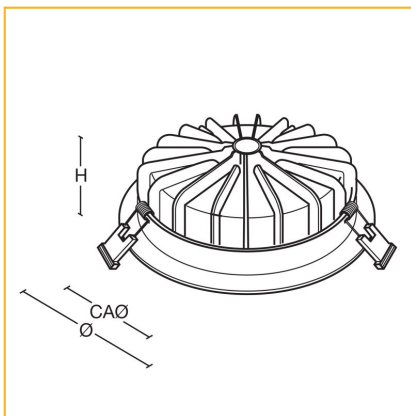
Options

3000K	Replace 4K with 3K	i.e CPH113K
COMEPS*	Add suffix EP	i.e CPH114KEP

LED Performance

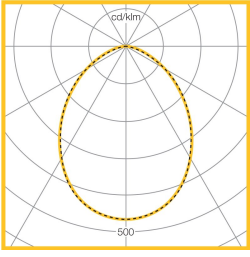
Colour Temp	RA (CRI)	Colour consistency
4000K	>80	MacAdam 3 SDCM
4000K	>80	MacAdam 3 SDCM

Dimensions

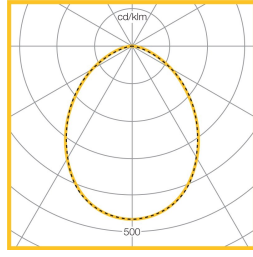


VERSION	H	KG	KG(EM)	Ø	CAØ
1100lm	63	4.2	5.2	200	175
2000lm	63	5	6	230	205

Photometric Performance

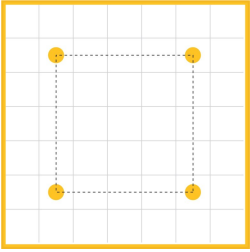


16W LED 3000K
1100 Lumen
LOR = 100.0%
SHR MAX = 1.43



26W LED 3000K
2000 Lumen
LOR = 100.0%
SHR MAX = 1.46

Performance Guide



Lamps	25W LED
Illuminance	203 lux
Spacing	3.0m x 3.0m
Maintenance	0.8
Reflectance	70/50/20
Ceiling Height	2.7m
Working plane	0.0m

To Specify

Recessed IP54 LED downlighter with cast aluminium body, white aluminium bezel and integral LED light engine. Driver included as standard – as Whitecroft Lighting COMPACT R6