

Command Elite COMD2CR

Whitecroft
lighting

DALI router



Overview

Interface

To enable complete control of your Command Elite lighting control system, Whitecroft have developed an on-line electronic interface allowing complete control and reporting from a remote location. This secure system allows you to interrogate and report on individual or groups of luminaires or indeed any DALI component. Live energy monitoring enables the user to compare instant energy usage with recorded trends, ensuring the most efficient lighting set-up is maintained. Emergency testing can be scheduled and reported automatically, ensuring uninterrupted building use when using DALI emergency luminaires.

Body

To further expand the flexibility of a DALI lighting control system, a 2 channel router is available. This gives the opportunity to address up to 128 devices up to 500mA maximum from one router and is scalable to meet the needs of the largest installation as multiple routers can be networked.

128 Addresses

- The DALI Router can address up to 64 devices or up to 250mA maximum on each of 2 channels, giving a wider range than an individual hub

Scalable

- DALI Routers can be linked together by Ethernet cable
- There is no limit to the number of routers used in a single installation, making the system infinitely scalable
- Each router can be assigned an IP address and can be linked into an existing ethernet network

Building – Wide Flexibility

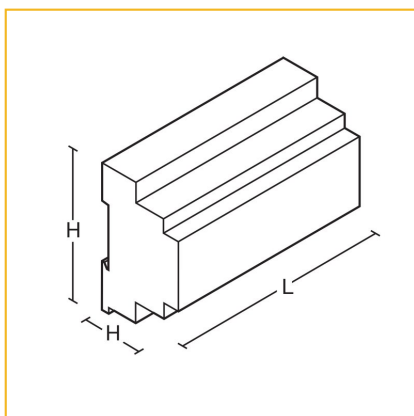
- Each room can be configured independently for the requirements of the space, from simple PIR functionality for storage areas to complex scene-setting for meeting areas.
- Daylight harvesting can reduce energy consumption in open plan or cellular office environments
- Programming can be from a single point with PC-based software configuration. This can even be achieved remotely

Order codes

DALI Router

COMD2CR

Dimensions



L	W	H
158	58	90

To Specify

DALI Router with 2 off 250mA channels. Din rail mounting and ethernet port for networking - as Whitecroft Lighting COMD2CR
