

Command Connect PIR Detector

Programmable dimming PIR absence/presence detector

Whitecroft
lighting



3m lead and plug for switching detectors (supplied)



3m lead and plug for DALI dimming detectors (supplied)

Overview

- All detectors supplied with 3m lead and plug
- Maximum recommended mounting height 3m
- Detectors to be programmed using a handheld programmer*; COMCTHP or COMCTLCDHP (supplied separately)
- Detectors can be controlled using handheld controller* COMCTHC (supplied separately)
- Recessed PIR detection with time and lux level switching or daylight dimming
- Maximum range of 7m Ø (based on 2.8m mounting height)

Switching (4 pole)

COMCTSRA*

- Presence detection
- Powers up to 6A of fluorescent lighting
- Time delay 10s – 30m

COMCTSRB

- Presence/absence detection
- Infrared override
- Powers up to 10A of fluorescent lighting
- Time delay 10s – 99m

DALI Dimming (6 pole)

COMCTYRC

- Presence/absence detection
- Scene setting and recall
- Powers up to 10A of fluorescent lighting
- Controls up to 20 DALI dimming ballasts if relay not enabled or 10 if relay is enabled
- Time delay 10s – 99m

*COMCTSRA cannot be programmed or controlled using handheld devices. Manual programming can be achieved using inbuilt potentiometers.

Order codes

COMCTSRA

PIR switching presence detector	COMCTSRA
---------------------------------	----------

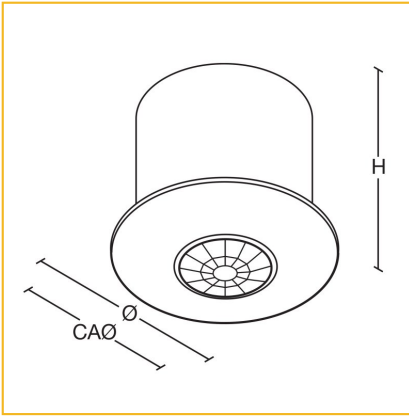
COMCTSRB

PIR switching presence/absence detector	COMCTSRB
---	----------

COMCTYRC

PIR DALI dimming presence/absence detector	COMCTYRC
--	----------

Dimensions



VERSION	H	Ø	CAØ
COMCTSRA / COMCTSRB / COMCTYRC	64	76	64

Performance Guide

