

# Command Connect

*Lighting Distribution System*

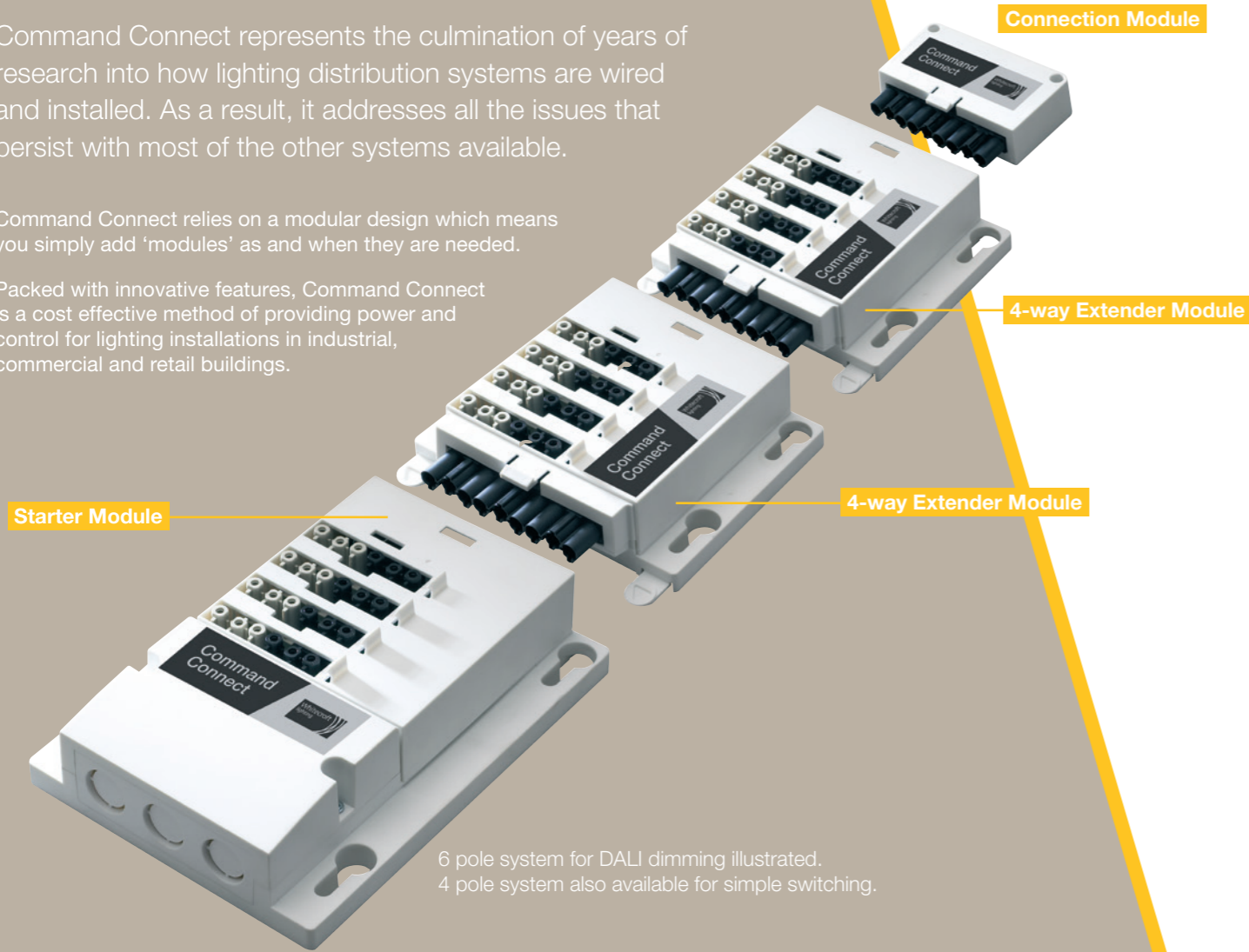
# Command Connect

## Reinventing lighting distribution systems

Command Connect represents the culmination of years of research into how lighting distribution systems are wired and installed. As a result, it addresses all the issues that persist with most of the other systems available.

Command Connect relies on a modular design which means you simply add 'modules' as and when they are needed.

Packed with innovative features, Command Connect is a cost effective method of providing power and control for lighting installations in industrial, commercial and retail buildings.



6 pole system for DALI dimming illustrated.  
4 pole system also available for simple switching.

## It grows and adapts to suit the installation

From 4-way to 16-way using the 4-way extender modules... it couldn't be simpler.

Once Command Connect is installed, modules can be added (or removed) depending on future requirements. Also, as there are so few parts, you don't have to waste space in a warehouse or vehicle with a huge variety of different parts just in case you might need them.

Expandable number of outputs from 4-way to 16-way



Easy to tailor the system to suit the installation – just add on modules and accessories as you need them

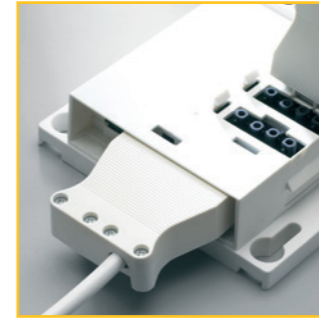


Keep the number of parts simple and to a minimum



## Choice of switching or dimming

Command Connect offers you the choice of switching or DALI dimming to suit your installation. Please contact your local sales engineer.



4 pole connections for standard non-dimming luminaires allows switching or automatic control with presence detectors or an SELV switching module.



6 pole connections for luminaires fitted with a DALI dimming ballast allows switching and DALI dimming when used with presence detectors or an SELV dimming module.



Separate pluggable connections for detectors and control devices so valuable channel outputs are not wasted.

## Extensive range of detectors

The Command Connect system has a range of PIR and microwave presence detectors that include a 3m lead and plug. It is also easy to connect switches to provide absence detection.



PIR detector



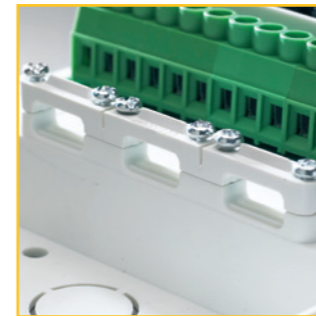
Microwave detector



Directional microwave detector

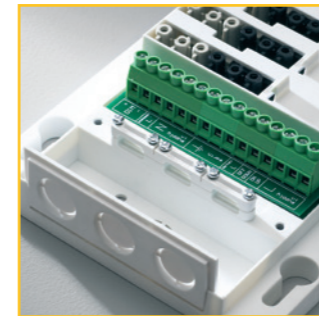
## Hassle-free wiring and installation.

### Integral cable clamps



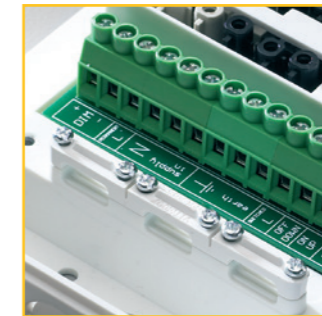
Can be used with grommets or cable glands.

### Large wiring compartments



Lots of space for really easy connections.

### Large terminal block



Large terminals accept 4mm<sup>2</sup> cable.

### Detachable cable entry plate



Detachable cable entry plate for hassle-free wiring.

### Slab mounting



Can be mounted directly onto slab.

### Drop rod mounting



Can be suspended using drop rods.

### BESA box mounting



Rear knockouts available for BESA box fixing.

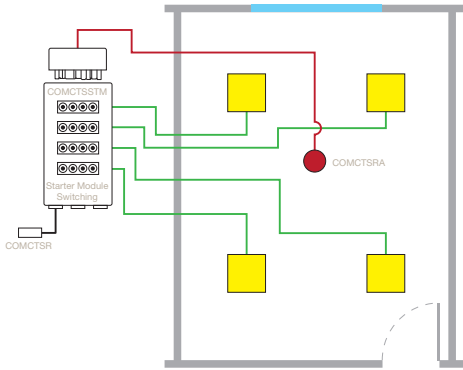
### Accessory



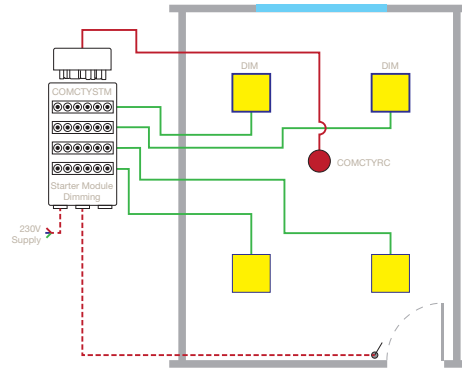
Starter rose kit

# command connect typical layouts

## 4 fitting room



Presence non dimming room with COMCTSRA detector

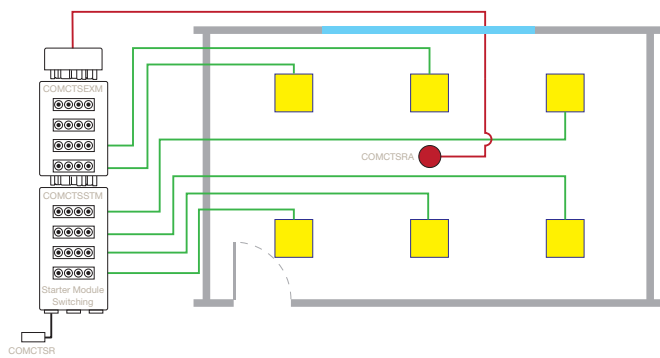


Absence and window row dimming room with COMCTYRC detector

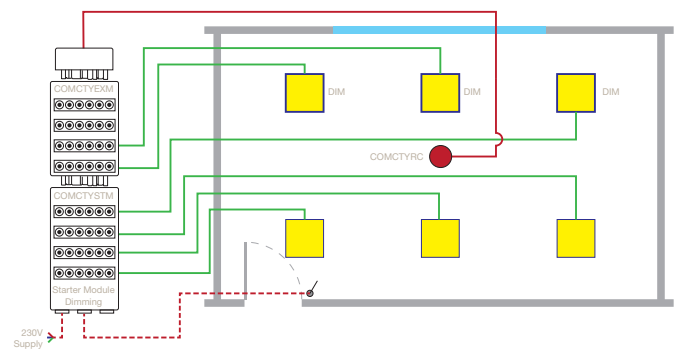
**Key**

Red dotted line represents components supplied and installed by contractor

## 6 fitting room

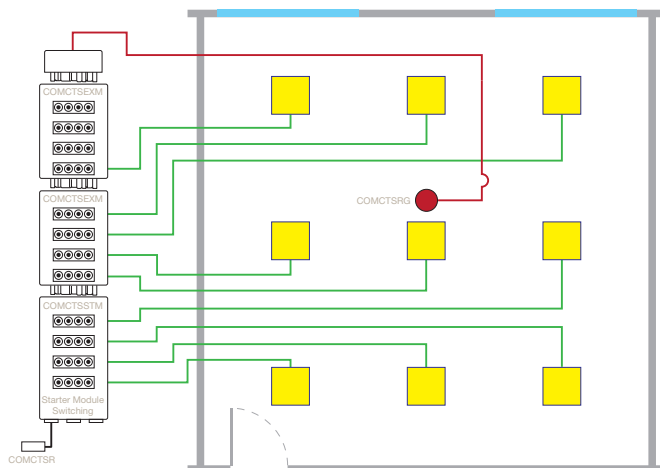


Presence non dimming room with COMCTSRA detector

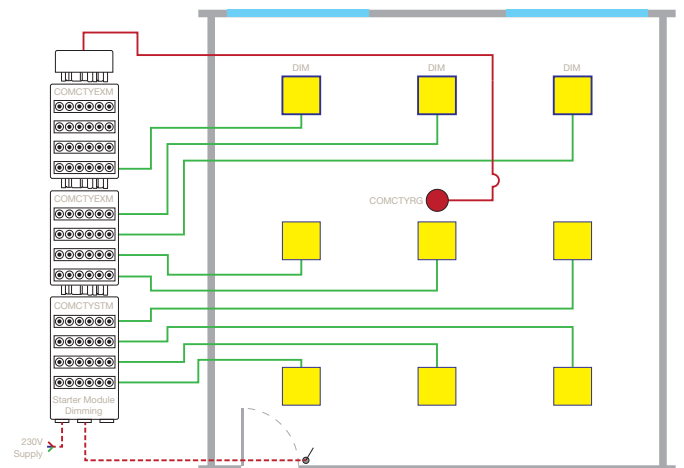


Absence and window row dimming room with COMCTYRC detector

## 9 fitting room



Presence non dimming room with COMCTSRA detector



Absence and window row dimming room with COMCTYRC detector

*Lighting, design, controls:*  
Total Project Solutions

**Rep. Ireland Office**

Fagerhult Ltd  
F1 Calmount Park  
Ballymount, Dublin 12  
Ireland

T +353 (0)1 426 0200  
F +353 (0)1 429 9606  
info@fagerhult.ie  
www.fagerhult.ie

**Middle East Office**

Fagerhult Middle East  
P.O. Box 126287  
Dubai  
United Arab Emirates

T +971 (0)4 3297120  
F +971 (0)4 3297130  
info@fagerhult.ae  
www.fagerhult.ae

**UK Head Office**

Whitecroft Lighting Ltd  
Burlington Street  
Ashton-Under-Lyne  
Lancashire OL7 0AX

T +44 (0)161 330 6811  
F +44 (0)161 331 5855  
email@whitecroflight.com

**London Customer Centre**

Whitecroft Lighting Ltd  
102-108 Clerkenwell Road  
London  
EC1M 5SA

T +44 (0)161 330 6811  
F +44 (0)161 331 5855

**Online**

[whitecroflighting.com](http://whitecroflighting.com)

