

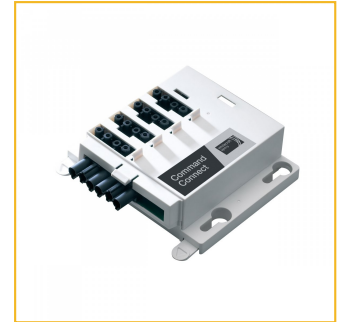
Command Connect Modules

Whitecroft
lighting

Modular connecting distribution system



Command Connect Modules



Extender module



Switching connection module

Overview

- Available in both switching (4 pole) and DALI dimming (6 pole)
- Can be extended from 4 way up to 16 way using extender modules and then scaled down again if required
- Range of detectors for use with modules including absence, presence, PIR and microwave
- Variety of installation options; slab mounting, drop rod mounting, channel nut mounting and BESA box mounting
- Selection of accessories for controlling and programming
- 16A rated system
- Maximum 10A per output
- Maximum rating dependent on detector
- Switching/DALI Dimming modules provide the option of SELV switching where appropriate

NOTE: Plugs and leads are supplied separately to modules. See Command Fast Link product. Modules must be used in conjunction with Command Connect detectors. Any one system can be connected to a maximum of one detector or one connection module.

Body

- Connecting distribution modules for straightforward, flexible and extendable controls connections
- Lightweight, compact and sturdy with a simple 'slot' connecting mechanism

Order codes

Switching (4 pole)

Starter Module	COMCTSSTM
Extender Module	COMCTSEXM
Pre-wired Starter Module*	COMCTSWSTM

DALI Dimming (6 pole)

Starter Module	COMCTYSTM
Extender Module	COMCTYEXM
Pre-wired Starter Module*	COMCTYWSTM

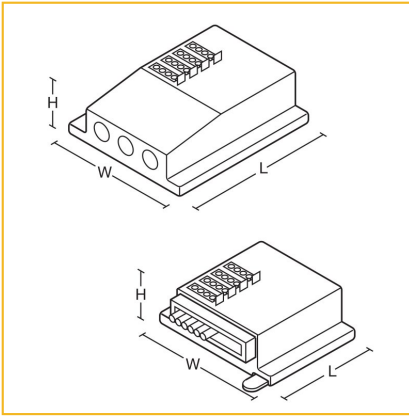
Accessories

Switching Connection Module	COMCTSSM
DALI Dimming Connection Module	COMCTYDM
Starter Rose Kit	COMCTSR

* Pre-wired modules are supplied with Starter Rose Kit, Lead is 1m

Note: Plugs and leads are supplied separately to modules. See Command Fast Link.
Modules must be used in conjunction with Command Connect detectors. Any one system can be connected to a maximum of one detector or one connection module.

Dimensions



VERSION	L	W	H
COMCTSSTM / COMCTYSTM / COMCTSWSTM / COMCTYWSTM	202	146	150*
COMCTSEXM / COMCTYEXM	122	146	150*
COMCTSSM / COMCTYDM	55	146	28

* Height including plugs and cables

To Specify

Connecting distribution modules for controlling switching or DALI dimming luminaires - as Whitecroft Lighting COMMAND CONNECT MODULES