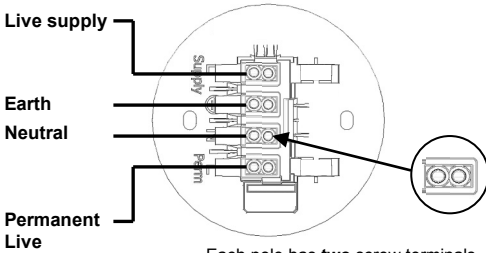


COMCTSR

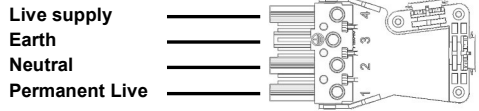
Command Connect - Starter Rose

COMCTSR mains wiring



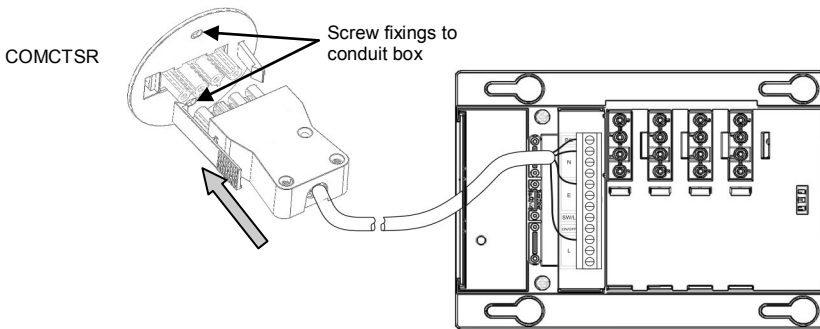
Each pole has **two** screw terminals.
Each terminal accepts 1 x 2.5mm²

COMCTSR connector wiring



Conduit box to COMCTSSTM or COMCTYSTM connection

Use a COMCTSR when there is a need to take power from a conduit box. Plug the connector into the COMCTSR and wire the other end of the lead into the terminals of the COMCTSSTM (illustrated below) or COMCTYSTM. Pre-wired versions are available, COMCTSWSM & COMCTYWSM. See Product Guides for the COMCTSSTM and COMCTYSTM wiring details.



Technical data

Voltage	230VAC +/- 10%
Frequency	50Hz
Terminal capacity	2.5mm ²
Temperature	0°C to 35°C
Power	16A
Compliance	BS 5733:1995



For lighting purposes only with suitable circuit protection. For fixed wiring only.

IMPORTANT NOTICE!

This device should be installed by a qualified electrician in accordance with the latest edition of the IEE wiring regulations.

Whitecroft Lighting Limited

Burlington Street
Ashton-under-Lyne
Lancashire OL7 0AX
United Kingdom
Tel: + 44 (0) 870 5087 087
Fax: + 44 (0) 870 5084 210
www.whitecroftlighting.com
technical@whitecroftlight.com