

Command Connect Directional Microwave Detector

Programmable tilting microwave detector



3m lead and plug for switching detectors (supplied)



3m lead and plug for DALI dimming detectors (supplied)

Overview

- All detectors supplied with 3m lead and plug
- Maximum recommended mounting height 3m
- Detectors to be programmed using a handheld programmer; COMCTHP or COMCTLCDHP (supplied separately)
- Detectors can be controlled using handheld controller COMCTHC (supplied separately)

Switching (4 pole)

COMCTSRE

- Tilting presence/absence
- Powers up to 10A of fluorescent lighting
- Maximum range of 25m (based on 2.6m mounting height)
- Time delay 10s – 99m

DALI Dimming (6 pole)

COMCTYRE

- Tilting presence/absence
 - Powers up to 10A of fluorescent lighting
 - Maximum range of 35m (based on 2.6m mounting height)
 - Controls up to 20 DALI dimming ballasts if relay not enabled or 10 if relay is enabled
 - Time delay 10s – 99m
-

Order codes

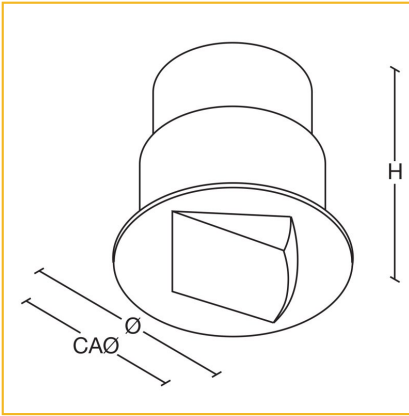
COMCTSRE

Tilting microwave switching presence/absence detector	COMCTSRE
-------------------------------------------------------	----------

COMCTYRE

Tilting microwave DALI dimming presence/absence detector	COMCTYRE
----------------------------------------------------------	----------

Dimensions



VERSION	H	Ø	CAØ
COMCTSRE / COMCTYRE	92	85	74

Detection Pattern - Corridor Mode

