

# Bayon

Architectural continuous or stand alone suspended linear luminaire

Whitecroft  
lighting



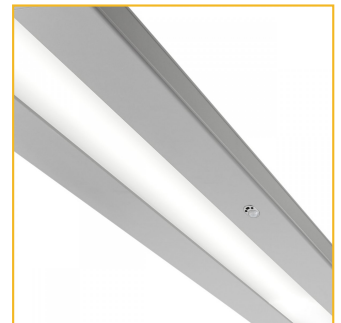
Suspension Kit



With infills



Uplight Feature



Continuous lines of light

## Overview

Bayon combines cutting edge design with the latest LED technology to provide a high performance linear architectural lighting solution with class leading energy consumption.

## Optics

- Low Output (less than 3000 cd/m<sup>2</sup> at 65° elevation)
  - 1200mm\*, 2500 lumens (26W)
  - 1500mm\*, 3300 lumens (32W)
  - 1800mm\*, 4150 lumens (39W)
- High Output
  - 1200mm\*, 5300 lumens (60W)
  - 1500mm\*, 7300 lumens (82W)
  - 1800mm\*, 9500 lumens (105W)
- High and low outputs should not be mixed in any continuous run
- 60% downlight and 40% uplight distribution ratio
- Hexaprism optic for glare control and optimum optical diffusion
- Emergency Output (BLF):
  - All variants - 307 Lumens
- Available with 3000K and 4000K LED

\*Lengths shown are nominal. Please refer to the dimensions section for accurate product dimensions.

## Body

- Slim aluminium body finished in silver or white
- Luminaires available in three nominal lengths in low or high output
- RAL Colour: Silver RAL9006. White RAL9003. Black RAL9005.
- Additional special colours available on request (contact Whitecroft Technical Desk)
- For stand alone or continuous installation
- Continuous mounting bracket supplied with each Start/End or Mid luminaire
- Through wiring as standard on continuous luminaires
- Mounting using architectural wire suspension kit with slim rose detail (up to 3m drop) Available blank or with openings for bringing power in
- Optional integral Command 4 detector mounted centrally into the body for standalone luminaires
- Optional integral COMD1 detector mounted centrally into the body for continuous luminaires
- Optional integral wireless Air Control, a simple, easy to commission lighting control solution, available on high output standalone luminaires
- Die cast aluminium end caps are supplied separately for a continuous system. For Stand Alone luminaires, two end caps are supplied
- 600mm infill available (Start/End row luminaires must be used in continuous run with infills)
- Choice of 3hr Emergency or COMECS emergency options (COMECS can be wired as Easytest if required)

## Order codes

### Low Output Continuous (Start/End Row)

			B50			
Low Output Start/End Row*** (4000K)	DALI	3hr Emergency	LL/CW	L70	L80	L90
1200mm, 2500 lumens, 26W	BYSTY121S	BYSTY121SEM	97	>100k	>100k	62k
1500mm, 3300 lumens, 32W	BYSTY151S	BYSTY151SEM	100	>100k	>100k	62k
1800mm, 4150 lumens, 39W	BYSTY181S	BYSTY181SEM	105	>100k	>100k	62k

\*\*\* Start/End Row luminaires must be used throughout if infills are part of the continuous run

Note: Luminaire codes BYSTY151S and BYSTY181S have 2 drivers and require 2 DALI addresses

### Low Output Continuous (Mid Row)

			B50			
Low Output Mid Row (without infills) (4000K)	DALI	3hr Emergency	LL/CW	L70	L80	L90
1200mm, 2500 lumens, 26W	BYMDY121S	BYMDY121SEM	97	>100k	>100k	62k
1500mm, 3300 lumens, 32W	BYMDY151S	BYMDY151SEM	100	>100k	>100k	62k
1800mm, 4150 lumens, 39W	BYMDY181S	BYMDY181SEM	105	>100k	>100k	62k

Mid Row luminaires must not be used if infills are part of the continuous run

Note: Luminaire codes BYMDY151S and BYMDY181S have 2 drivers and require 2 DALI addresses

## Low Output Stand Alone

				B50		
Low Output Stand Alone (4000K)	DALI	3hr Emergency	LL/CW	L70	L80	L90
1200mm, 2500 lumens, 26W	BYSAY121S	BYSAY121SEM	97	>100k	>100k	62k
1500mm, 3300 lumens, 32W	BYSAY151S	BYSAY151SEM	100	>100k	>100k	62k
1800mm, 4150 lumens, 39W	BYSAY181S	BYSAY181SEM	105	>100k	>100k	62k

Note: Luminaire codes BYSA151S and BYSA181S have 2 drivers and require 2 DALI addresses

## High Output Continuous (Start/End Row)

				B50		
High Output Start/End Row*** (4000K)	DALI	3hr Emergency	LL/CW	L70	L80	L90
1200mm, 5300 lumens, 60W	BYSTY122S	BYSTY122SEM	90	>100k	72k	34k
1500mm, 7300 lumens, 82W	BYSTY152S	BYSTY152SEM	90	>100k	72k	34k
1800mm, 9500 lumens, 105W	BYSTY182S	BYSTY182SEM	91	>100k	72k	34k

\*\*\* Start/End Row luminaires must be used throughout if infills are part of the continuous run  
 Note: Luminaire codes BYSTY152S and BYSTY182S have 2 drivers and require 2 DALI addresses

## High Output Continuous (Mid Row)

				B50		
High Output Mid Row (without infills) (4000K)	DALI	3hr Emergency	LL/CW	L70	L80	L90
1200mm, 5300 lumens, 60W	BYMDY122S	BYMDY122SEM	90	>100k	72k	34k
1500mm, 7300 lumens, 82W	BYMDY152S	BYMDY152SEM	90	>100k	72k	34k
1800mm, 9500 lumens, 105W	BYMDY182S	BYMDY182SEM	91	>100k	72k	34k

Mid Row luminaires must not be used if infills are part of the continuous run  
 Note: Luminaire codes BYMDY152S and BYMDY182S have 2 drivers and require 2 DALI addresses

## High Output Stand Alone

				B50		
High Output Stand Alone (4000K)	DALI	3hr Emergency	LL/CW	L70	L80	L90
1200mm, 5300 lumens, 60W	BYSAY122S	BYSAY122SEM	90	>100k	72k	34k
1500mm, 7300 lumens, 82W	BYSAY152S	BYSAY152SEM	90	>100k	72k	34k
1800mm, 9500 lumens, 105W	BYSAY182S	BYSAY182SEM	91	>100k	72k	34k

Note: Luminaire codes BYSA152S and BYSA182S have 2 drivers and require 2 DALI addresses

## Accessories

End caps (pair) only required for continuous system	BYECS
Wire suspension rose kit for power supply*	BYSUSKITSP
Wire suspension rose kit**	BYSUSKITS
600mm infill***	BYINF600S

## Options

COMD1	Add Q1 before Y	i.e BYSTQ1Y121S
COMEPS	Add suffix /EP	i.e BYSTY121S/EP
COMMAND 4	Add Q4 before Y	i.e BYSTQ4Y121S
AIR CONTROL	Add AC before Y	i.e. BYSTACY121S
White Finish	Replace S with W	i.e BYSTY121W

\* One required per start of continuous run or Stand Alone luminaire. To be located at one end for power to be fed through

\*\* Two suspension kits required per luminaire. 600mm infills do not require a suspension kit

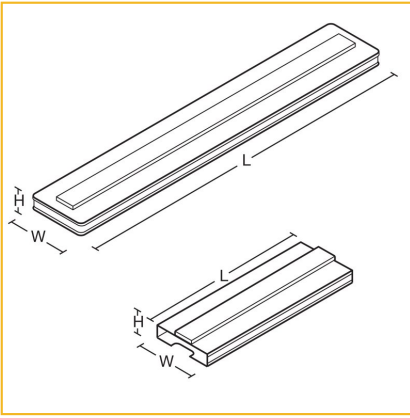
\*\*\* Start/End Row luminaires must be used throughout if infills are part of the continuous run

For 3000K colour temperature, please contact Whitecroft

## LED Performance

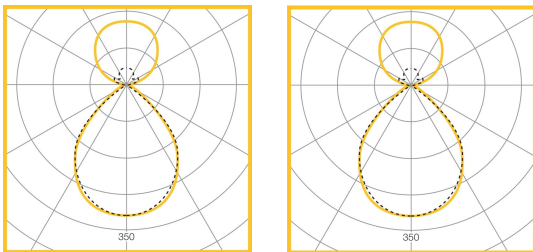
Colour Temp	RA (CRI)	Colour consistency
4000K	>80	MacAdam 3 SDCM

## Dimensions



VERSION	L	W	H	KG	KG(EM)
Start/End or Mid Row, 1200mm	1124	200	51	5.4	6
Start/End or Mid Row, 1500mm	1406	200	51	6.8	7.4
Start/End or Mid Row, 1800mm	1686	200	51	8.1	8.7
Stand Alone, 1200mm	1214	200	51	5.8	6.4
Stand Alone, 1500mm	1496	200	51	7.2	7.8
Stand Alone, 1800mm	1776	200	51	8.5	9.1
Infill	600	200	51	2.3	

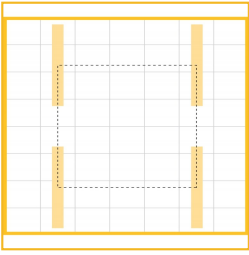
## Photometric Performance



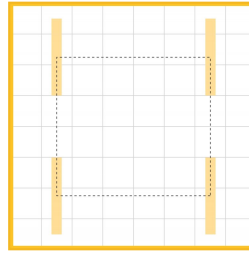
4000K Stand  
 Alone, High  
 Output 1200mm  
 60W LED 5300  
 Lumens  
 LOR = 100.0%  
 SHR MAX = 1.50

4000K Stand  
 Alone, Low Output  
 1200mm 26W  
 LED 2500 Lumens  
 LOR = 100.0%  
 SHR MAX = 1.50

# Performance Guide



Lamps	39W LED
Illuminance	503 lux
Spacing	2.4m x 2.7m
Maintenance	0.8
Reflectance	70/50/20
Ceiling Height	3.3m
Working plane	0.8m
Mounting Height	2.7m



Lamps	32W LED
Illuminance	317 lux
Spacing	3.0m x 2.7m
Maintenance	0.8
Reflectance	70/50/20
Ceiling Height	3.3m
Working plane	0.8m
Mounting Height	2.7m

## To Specify

Suspended architectural LED luminaire with direct: indirect lighting ratio of 60:40. Advanced Hexaprism optic providing glare control and maximum diffusion. For continuous or stand alone configuration. Luminaires can be connected continually without infills for a seamless aesthetic – as Whitecroft Lighting BAYON