

Aerial LED

Suspended high or low bay luminaire

Whitecroft
lighting

120+
LL/CW



IP40

LED

ECA



Command 9 Sensor

Overview

The Aerial LED range is the universal solution for any large area lighting project. Whether in Industry, Warehousing or Retail, Aerial LED delivers low energy, high comfort lighting with minimal through life maintenance.

Optics



- 36,565 - 50,469 lumens, 266 - 386W
- 4000K 'cool' white LEDs
- Ra80 colour rendering index
- Emergency Output (BLF):
 - All Outputs - 565 Lumens
- Quadraprism diffuser for all round glare control, maximum diffusion and high efficiency

Body

- Aluminium body finished white RAL 9016
- 4 suspension points for wire or chain suspension (supplied separately)
- Optional wire suspension kit with up to 6m drop
- Recommended for mounting heights between 10m and 20m
- Alternative mounting kit available for surface, trunking, chain or drop rod mounting (supplied separately)
- Light chamber and front face IP40, gear chamber and rear face IP20
- DALI drivers as standard
- Command 9 integrated lighting controls option - end fixed IP65 occupancy and daylight regulating sensor with wireless grouping and control (requires 1 programming dongle for Android smart phone per project)
- Aerial LED ambient operating temperature range:
 - -20°C up to +40°C
 - Emergency and 50,500 lumen to +30°C
- Many other products are available in the Aerial range. Use search terms Aerial Twin, Aerial Industry, Aerial Twin 65 and Aerial Sport on the Whitecroft website

Order codes

Aerial LED

				B50		
Aerial LED	DALI	3 hr Emergency	LL/CW	L70	L80	L90
36,565 lumen (266W)	AELMY44K	-	 137	97k	61k	30k
50,469 lumen (386W)	AELMY54K	AELMY54KEM	 131	>100k	84k	37k

Note: This luminaire has 3 drivers and requires 3 DALI addresses

Accessories

Suspension Kit	AERSK1
Alternative mounting kit	AERLTRU
COMMAND 9 SMART PHONE DONGLE	COM9DG

Options

COMEPS Emergency ***	Add Suffix 'EP'	i.e AELMY54KEP
COMMAND 9 *	Change 'Y' to 'Q9WY'	i.e. AELMQ9WY44K

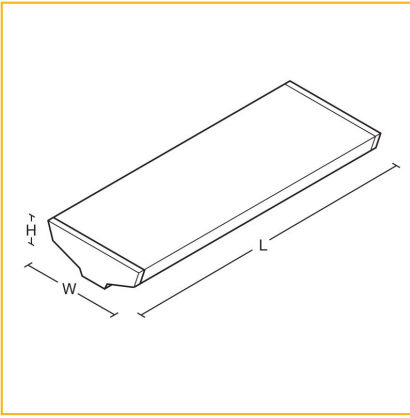
*** COMEPS on 50,500 lumen version only. For 36,000 lumen with emergency, see Aerial Twin

* requires 1 programming dongle for Android smart phone per project

LED Performance

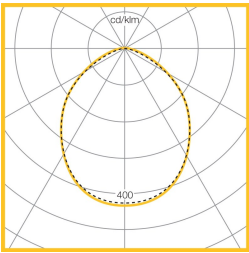
Colour Temp	RA (CRI)	Colour consistency
4000K	>80	MacAdam 3 SDCM

Dimensions



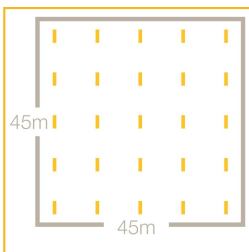
L	W	H	KG	KG(EM)
1418	354	113	14	15

Photometric Performance

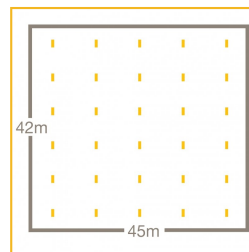


36,565 Lumen
266W
LOR = 100.0%
SHR MAX = 1.52

Performance Guide



Lamps	4000K LED, 36.6 klm
Illuminance	300 lux
Spacing	9.0m x 9.0m
Maintenance	0.8
Reflectance	70/50/20
Ceiling Height	15.0m
Working plane	0.8m



Lamps	4000K LED, 50.5 klm
Illuminance	517 lux
Spacing	9 x 7m
Maintenance	0.8
Reflectance	70/50/20%
Ceiling Height	15m
Working plane	0.8m
Suspension	0m

To Specify

Suspended LED high output luminaire with quadraprism optic. Suitable for low or high bay application. Four suspension points – as Whitecroft Lighting AERIAL LED.

Application images

