

ACLN

Surface mounted linear LED luminaire for Zone 2 and 22 hazardous areas

Whitecroft
lighting

100+
LL/CW



IK08

IP66



Optics

- 2100 to 5227 lumens (20 to 45W)
- 330 emergency lumen output
- 4000K, Ra80 LED
- 50,000 hour life to L80
- Wide distribution pattern
- Explosion proof suitable for Zone 2 and 22 hazardous areas

Body

- IP66, IK08 rated
- Suitable for hazardous areas ATEX Zones 2 and 22
- 'Ex' marked
- Yellow GRP body with stainless steel clips
- Polycarbonate diffuser
- Surface mounted using supplied stainless steel fixing springs
- 3 hour integral emergency option
- Fixed output LED driver
- Polymide M20 ATEX hazardous area cable gland supplied
- Not suitable for exposed outdoor use
- Suitable for ambient temperatures:
 - Standard -20 to +40°C
 - Emergency 0 to +30°C

Order codes

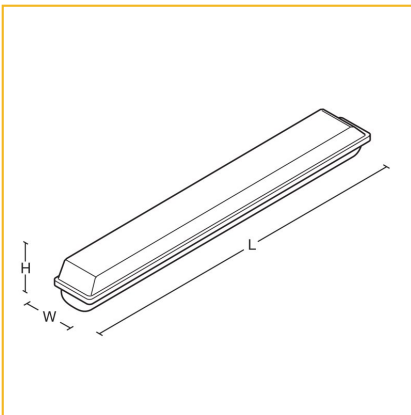
ACLN

Version	Fixed Output	3hr Emergency	LL/CW	B50		
				L70	L80	L90
665mm long, 2100 lumen, 20W	ACLN2H14K	N/A	105	75,000	50,000	25,000
1282mm long, 4200 lumen, 40W	ACLN2H24K	ACLN2H24KEM	105	75,000	50,000	25,000
1578mm long, 5227 lumen, 45W	ACLN2H34K	ACLN2H34KEM	116	75,000	50,000	25,000

LED Performance

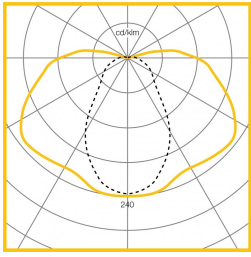
Colour Temp	RA (CRI)	Colour consistency
4000K	80	MacAdam 3 SDCM

Dimensions



VERSION	L	W	H	KG	KG(EM)	FC
2100 lumen	665	145	101	2.0	N/A	390
4200 lumen	1282	145	101	3.3	4.5	800
5227 lumen	1578	145	101	3.6	4.8	1100

Photometric Performance



5227 lumen, 45W
LOR = 100%
SHR MAX = 1.6

To Specify

IP66 anti-corrosive luminaire for ATEX Zones 2 and 22 hazardous areas. With yellow GRP housing and polycarbonate diffuser - as Whitecroft Lighting ACLN
