



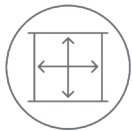
Flexiwall®

industrial partitioning



Flexiwall is a unique semi-permanent floor to ceiling partition wall that offers multiple benefits over traditional partitioning methods and is particularly effective in tall buildings.

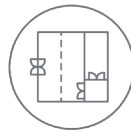
Manufactured from a light-weight fire rated material, Flexiwall is quicker and cleaner to install and can even be reconfigured, removed or relocated should business needs evolve.



Floor-to-ceiling; any height and length



No mess quick/easy installation



Minimal floor space required



Fire rated material options



Easily remove or relocate

FEATURES & BENEFITS

FEATURES	BENEFITS
Light weight material can be manufactured to any height and length (subject to survey)	<ul style="list-style-type: none"> No restrictions to where the solution can be used Install on mezzanine floors with no concerns for additional weight loading
Easily fits around existing penetrations	<ul style="list-style-type: none"> Reduced project costs as no need to relocate services Creates an over 99% dust tight seal
Takes up only 50mm of floor space once installed	<ul style="list-style-type: none"> Can be installed between racking Maximises available floor space when creating new areas within existing space
Panels joined with unique v-overlap system	<ul style="list-style-type: none"> Creates an over 99% dust tight seal Panels can be easily replaced in sections
Fire rated materials	<ul style="list-style-type: none"> Create fire rated partition walls that fulfil both health and safety and insurance requirements
Translucent material options available	<ul style="list-style-type: none"> Reduce costs associated with new lighting requirements as material allows natural light transit
Incorporate brand colours and logos	<ul style="list-style-type: none"> Improves the environment for employees and visitors
Quick and clean to install	<ul style="list-style-type: none"> Reduced impact on existing production and operation schedules
Easily reconfigure, remove or relocate walls without damage	<ul style="list-style-type: none"> Adapt to unforeseen or unpredictable future business changes Works well in rented premises



Flexiwall®

industrial partitioning



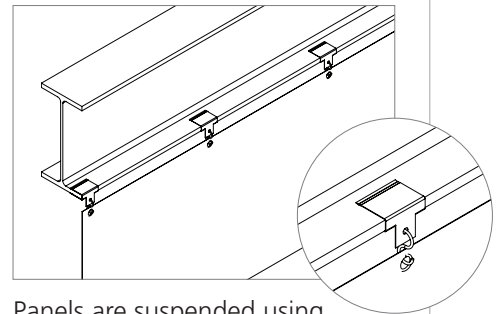
Flexiwall can be easily designed to fit any size and shape of building and easily installs around existing ducts and pipework. Also available for external applications. Bespoke solutions are designed and installed by our experienced Westgate team.



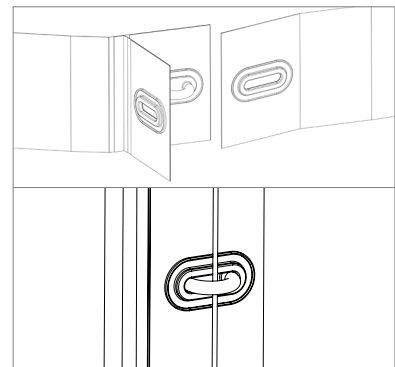
TECHNICAL SPECIFICATIONS

Material composite	Choice of woven glass fabric or polyester base and a range of PVC, rubber or silicon coatings (*range of base fabric and coatings depending on your requirements)
Material weight	between 175gsm-1000gsm
Tensile strength	between 340N-4800N / 50mm
Tear strength	between 20N-400N
Material fire rating examples	BS5867/2:2008, BS5438:1989, LPS1207, LPS1215 (*subject to material specification, all fire ratings supplied at quote stage)
Operating temperature	between -25 / +70 degree centigrade

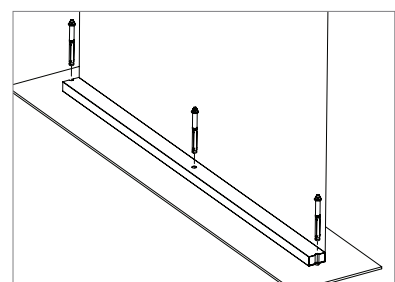
INSTALLATION PROCESS



Panels are suspended using existing steelwork clips and s-hooks



Panels are joined together using our unique v-overlap system



Panels are tensioned and secured using battens fixed to the floor

WE HAVE CREATED CUSTOMISED SOLUTIONS FOR MANY INCLUDING...



This fact sheet is for illustrative purposes only and based on the latest information at the time of print. Installation methods may vary depending on specific project requirements. Westgate reserve the right to make changes at any time without notice.

westgateuk.co.uk +44 (0)1785 242181 salesteam@westgateuk.co.uk

J188-WG-PFS-FW-091118. © Westgate Group

