



WATERLOO

A Swegon Group Company

Plain Face Adjustable Circular Diffusers

RWV Circular supply diffuser with plain face-plate

RWV-R Circular return diffuser with plain face-plate



Plain Face Adjustable Circular Diffusers

RWV

Introduction

The Waterloo Plain Face Circular Diffuser type RWV has a solid circular face providing a 360° air pattern with excellent air induction characteristics. This all aluminium diffuser is fully adjustable for horizontal and vertical discharge patterns.

With their high induction ratios these diffusers ensure rapid primary and secondary air mixing with low noise levels.

The diffusers are available with zintec steel plenums with the option of thermal insulation lining on supply plenums.

Product Description

- RWV** Circular supply diffuser with plain face-plate
- RWV-R** Circular return diffuser with plain face-plate
- UKDV** Supply air plenum
- UKDVI** Insulated supply air plenum
- UKRV** Return air plenum
- UKRVI** Insulated return air plenum
- RW - FIX** Plasterboard fixing

Features

- Supply and exhaust applications for heating, cooling and isothermal conditions
- Excellent induction characteristics
- Variety of air patterns
- Suitable for modular ceiling systems

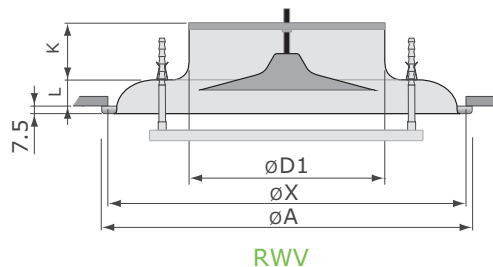
Finishes

PPM9010 (RAL 9010 Matt - 20% Gloss White)
Other colours available on request

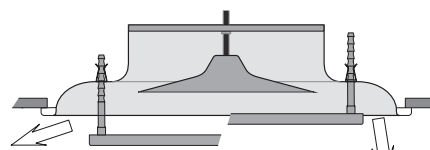
Advantages

- Excellent aerodynamic performance
- Suitable for exposed ceilings
- Short throw

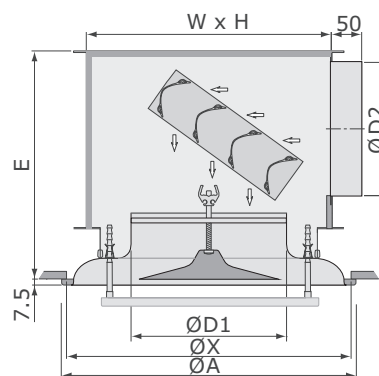
Nom Size Ø D1	W x H	Ø D2	Ø A overall	Ø X aperture	E	K	L
100	210x210	100	190	175	205	55	12.5
125	210x210	125	230	215	215	60	20.0
160	310x310	160	270	255	295	65	27.5
200	310x310	200	370	345	295	70	27.5
250	410x410	250	470	440	365	75	35.0
315	510x510	315	570	535	435	90	35.0



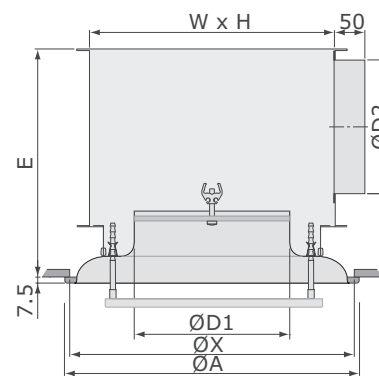
RWV



Horizontal Jet (Lowered Face Plate) Vertical Jet (Raised Face Plate)



RWV + UKDVI



RWV-R + UKRV

ORDER EXAMPLE

RWV-160/RW-FIX/9010-Gloss/UKDV

Type _____
 Fixing _____
 Finish _____
 Plenum Type _____

Plain Face Adjustable Circular Diffusers

RWV

Selection Criteria

Ceiling Height 2.7m
 Temperature Differential -11K
 Average room velocity V_r 0.15m/s
 Noise level is based on diffuser sound power level less 8dB room absorption.
 All selections include the plenum

Selection Example RWV-200

(Horizontal throw)
 Air Volume 139 l/s
 Throw 3.6 m
 Pressure Drop 28 Pa
 Noise Level 35 dBA

Performance Table

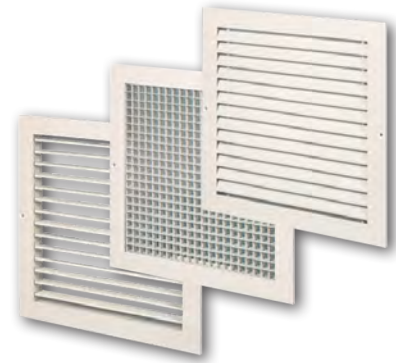
RWV		Horizontal						Vertical						Exhaust							
m ³ /h	l/s	100 Dia	125 Dia	160 Dia	200 Dia	250 Dia	315 Dia	100 Dia	125 Dia	160 Dia	200 Dia	250 Dia	315 Dia	100 Dia	125 Dia	160 Dia	200 Dia	250 Dia	315 Dia		
50	14	T	0.7					1.2													
		P _s	6						20						4						
		L _w	-						-						-						
75	21	T	1.2					1.8													
		P _s	12						44						10						
		L _w	-						25						-						
100	28	T	1.6	1.3				2.7	2.0												
		P _s	20	7					80	40					17	5					
		L _w	26	-					31	-					-	-					
125	35	T	2.1	1.5	1.4			3.8	3.0	2.0											
		P _s	31	11	4				125	60	16				26	9					
		L _w	33	-	-				37	27	-				29	-					
150	42	T	2.5	1.7	1.6			3.9	2.6												
		P _s	42	16	6				90	24					33	13	4				
		L _w	37	25	-				31	-					35	-	-				
200	56	T		2.1	2.0	1.4			5.2	3.7	2.9										
		P _s		28	11	5				150	42	20				23	9				
		L _w		32	-	-				37	27	-				30	-				
250	69	T			2.3	1.8				5.0	4.0										
		P _s			16	8					65	32				39	14	7			
		L _w			-	-					31	25				45	-	-			
300	83	T			2.7	2.2	1.8			6.4	5.2	4.6									
		P _s			23	11	8				90	46	22				52	20	10		
		L _w			30	-	-				36	28	-				42	27	-		
400	111	T				2.9	2.2				7.8	6.7									
		P _s				18	14				81	39					33	16	11		
		L _w				27	-				33	27					39	26	-		
500	139	T				3.6	2.5	2.2			10.0	9.5	7.6								
		P _s				28	21	8				127	61	24				24	18	6	
		L _w				35	25	-				39	32	24				32	-	-	
600	167	T				4.3	2.9	2.7				12.0	10.0								
		P _s				40	30	18					87	35				34	26	14	
		L _w				38	31	-					37	27				37	33	-	
750	208	T					3.5	3.3				14.0	12.0								
		P _s					45	26					136	54					40	21	
		L _w					39	30					41	32					39	30	
1000	278	T					4.0						14.0								
		P _s					47							96						31	
		L _w					39							38						37	
1250	346	T					4.7														
		P _s					70														
		L _w					45														



Waterloo Product Range

GRILLES

A complete range of products suitable for all wall, ceiling and floor applications. Most grilles are made from aluminium and have a range of fixed or moveable blades designed to give performance whilst remaining aesthetically pleasing to the eye. Grilles are made to customer specified sizes and colours (PPM/G); standard colour PPM9010 (20% Gloss White). The range is complemented by the Aircell range of polymer Grilles.



DIFFUSERS

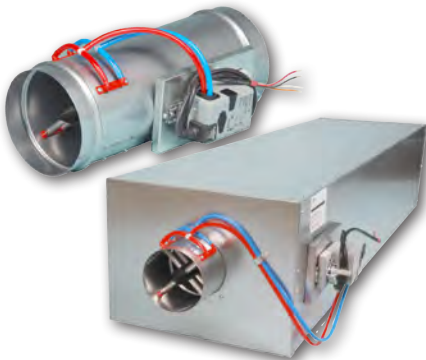
Designed to be installed in various ceiling systems, we have a complete range to suit both performance and aesthetical requirements. Most diffusers are made from aluminium and can be ordered with or without plenum boxes for easy duct work. Diffusers can be ordered in customer specified colours (PPM/G); standard colour is PPM 9010 (20% Gloss White). This range is complemented by the Aircell range of polymer Diffusers.



ACTIVE AND PASSIVE CHILLED BEAMS

The finest quality range of high output active beams, used for ventilated heating and cooling applications. These units have 4 pipe coils to allow heating and cooling circuits to run simultaneously, giving constant and responsive control. The design allows a large optimum capacity and also allows the customer to specify the nozzle type and pitch for individual circumstances.

Active beams are made from steel to a large range of customer specified sizes and as such are suitable for various different ceiling systems. Standard finish is PPM 9010, however other (PPM/G) colours are available on request.



AIR VOLUME CONTROL DAMPERS

Pressure independent Variable Air Volume and Constant Air Volume dampers made from zintec plate. Most volume dampers are regulated with an electronic motor and sensors and are calibrated to customer specifications before delivery.

The Constant Air Volume damper requires no power source as it is controlled via a mechanical device and calibrated before delivery. All volume dampers can be ordered with a single or double (insulation) skin.

EXTERNAL LOUVRES

A quality range of products for external wall applications. Made from aluminium, with birdscreen or insect screen options. All louvres are made to customer specified sizes and (PPM/G) colours; standard colour is PPM 9006.



DISPLACEMENT

A full range of recessed, semi-recessed, floor, wall and corner units providing high ventilation efficiency and excellent comfort. The very low pressure involved also offer quiet installations. Displacement units are available as wall or floor mounted, or indeed integrated within the architectural design.



Waterloo Air Products Ltd

Head Office:

Mills Road, Aylesford,
Maidstone, Kent ME20 7NB
Tel: +44 (0)1622 711500
Fax: +44 (0)1622 710648
email: sales@waterloo.co.uk
internet: www.waterloo.co.uk

Northern Office:

Hyde Park House, Cartwright Street,
Newton, Hyde SK14 4EH
Tel: +44 (0)161 367 1264
Fax: +44 (0)161 367 1262
email: sales@waterloo.co.uk
internet: www.waterloo.co.uk



FM 27823



EMS 590755

All products conform to the Terms and Conditions of Waterloo Air Products Ltd a copy of which are available upon request. Due to our continuous research and development programme, Waterloo Air Products Ltd reserve the right to alter products and prices without prior notification.

Copyright Waterloo Air Products Ltd 2019

Waterloo declare that, at the time of print, all products are in accordance with relevant directives, as identified by HEVAC and other European Organisations and will display the CE Marking where required.