

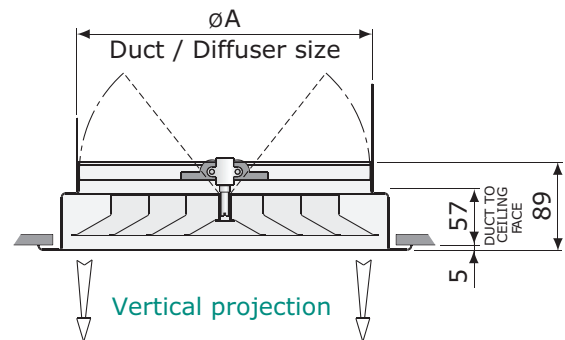
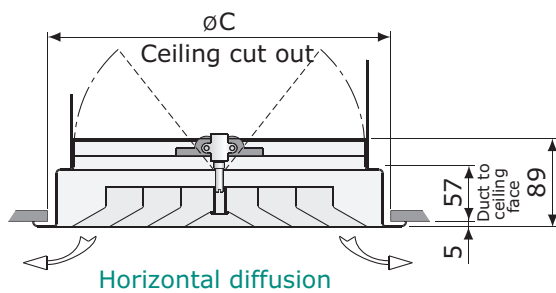


Operation and Maintenance Instructions

MC

Introduction

The Waterloo MC diffuser has been designed for both supply and exhaust applications requiring compact circular diffusers; unlike conventional high aspiration diffusers the MC has a small overall to neck size ratio. The diffusers are adjustable to produce horizontal or vertical air patterns.

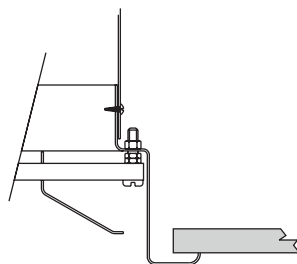


Dimensions

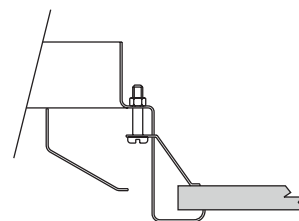
Diffuser & Duct Size $\varnothing A$	Overall Diameter $\varnothing B$	Ceiling Opening $\varnothing C$
150	228	203
200	305	280
300	381	356
450	533	508

Installation

MC diffusers are normally installed onto supply ducts using standard on blind fixing methods as illustrated. Note: that the core can be removed to improve access for installation.



Standard
Screw through duct



Special Blind fixing
Specify when ordering

Maintenance

To clean, use warm soapy water and a damp cloth. Wipe down the internal and external surfaces and leave to dry.