



waterloo

Waterloo technical note

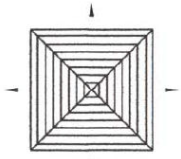
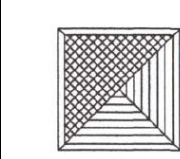
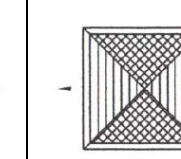
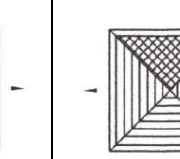
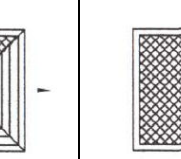
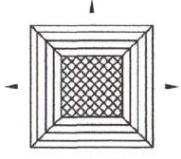
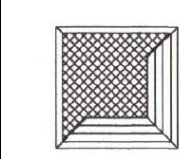
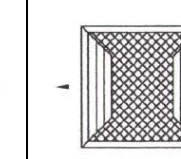
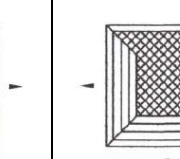
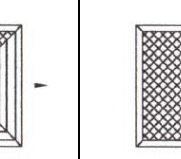
D Type blanking

D-Type blanking

1. General

Waterloo D-Type diffusers may have blanking plates fitted to modify their performance.

2. Designation of blanking

4 way throw	2 way corner throw	2 way opposite throw	3 way throw	1 way throw
 <p>Unblanked</p>	 <p>Blank type C</p>	 <p>Blank type D</p>	 <p>Blank type E</p>	 <p>Blank type F</p>
 <p>Blank type B</p>	 <p>Blank type G</p>	 <p>Blank type H</p>	 <p>Blank type J</p>	 <p>Blank type K</p>

3. Index

Page 2 onwards: DF Core 41 for 375 x 375 neck – o/a 525 x 525

Page 8 onwards: DF Core 41 for 450 x 450 neck – o/a 600 x 600

Page 13 onwards: DF Core 41 for 525 x 525 neck – o/a 675 x 675

4. Units

In the following pages these units are used:

Neck vel = neck velocity, measured in metres / second (m/s)

Pressure measured in pascals

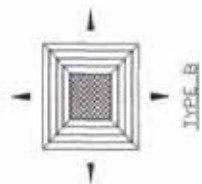
Volume measured in litres / second (l/s)

Nc Level measured in dBA

Min Rad = minimum radius of diffusion, measured in metres (m)

Max Rad = maximum radius of diffusion, measured in metres (m)

DF Core 41 For 375 x 375 Neck - o/a 525 x 525
Tegular 8mm & 16mm Drop 375 x 375 Neck - o/a 500 x 500
DE Core 41 For 375 x 375 Neck - o/a 450 x 450



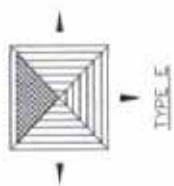
	UNBLANKED				
	1.0	1.5	2.0	2.5	3.0
Neck Vel	5	9	15	23	33
Pressure	141	211	281	352	422
Nc Level	<20	<20	24	29	33
Min Rad	1.6	2.0	2.0	2.5	3.5
Max Rad	2.8	3.5	4.5	5.5	6.5

	BLANK B 300 x 300				
	1.0	1.5	2.0	2.5	3.0
Neck Vel	5	9	15	23	33
Pressure	51	76	101	127	152
Nc Level	<20	<20	<20	<20	23
Min Rad	0.7	1.0	1.5	2.0	2.0
Max Rad	1.6	2.0	2.5	3.5	4.0

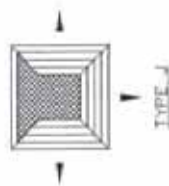
	BLANK B 150 x 150				
	1.0	1.5	2.0	2.5	3.0
Neck Vel	5	9	15	23	33
Pressure	118	177	236	295	354
Nc Level	<20	<20	22	27	31
Min Rad	1.5	1.7	2.0	2.2	3.0
Max Rad	2.4	3.0	4.0	5.0	5.7

	BLANK B 225 x 225				
	1.0	1.5	2.0	2.5	3.0
Neck Vel	5	9	15	23	33
Pressure	90	135	180	225	270
Nc Level	<20	<20	20	25	29
Min Rad	1.1	1.5	2.0	2.0	2.5
Max Rad	1.9	2.5	3.5	4.5	5.5

DF Core 41 For 375 x 375 Neck - o/a 525 x 525
Regular 8mm & 16mm Drop 375 x 375 Neck - o/a 500 x 500
DE Core 41 For 375 x 375 Neck - o/a 450 x 450



	BLANK E				
	1.0	1.5	2.0	2.5	3.0
Neck Vel	1.0	1.5	2.0	2.5	3.0
Pressure	5	9	15	23	33
Volume	105	158	211	264	316
No Level	< 20	< 20	24	28	33
Min Rad	1.6	2.0	2.2	2.8	3.5
Max Rad	2.8	3.5	4.5	5.5	6.6

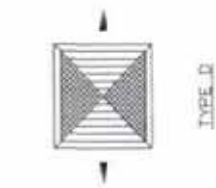


	BLANK J 150 x 150				
	1.0	1.5	2.0	2.5	3.0
Neck Vel	1.0	1.5	2.0	2.5	3.0
Pressure	5	9	15	23	33
Volume	89	133	177	221	266
No Level	< 20	< 20	23	28	31
Min Rad	1.3	1.7	2.0	2.4	3.0
Max Rad	2.5	3.0	3.8	4.7	5.5

	BLANK J 300 x 300				
	1.0	1.5	2.0	2.5	3.0
Neck Vel	1.0	1.5	2.0	2.5	3.0
Pressure	5	9	15	23	33
Volume	38	57	76	95	114
No Level	< 20	< 20	< 20	24	28
Min Rad	0.7	1.0	1.6	2.0	2.3
Max Rad	1.6	2.2	3.0	3.7	4.7

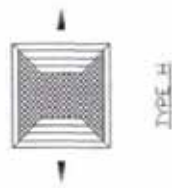
	BLANK J 225 x 225				
	1.0	1.5	2.0	2.5	3.0
Neck Vel	1.0	1.5	2.0	2.5	3.0
Pressure	5	9	15	23	33
Volume	68	101	135	169	203
No Level	< 20	< 20	21	26	30
Min Rad	1.0	1.4	1.8	2.2	2.7
Max Rad	2.0	2.6	3.4	4.2	5.1

DF Core 41 For 375 x 375 Neck - o/a 525 x 525
Tegular 8mm & 16mm Drop 375 x 375 Neck - o/a 500 x 500
DE Core 41 For 375 x 375 Neck - o/a 450 x 450



	BLANK D				
	1.0	1.5	2.0	2.5	3.0
Neck Vel	1.0	1.5	2.0	2.5	3.0
Pressure	5	9	15	23	33
Volume	70	105	141	176	211
Nc Level	< 20	< 20	22	27	31
Min Rad	1.2	1.7	2.3	2.7	3.0
Max Rad	2.1	3.0	4.2	5.5	6.5

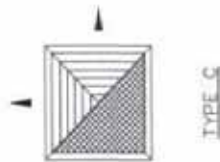
	BLANK H 300 x 300				
	1.0	1.5	2.0	2.5	3.0
Neck Vel	1.0	1.5	2.0	2.5	3.0
Pressure	5	9	15	23	33
Volume	25	38	51	63	76
Nc Level	< 20	< 20	< 20	20	24
Min Rad	0.7	1.0	1.1	1.5	2.0
Max Rad	1.5	2.0	2.5	3.0	3.5



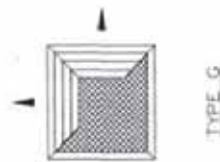
	BLANK H 150 x 150				
	1.0	1.5	2.0	2.5	3.0
Neck Vel	1.0	1.5	2.0	2.5	3.0
Pressure	5	9	15	23	33
Volume	59	89	118	148	177
Nc Level	< 20	< 20	< 20	24	28
Min Rad	1.0	1.5	1.8	2.3	2.6
Max Rad	1.9	2.4	3.4	4.7	5.1

	BLANK H 225 x 225				
	1.0	1.5	2.0	2.5	3.0
Neck Vel	1.0	1.5	2.0	2.5	3.0
Pressure	5	9	15	23	33
Volume	45	68	90	113	135
Nc Level	< 20	< 20	< 20	22	26
Min Rad	0.8	1.2	1.5	1.9	2.3
Max Rad	1.8	2.2	3.0	3.9	4.0

DF Core 41 For 375 x 375 Neck - o/a 525 x 525
Tegular 8mm & 16mm Drop 375 x 375 Neck - o/a 500 x 500
DE Core 41 For 375 x 375 Neck - o/a 450 x 450



	BLANK C				
	1.0	1.5	2.0	2.5	3.0
Neck Vel	5	9	15	23	33
Pressure	70	105	141	176	211
Volume	<20	<20	22	27	31
No Level	1.2	1.7	2.3	2.7	3.0
Min Rad	2.1	3.0	4.2	5.5	6.5



	BLANK G 150 x 150				
	1.0	1.5	2.0	2.5	3.0
Neck Vel	5	9	15	23	33
Pressure	59	89	118	148	177
Volume	<20	<20	<20	24	28
No Level	1.0	1.5	1.8	2.3	2.6
Min Rad	1.9	2.4	3.4	4.7	5.1

	BLANK G 300 x 300				
	1.0	1.5	2.0	2.5	3.0
Neck Vel	5	9	15	23	33
Pressure	25	38	51	63	76
Volume	<20	<20	<20	20	24
No Level	0.7	1.0	1.1	1.5	2.0
Min Rad	1.5	2.0	2.5	3.0	3.5

	BLANK G 225 x 225				
	1.0	1.5	2.0	2.5	3.0
Neck Vel	5	9	15	23	33
Pressure	45	68	90	113	135
Volume	<20	<20	<20	22	26
No Level	0.8	1.2	1.5	1.9	2.3
Min Rad	1.8	2.2	3.0	3.9	4.0

DF Core 41 For 375 x 375 Neck - o/a 525 x 525
Tegular 8mm & 16mm Drop 375 x 375 Neck - o/a 500 x 500
DE Core 41 For 375 x 375 Neck - o/a 450 x 450



TYPE F

	BLANK F				
	1.0	1.5	2.0	2.5	3.0
Neck Vel	5	9	15	23	33
Pressure	35	53	70	88	105
Ne Level	< 20	< 20	< 20	24	27
Min Rad	1.4	1.9	2.4	3.3	3.8
Max Rad	2.8	3.9	5.3	6.2	7.6



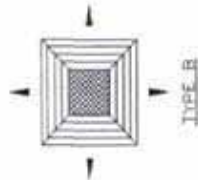
TYPE K

	BLANK K 150 x 150				
	1.0	1.5	2.0	2.5	3.0
Neck Vel	5	9	15	23	33
Pressure	30	44	59	74	89
Ne Level	< 20	< 20	< 20	22	26
Min Rad	1.2	1.7	2.2	2.8	3.2
Max Rad	2.3	3.2	4.4	5.4	6.5

	BLANK K 225 x 225				
	1.0	1.5	2.0	2.5	3.0
Neck Vel	5	9	15	23	33
Pressure	23	34	45	56	68
Ne Level	< 20	< 20	< 20	20	24
Min Rad	1.1	1.5	2.0	2.2	2.5
Max Rad	1.7	2.5	3.5	4.5	5.5

	BLANK K 300 x 300					
	1.0	1.5	2.0	2.5	3.0	3.0
Neck Vel	5	9	15	23	33	33
Pressure	13	19	25	32	38	38
Ne Level	< 20	< 20	< 20	< 20	< 20	20
Min Rad	0.7	1.0	1.6	1.8	2.2	2.2
Max Rad	1.0	2.1	3.0	3.5	4.0	4.0

DF Core 41 For 450 x 450 Neck - o/a 600 x 600
Regular 8mm & 16mm Drop 450 x 450 Neck - o/a 600 x 600
DE Core 41 For 450 x 450 Neck - o/a 525 x 525



	UNBLANKED					
	1.0	1.5	2.0	2.5	3.0	3.0
Neck Vel	5	9	15	23	33	33
Pressure	203	304	405	506	608	608
Volume	< 20	22	28	33	36	36
Nc Level	1.7	2.0	2.5	3.5	4.0	4.0
Min Rad	3.4	4.0	5.0	6.5	8.0	8.0

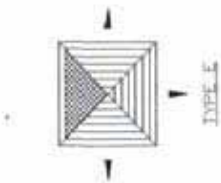
	BLANK B 300 x 300					
	1.0	1.5	2.0	2.5	3.0	3.0
Neck Vel	5	9	15	23	33	33
Pressure	113	169	225	281	338	338
Volume	< 20	< 20	21	27	31	31
Nc Level	1.5	1.7	2.0	2.2	2.8	2.8
Min Rad	2.0	2.8	3.8	4.8	5.5	5.5

	BLANK B 150 x 150					
	1.0	1.5	2.0	2.5	3.0	3.0
Neck Vel	5	9	15	23	33	33
Pressure	180	270	360	450	540	540
Volume	< 20	20	27	32	35	35
Nc Level	1.6	2.0	2.4	3.3	3.9	3.9
Min Rad	3.3	3.9	4.9	6.3	7.6	7.6

	BLANK B 375 x 375					
	1.0	1.5	2.0	2.5	3.0	3.0
Neck Vel	5	9	15	23	33	33
Pressure	62	93	124	155	186	186
Volume	< 20	< 20	< 20	21	25	25
Nc Level	0.9	1.2	1.7	2.0	2.2	2.2
Min Rad	1.7	2.2	2.8	3.8	4.5	4.5

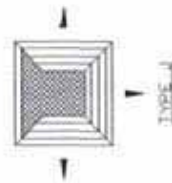
	BLANK B 225 x 225					
	1.0	1.5	2.0	2.5	3.0	3.0
Neck Vel	5	9	15	23	33	33
Pressure	152	228	304	380	456	456
Volume	< 20	< 20	25	30	34	34
Nc Level	1.5	1.7	2.2	2.7	3.7	3.7
Min Rad	2.9	3.7	4.7	5.7	6.8	6.8

DF Core 41 For 450 x 450 Neck - o/a 600 x 600
Tegular 8mm & 16mm Drop 450 x 450 Neck - o/a 600 x 600
DE Core 41 For 450 x 450 Neck - o/a 525 x 525



	BLANK E				
Neck Vel	1.0	1.5	2.0	2.5	3.0
Pressure	5	9	15	23	33
Volume	152	228	304	380	456
No Level	< 20	21	26	31	34
Min Rad	2.2	2.5	2.7	3.3	4.0
Max Rad	3.7	4.5	5.5	7.0	8.1

	BLANK J 300 x 300				
Neck Vel	1.0	1.5	2.0	2.5	3.0
Pressure	5	9	15	23	33
Volume	84	127	169	211	253
No Level	< 20	< 20	22	26	28
Min Rad	1.2	1.5	1.9	2.3	2.5
Max Rad	2.2	2.8	3.4	4.0	4.4



	BLANK J 150 x 150				
Neck Vel	1.0	1.5	2.0	2.5	3.0
Pressure	5	9	15	23	33
Volume	135	203	270	338	405
No Level	< 20	< 20	24	29	33
Min Rad	1.4	1.8	2.2	2.7	3.7
Max Rad	2.7	3.6	4.7	5.7	6.7

	BLANK J 375 x 375				
Neck Vel	1.0	1.5	2.0	2.5	3.0
Pressure	5	9	15	23	33
Volume	46	70	93	116	139
No Level	< 20	< 20	< 20	23	28
Min Rad	0.8	1.0	1.4	1.8	2.3
Max Rad	1.7	2.0	2.9	3.6	4.7

	BLANK J 225 x 225				
Neck Vel	1.0	1.5	2.0	2.5	3.0
Pressure	5	9	15	23	33
Volume	114	171	228	285	342
No Level	< 20	< 20	23	27	30
Min Rad	1.3	1.7	2.0	2.5	3.1
Max Rad	2.4	3.2	4.1	4.8	5.5

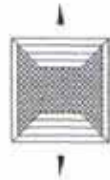
DF Core 41 For 450 x 450 Neck - o/a 600 x 600
Regular 8mm & 16mm Drop 450 x 450 Neck - o/a 600 x 600
DE Core 41 For 450 x 450 Neck - o/a 525 x 525



TYPE D

	BLANK D				
	1.0	1.5	2.0	2.5	3.0
Neck Vel	5	9	15	23	33
Pressure	101	152	203	253	304
Volume	< 20	< 20	24	29	33
No Level	1.8	2.2	2.7	3.5	4.3
Min Rad	3.7	4.0	5.5	6.7	8.5

	BLANK H 300 x 300				
	1.0	1.5	2.0	2.5	3.0
Neck Vel	5	9	15	23	33
Pressure	56	84	113	141	169
Volume	< 20	< 20	20	25	29
No Level	1.0	1.5	2.0	2.5	2.7
Min Rad	1.9	2.5	3.5	5.0	5.5



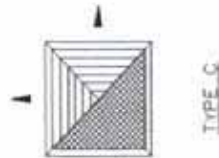
TYPE H

	BLANK H 150 x 150				
	1.0	1.5	2.0	2.5	3.0
Neck Vel	5	9	15	23	33
Pressure	90	135	180	225	270
Volume	< 20	< 20	23	28	32
No Level	1.5	2.0	2.2	2.5	3.5
Min Rad	2.4	3.5	5.0	6.0	7.5

	BLANK H 375 x 375				
	1.0	1.5	2.0	2.5	3.0
Neck Vel	5	9	15	23	33
Pressure	31	46	62	77	93
Volume	< 20	< 20	< 20	22	26
No Level	0.8	1.2	1.5	2.0	2.3
Min Rad	1.7	2.2	3.0	4.0	4.5

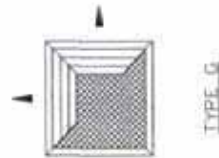
	BLANK H 225 x 225				
	1.0	1.5	2.0	2.5	3.0
Neck Vel	5	9	15	23	33
Pressure	76	114	152	190	228
Volume	< 20	< 20	22	27	31
No Level	1.2	1.8	2.0	2.5	3.1
Min Rad	2.1	3.0	4.2	5.7	6.5

DF Core 41 For 450 x 450 Neck - o/a 600 x 600
Tegular 8mm & 16mm Drop 450 x 450 Neck - o/a 600 x 600
DE Core 41 For 450 x 450 Neck - o/a 525 x 525



	BLANK C				
	1.0	1.5	2.0	2.5	3.0
Neck Vel	5	9	15	23	33
Pressure	101	152	203	253	304
No Level	< 20	< 20	24	29	33
Min Rad	1.8	2.2	2.7	3.5	4.3
Max Rad	3.7	4.0	5.5	6.7	8.5

	BLANK G 300 x 300				
	1.0	1.5	2.0	2.5	3.0
Neck Vel	5	9	15	23	33
Pressure	56	84	113	141	169
No Level	< 20	< 20	20	25	29
Min Rad	1.0	1.5	2.0	2.5	2.7
Max Rad	1.9	2.5	3.5	5.0	5.5

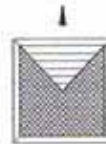


	BLANK G 150 x 150				
	1.0	1.5	2.0	2.5	3.0
Neck Vel	5	9	15	23	33
Pressure	90	135	180	225	270
No Level	< 20	< 20	23	28	32
Min Rad	1.5	2.0	2.2	2.5	3.5
Max Rad	2.4	3.5	5.0	6.0	7.5

	BLANK G 375 x 375				
	1.0	1.5	2.0	2.5	3.0
Neck Vel	5	9	15	23	33
Pressure	31	46	62	77	93
No Level	< 20	< 20	< 20	22	26
Min Rad	0.8	1.2	1.5	2.0	2.3
Max Rad	1.7	2.2	3.0	4.0	4.5

	BLANK G 225 x 225				
	1.0	1.5	2.0	2.5	3.0
Neck Vel	5	9	15	23	33
Pressure	76	114	152	190	228
No Level	< 20	< 20	22	27	31
Min Rad	1.2	1.8	2.0	2.5	3.1
Max Rad	2.1	3.0	4.2	5.7	6.5

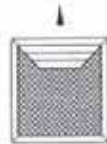
DF Core 41 For 450 x 450 Neck - o/a 600 x 600
Tegular 8mm & 16mm Drop 450 x 450 Neck - o/a 600 x 600
DE Core 41 For 450 x 450 Neck - o/a 525 x 525



TYPE F

	BLANK F				
	1.0	1.5	2.0	2.5	3.0
Neck Vel	5	9	15	23	33
Pressure	51	76	101	127	152
Ne Level	< 20	< 20	20	25	29
Min Rad	1.5	2.0	2.5	3.5	4.0
Max Rad	3.0	4.0	5.5	6.5	8.0

	BLANK K 300 x 300				
	1.0	1.5	2.0	2.5	3.0
Neck Vel	5	9	15	23	33
Pressure	28	42	56	70	84
Ne Level	< 20	< 20	< 20	21	25
Min Rad	1.1	1.6	2.2	2.8	3.1
Max Rad	2.3	3.5	4.2	5.3	6.4



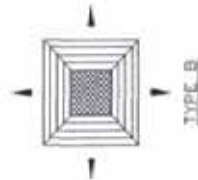
TYPE K

	BLANK K 150 x 150				
	1.0	1.5	2.0	2.5	3.0
Neck Vel	5	9	15	23	33
Pressure	45	68	90	113	135
Ne Level	< 20	< 20	< 20	24	27
Min Rad	1.4	1.9	2.4	3.3	3.8
Max Rad	2.8	3.9	5.3	6.2	7.6

	BLANK K 375 x 375				
	1.0	1.5	2.0	2.5	3.0
Neck Vel	5	9	15	23	33
Pressure	15	23	31	39	46
Ne Level	< 20	< 20	< 20	< 20	23
Min Rad	0.8	1.3	1.9	2.1	2.5
Max Rad	1.8	2.3	3.4	4.4	5.3

	BLANK K 225 x 225				
	1.0	1.5	2.0	2.5	3.0
Neck Vel	5	9	15	23	33
Pressure	38	57	76	95	114
Ne Level	< 20	< 20	< 20	22	26
Min Rad	1.2	1.8	2.3	3.1	3.5
Max Rad	2.5	3.7	4.8	5.8	6.7

DF Core 41 For 525 x 525 Neck - o/a 675 x 675
DE Core 41 For 525 x 525 Neck - o/a 600 x 600



	UNBLANKED			
	1.0	1.5	2.0	2.5
Neck Vel	5	9	15	23
Pressure	276	413	551	689
Volume	20	25	31	36
Nc Level	2.0	2.5	3.0	4.0
Min Rad	3.5	5.0	6.0	8.0
Max Rad				9.0

	BLANK B 300 x 300			
	1.0	1.5	2.0	2.5
Neck Vel	5	9	15	23
Pressure	186	278	371	464
Volume	<20	20	27	32
Nc Level	1.6	2.0	2.4	3.3
Min Rad	3.3	3.9	4.9	6.3
Max Rad				7.6

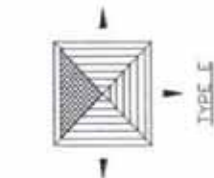
	BLANK B 150 x 150			
	1.0	1.5	2.0	2.5
Neck Vel	5	9	15	23
Pressure	253	380	506	633
Volume	<20	24	30	35
Nc Level	1.8	2.4	2.8	3.8
Min Rad	3.3	4.7	5.8	7.5
Max Rad				8.7

	BLANK B 375 x 375			
	1.0	1.5	2.0	2.5
Neck Vel	5	9	15	23
Pressure	135	203	270	338
Volume	<20	<20	23	28
Nc Level	1.5	1.8	1.9	2.4
Min Rad	2.8	3.4	4.4	5.4
Max Rad				6.4

	BLANK B 225 x 225			
	1.0	1.5	2.0	2.5
Neck Vel	5	9	15	23
Pressure	225	338	450	563
Volume	<20	23	29	34
Nc Level	1.6	2.1	2.6	3.6
Min Rad	3.2	4.3	5.3	7.0
Max Rad				8.3

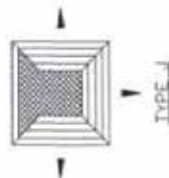
	BLANK B 450 x 450			
	1.0	1.5	2.0	2.5
Neck Vel	5	9	15	23
Pressure	73	110	146	183
Volume	<20	<20	<20	22
Nc Level	0.9	1.3	1.8	2.0
Min Rad	1.5	2.3	3.1	4.1
Max Rad				4.9

DF Core 41 For 525 x 525 Neck - o/a 675 x 675
DE Core 41 For 525 x 525 Neck - o/a 600 x 600



	BLANK E				
	1.0	1.5	2.0	2.5	3.0
Neck Vel	5	9	15	23	33
Pressure	207	310	413	517	620
Ne Level	<20	21	27	32	35
Min Rad	2.5	3.0	3.3	3.7	4.5
Max Rad	5.6	6.2	6.4	7.0	9.0

	BLANK J 300 x 300				
	1.0	1.5	2.0	2.5	3.0
Neck Vel	5	9	15	23	33
Pressure	139	209	278	348	418
Ne Level	<20	<20	25	30	34
Min Rad	1.6	2.0	2.3	3.0	3.7
Max Rad	3.2	3.7	4.2	5.7	7.0



	BLANK J 150 x 150				
	1.0	1.5	2.0	2.5	3.0
Neck Vel	5	9	15	23	33
Pressure	190	285	380	475	570
Ne Level	<20	20	26	31	35
Min Rad	2.2	2.6	3.0	3.4	4.2
Max Rad	4.8	5.2	5.4	6.5	8.3

	BLANK J 375 x 375				
	1.0	1.5	2.0	2.5	3.0
Neck Vel	5	9	15	23	33
Pressure	101	152	203	253	304
Ne Level	<20	<20	23	28	31
Min Rad	1.3	1.7	2.0	2.4	3.0
Max Rad	2.5	3.0	3.8	4.7	5.5



	BLANK J 225 x 225				
	1.0	1.5	2.0	2.5	3.0
Neck Vel	5	9	15	23	33
Pressure	169	253	338	422	506
Ne Level	<20	<20	24	30	34
Min Rad	1.9	2.3	2.7	3.2	3.9
Max Rad	3.0	4.2	4.7	6.2	6.5

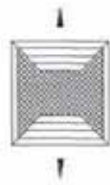
	BLANK J 450 x 450				
	1.0	1.5	2.0	2.5	3.0
Neck Vel	5	9	15	23	33
Pressure	55	82	110	137	165
Ne Level	<20	<20	20	25	29
Min Rad	0.7	1.0	1.5	2.0	2.3
Max Rad	1.8	2.2	3.0	3.7	4.7

DF Core 41 For 525 x 525 Neck - o/a 675 x 675
DE Core 41 For 525 x 525 Neck - o/a 600 x 600



TYPE D

	BLANK D			
	1.0	1.5	2.0	2.5
Neck Vel	138	207	276	345
Pressure	<20	<20	25	30
Volume	2.0	2.4	2.9	3.9
Min Rad	3.2	4.4	5.9	7.4
Max Rad	3.0	3.3	4.13	34



TYPE H

	BLANK H 150 x 150			
	1.0	1.5	2.0	2.5
Neck Vel	127	190	253	316
Pressure	<20	<20	24	29
Volume	1.8	2.3	2.6	3.5
Min Rad	2.9	4.2	5.6	6.8
Max Rad	3.0	3.3	4.4	8.8

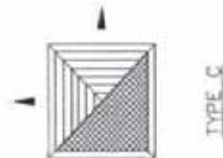
	BLANK H 300 x 300			
	1.0	1.5	2.0	2.5
Neck Vel	93	139	186	232
Pressure	<20	<20	23	28
Volume	1.5	2.0	2.2	2.5
Min Rad	2.4	3.5	5.0	6.0
Max Rad	3.0	3.3	4.13	32

	BLANK H 375 x 375			
	1.0	1.5	2.0	2.5
Neck Vel	68	101	135	169
Pressure	<20	<20	21	25
Volume	1.2	1.8	2.1	2.5
Min Rad	2.0	3.0	4.5	5.2
Max Rad	3.0	3.3	4.13	6.2

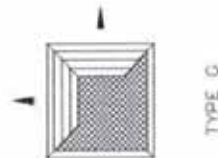
	BLANK H 225 x 225			
	1.0	1.5	2.0	2.5
Neck Vel	113	169	225	281
Pressure	<20	<20	23	28
Volume	1.6	2.2	2.3	3.0
Min Rad	2.6	3.8	5.3	6.3
Max Rad	3.0	3.3	4.13	8.2

	BLANK H 450 x 450			
	1.0	1.5	2.0	2.5
Neck Vel	37	55	73	91
Pressure	<20	<20	<20	23
Volume	0.8	1.3	2.3	2.4
Min Rad	1.6	2.3	4.8	4.5
Max Rad	3.0	3.3	4.13	5.0

DF Core 41 For 525 x 525 Neck - o/a 675 x 675
DE Core 41 For 525 x 525 Neck - o/a 600 x 600



	BLANK C					
	1.0	1.5	2.0	2.5	3.0	3.0
Neck Vel	5	9	15	23	33	33
Pressure	138	207	276	345	413	413
Volume	<20	<20	25	30	34	34
Ne Level	2.0	2.4	2.9	3.9	4.9	4.9
Min Rad	3.2	4.4	5.9	7.4	9.4	9.4
Max Rad						



	BLANK G 150 x 150					
	1.0	1.5	2.0	2.5	3.0	3.0
Neck Vel	5	9	15	23	33	33
Pressure	127	190	253	316	380	380
Volume	<20	<20	24	29	34	34
Ne Level	1.8	2.3	2.6	3.5	4.4	4.4
Min Rad	2.9	4.2	5.6	6.8	8.8	8.8
Max Rad						

	BLANK G 300 x 300					
	1.0	1.5	2.0	2.5	3.0	3.0
Neck Vel	5	9	15	23	33	33
Pressure	93	139	186	232	278	278
Volume	<20	<20	23	28	32	32
Ne Level	1.5	2.0	2.2	2.5	3.5	3.5
Min Rad	2.4	3.5	5.0	6.0	7.5	7.5
Max Rad						

	BLANK G 375 x 375					
	1.0	1.5	2.0	2.5	3.0	3.0
Neck Vel	5	9	15	23	33	33
Pressure	68	101	135	169	203	203
Volume	<20	<20	21	25	30	30
Ne Level	1.2	1.8	2.1	2.5	3.0	3.0
Min Rad	2.0	3.0	4.5	5.2	6.2	6.2
Max Rad						

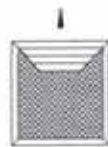
	BLANK G 225 x 225					
	1.0	1.5	2.0	2.5	3.0	3.0
Neck Vel	5	9	15	23	33	33
Pressure	113	169	225	281	338	338
Volume	<20	<20	23	28	33	33
Ne Level	1.6	2.2	2.3	3.0	3.9	3.9
Min Rad	2.6	3.8	5.3	6.3	8.2	8.2
Max Rad						

	BLANK G 450 x 450					
	1.0	1.5	2.0	2.5	3.0	3.0
Neck Vel	5	9	15	23	33	33
Pressure	37	55	73	91	110	110
Volume	<20	<20	<20	23	28	28
Ne Level	0.8	1.3	2.3	2.3	2.4	2.4
Min Rad	1.6	2.3	4.8	4.5	5.0	5.0
Max Rad						

DF Core 41 For 525 x 525 Neck - o/a 675 x 675
DE Core 41 For 525 x 525 Neck - o/a 600 x 600



TYPE L



TYPE K

	BLANK F				
	1.0	1.5	2.0	2.5	3.0
Neck Vel	5	9	15	23	33
Pressure	69	103	138	172	207
No Level	<20	<20	22	27	31
Min Rad	1.4	2.4	3.4	4.4	4.9
Max Rad	4.4	5.4	6.4	8.4	9.8

	BLANK K 150 x 150				
	1.0	1.5	2.0	2.5	3.0
Neck Vel	5	9	15	23	33
Pressure	63	95	127	158	190
No Level	<20	<20	21	26	30
Min Rad	1.4	2.2	3.0	4.0	4.5
Max Rad	3.7	4.7	5.8	7.5	8.9

	BLANK K 225 x 225				
	1.0	1.5	2.0	2.5	3.0
Neck Vel	5	9	15	23	33
Pressure	56	84	113	141	169
No Level	<20	<20	20	25	29
Min Rad	1.5	2.1	2.6	3.6	4.1
Max Rad	3.0	4.1	5.6	6.6	8.0

	BLANK K 300 x 300				
	1.0	1.5	2.0	2.5	3.0
Neck Vel	5	9	15	23	33
Pressure	46	70	93	116	139
No Level	<20	<20	<20	24	27
Min Rad	1.4	1.9	2.4	3.3	3.8
Max Rad	2.8	3.9	5.3	6.2	7.6

	BLANK K 375 x 375				
	1.0	1.5	2.0	2.5	3.0
Neck Vel	5	9	15	23	33
Pressure	34	51	68	84	101
No Level	<20	<20	<20	21	25
Min Rad	1.1	1.6	2.2	2.8	3.1
Max Rad	2.3	3.5	4.2	5.3	6.4

	BLANK K 450 x 450				
	1.0	1.5	2.0	2.5	3.0
Neck Vel	5	9	15	23	33
Pressure	18	27	37	46	55
No Level	<20	<20	<20	<20	23
Min Rad	0.8	1.3	1.9	2.1	2.5
Max Rad	1.8	2.3	3.4	4.4	5.3